



Chipsmall Limited consists of a professional team with an average of over 10 year of expertise in the distribution of electronic components. Based in Hongkong, we have already established firm and mutual-benefit business relationships with customers from,Europe,America and south Asia,supplying obsolete and hard-to-find components to meet their specific needs.

With the principle of “Quality Parts,Customers Priority,Honest Operation,and Considerate Service”,our business mainly focus on the distribution of electronic components. Line cards we deal with include Microchip,ALPS,ROHM,Xilinx,Pulse,ON,Everlight and Freescale. Main products comprise IC,Modules,Potentiometer,IC Socket,Relay,Connector.Our parts cover such applications as commercial,industrial, and automotives areas.

We are looking forward to setting up business relationship with you and hope to provide you with the best service and solution. Let us make a better world for our industry!



## Contact us

Tel: +86-755-8981 8866 Fax: +86-755-8427 6832

Email & Skype: info@chipsmall.com Web: www.chipsmall.com

Address: A1208, Overseas Decoration Building, #122 Zhenhua RD., Futian, Shenzhen, China



## 2.5V-3.3V Low-Skew 1-4 PECL Fanout Buffer

### FEATURES

- Four differential 2.5V/3.3V LVPECL output pairs.
- Output Frequency:  $\leq 266$  MHz.
- Selectable CLK0 or CLK1 inputs for redundant and multiple frequency fanout applications
- Translates single-ended LVCMOS or LVTTTL input to 3.3V or 2.5V LVPECL differential outputs.
- Output Skew: 25ps (typ).
- Part-to-part skew: 85ps (typ).
- Propagation delay: 0.7ns (typ).
- Additive Jitter: 50 fs (typ).
- Operating Supply Voltage: 2.375V ~ 3.63V.
- Operating temperature range from  $-40^{\circ}\text{C}$  to  $85^{\circ}\text{C}$ .
- Package availability: 16-pin QFN and 20-pin TSSOP

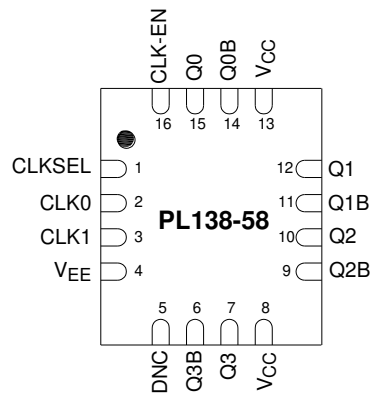
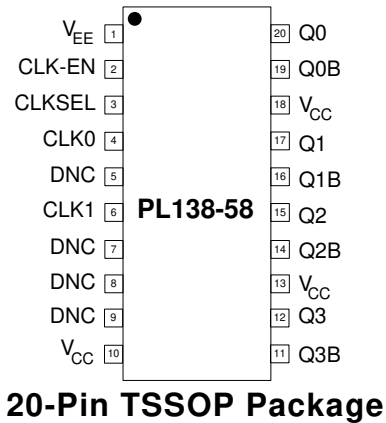
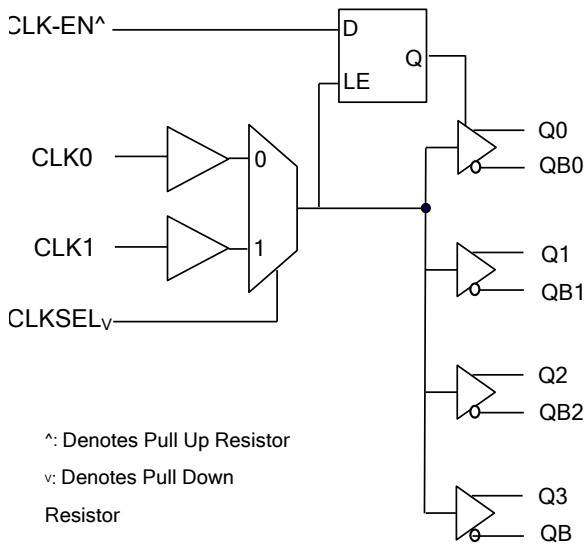
### DESCRIPTION

The PL138-58 is a high performance low-cost 1: 4 outputs Differential LVPECL fanout buffer, with very low-skew and LVCMOS/LVTTTL input interface for 3.3V and 2.5V operations.

PL138-58's two single-ended clock inputs are designed to accept a standard LVCMOS or LVTTTL signal levels and produce a high quality set of 2.5V or 3.3V LVPECL outputs with the lowest possible skew, guaranteed for part-to-part or lot-to lot. The clock enable is internally synchronized to assure no runt clock pulses on the output during asynchronous assertion/deassertion of the clock enable pin.

Designed to fit in a small form-factor package, PL138 family offers very low-power consumption, and the lowest additive jitter of any comparable device.

### BLOCK DIAGRAM



**2.5V-3.3V Low-Skew 1-4 PECL Fanout Buffer**
**PIN DESCRIPTIONS**

Name	Package Pin #		Type	Description
	QFN-16	TSSOP-20		
V <sub>CC</sub>	8, 13	10, 13, 18	P	Power Supply pin connection
QB0 ~ QB3	6, 9, 11, 14	11, 14, 16, 19	O	LVPECL Complementary output
Q0 ~ Q3	7, 10, 12, 15	12, 15, 17, 20	O	LVPECL True output
V <sub>EE</sub>	4	1	P	Power Supply pin connection
CLK-EN	16	2	I	Synchronizing clock enable. When HIGH, clock outputs follow clock input. When LOW, Q outputs are forced low, QB outputs are forced high. LVCMOS / LVTTTL interface levels. 50kΩ Internal Pull-Up Resistor.
CLK-SEL	1	3	I	Clock select input. When HIGH, selects CLK1 input. When LOW, selects CLK0 input. LVCMOS / LVTTTL interface levels. 50kΩ Internal Pull-Down Resistor.
CLK0	2	4	I	LVCMOS, LVTTTL Clock input.
DNC	5	5, 7, 8, 9	-	Do Not Connect.
CLK1	3	6	I	LVCMOS, LVTTTL Clock input.

**INPUT CLOCK CONTROL FUNCTION**

Inputs			Outputs	
CLK-EN	CLKSEL	Source	Q0:Q3	Q0B:Q3B
0	0	CLK0	Disabled Low	Disabled High
0	1	CLK1	Disabled Low	Disabled High
1	0	CLK0	Enabled	Enabled
1	1	CLK1	Enabled	Enabled

**2.5V-3.3V Low-Skew 1-4 PECL Fanout Buffer**
**ELECTRICAL SPECIFICATIONS**
**Absolute Maximum Ratings**

PARAMETERS	SYMBOL	MIN.	MAX.	UNITS
Supply Voltage	$V_{DD}$		4.6	V
Input Voltage, dc	$V_I$	-0.5	$V_{DD}+0.5$	V
Output Voltage, dc	$V_O$	-0.5	$V_{DD}+0.5$	V
Storage Temperature	$T_S$	-65	150	°C
Ambient Operating Temperature*	$T_A$	-40	85	°C
Junction Temperature	$T_J$		110	°C
Lead Temperature (soldering, 10s)			260	°C
ESD Protection, Human Body Model	2			kV

Exposure of the device under conditions beyond the limits specified by Maximum Ratings for extended periods may cause permanent damage to the device and affect product reliability. These conditions represent a stress rating only, and functional operations of the device at these or any other conditions above the operational limits noted in this specification is not implied.

\* **Note:** Operating Temperature is guaranteed by design for all parts (COMMERCIAL and INDUSTRIAL), but tested for COMMERCIAL grade only.

**DC CHARACTERISTICS,  $V_{CC} = 3.3V \pm 10\%$ ;  $V_{EE} = 0V$ ;  $T_A = -40^\circ C$  TO  $+85^\circ C$** 

PARAMETER	SYMBOL	-40°C			25°C			80°C			UNITS
		MIN	TYP	MAX	MIN	TYP	MAX	MIN	TYP	MAX	
Output High Voltage*	$V_{OH}$	2.215	2.320	2.420	2.275	2.350	2.420	2.275	2.35	2.420	V
Output Low Voltage*	$V_{OL}$	1.470	1.610	1.745	1.490	1.585	1.680	1.490	1.585	1.680	V
Input High Voltage†	$V_{IH}$	$0.7V_{CC}$		$V_{CC}+0.3$	$0.7V_{CC}$		$V_{CC}+0.3$	$0.7V_{CC}$		$V_{CC}+0.3$	V
Input Low Voltage†	$V_{IL}$	-0.3		$0.3V_{CC}$	-0.3		$0.3V_{CC}$	-0.3		$0.3V_{CC}$	V
Input High Current	$I_{IH}$			200			200			200	μA
Input Low Current	$I_{IL}$	-150			-150			-150			μA

**DC CHARACTERISTICS,  $V_{CC} = 2.5V \pm 5\%$ ;  $V_{EE} = 0V$ ;  $T_A = -40^\circ C$  TO  $+85^\circ C$** 

PARAMETER	SYMBOL	-40°C			25°C			80°C			UNITS
		MIN	TYP	MAX	MIN	TYP	MAX	MIN	TYP	MAX	
Output High Voltage*	$V_{OH}$	1.415	1.520	1.620	1.475	1.550	1.620	1.475	1.55	1.620	V
Output Low Voltage*	$V_{OL}$	0.670	0.810	0.945	0.690	0.785	0.880	0.690	0.785	0.880	V
Input High Voltage†	$V_{IH}$	$0.7V_{CC}$		$V_{CC}+0.3$	$0.7V_{CC}$		$V_{CC}+0.3$	$0.7V_{CC}$		$V_{CC}+0.3$	V
Input Low Voltage†	$V_{IL}$	-0.3		$0.3V_{CC}$	-0.3		$0.3V_{CC}$	-0.3		$0.3V_{CC}$	V
Input High Current	$I_{IH}$			150			150			150	μA
Input Low Current	$I_{IL}$	-120			-120			-120			μA

Input and output parameters vary 1:1 with  $V_{CC}$ .  $V_{EE}$  can vary +0.925V to -0.5V.

Input parameters vary with the ratio of  $V_I : (V_{CC} - V_{EE})$

\* Outputs terminated with  $50\Omega$  to  $V_{CCO} - 2V$ .

†  $V_{IH}/V_{IL}$  apply to CLK0, CLK1, CLKEN, CLKSEL.

**2.5V-3.3V Low-Skew 1-4 PECL Fanout Buffer**
**AC Electrical Characteristics**
 $V_{CC} = -3.8V \text{ to } -2.375V \text{ or, } V_{CC} = 2.375V \text{ to } 3.8V; V_{EE} = 0V, T_A = -40^{\circ}C \text{ to } 85^{\circ}C$ 

PARAMETER	SYMBOL	-40°C			25°C			80°C			UNITS
		MIN	TYP	MAX	MIN	TYP	MAX	MIN	TYP	MAX	
Output Frequency	$f_{MAX}$			266			266			266	MHz
Propagation Delay*	$t_{PD}$	570	700	800	610	740	840	650	810	940	ps
Output Skew ** †	$tsk(o)$		25	37		25	37		25	37	ps
Part-to-Part Skew *** †	$tsk(pp)$		85	225		85	225		85	225	ps
Buffer Additive Phase Jitter, RMS; refer to Additive Phase Jitter Section	$t_{APJ}$			100			100			100	fs
Output Rise/Fall Time	20% to 80% $t_R / t_F$			300			300			300	ps

All parameters are measured at  $f \leq 266\text{MHz}$ , unless otherwise noted.

\* Measured from the differential input crossing point to the differential output crossing point.

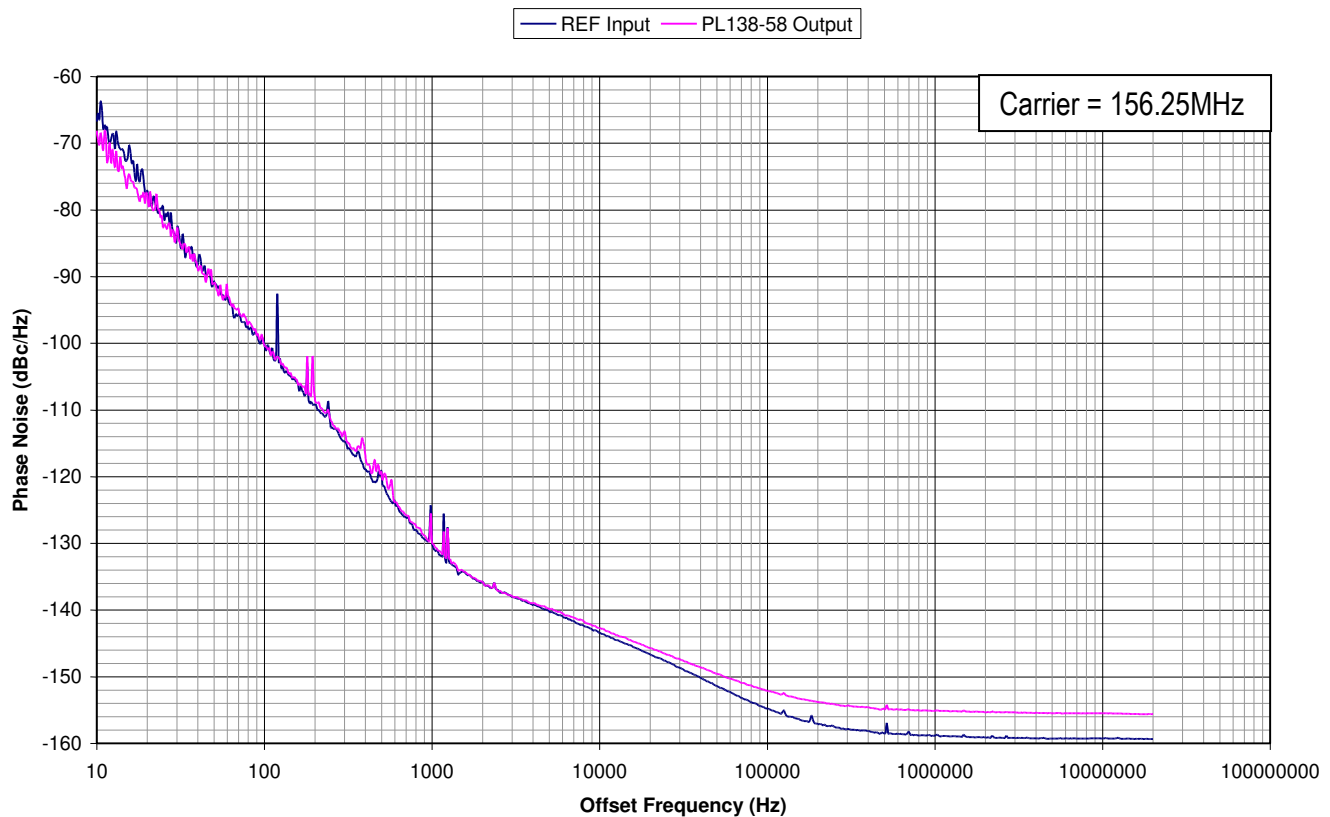
\*\* Defined as skew between outputs at the same supply voltage and with equal load conditions. Measured at the output differential cross points.

\*\*\* Defined as skew between outputs on different devices operating at the same supply voltages and with equal load conditions. Using the same type of inputs on each device, the outputs are measured at the differential cross points.

† This parameter is defined in accordance with JEDEC Standard 65.

### NOISE CHARACTERISTICS (Commercial and Industrial Temperature Devices)

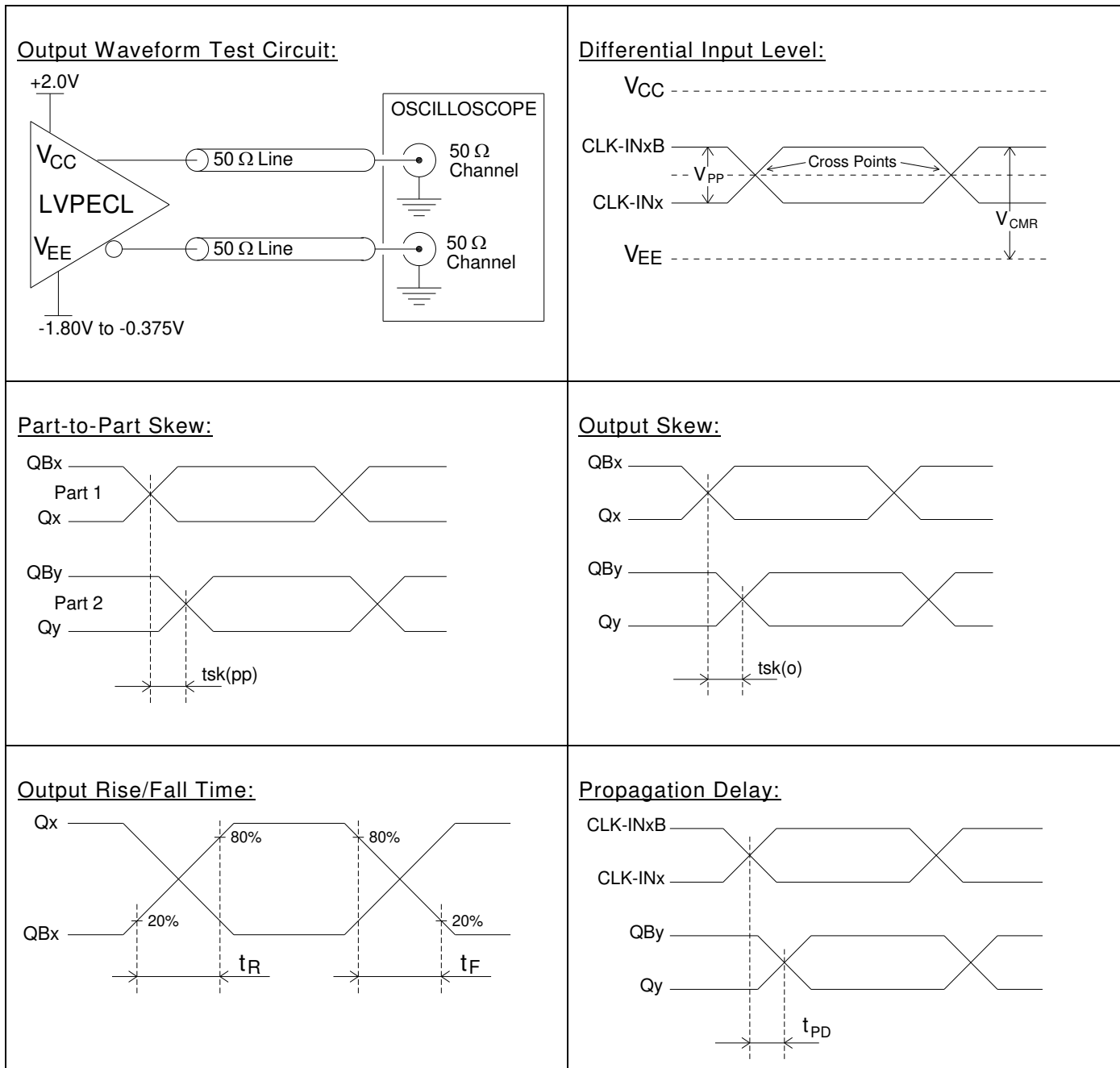
Parameter	Description	Test Conditions	Min.	Typ.	Max.	Unit
$t_{APJ}$	Additive Phase Jitter	$V_{DD}=3.3V$ , Frequency=156.25MHz Offset=12KHz ~ 20MHz		50	100	fs
		$V_{DD}=3.3V$ , Frequency=25MHz Offset=1KHz ~ 1MHz		50	100	fs



When a buffer is used to pass a signal then the buffer will add a little bit of its own noise. The phase noise on the output of the buffer will be a little bit more than the phase noise in the input signal. To quantify the noise addition in the buffer we compare the Phase Jitter numbers from the input and the output. The difference is called "Additive Phase Jitter". The formula for the Additive Phase Jitter is as follows:

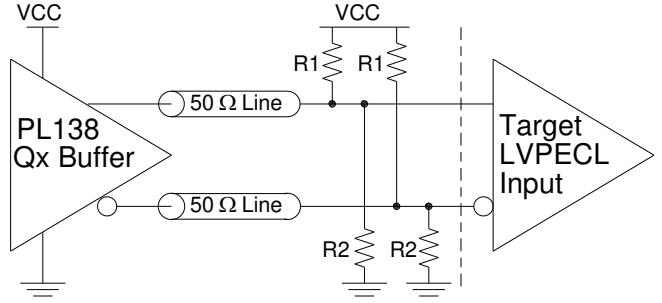
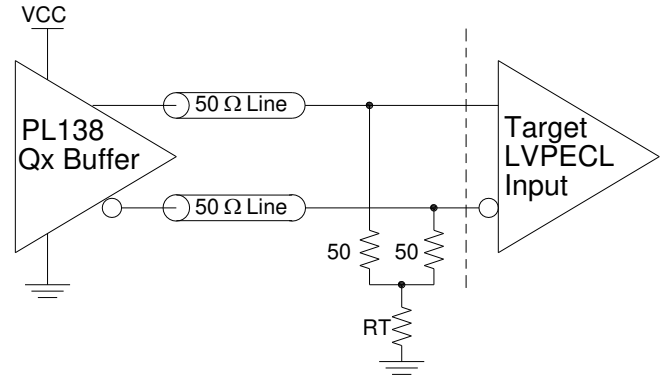
$$\text{Additive Phase Jitter} = \sqrt{(\text{Output Phase Jitter})^2 - (\text{Input Phase Jitter})^2}$$

### PARAMETER MEASUREMENT INFORMATION



### TERMINATION FOR LVPECL OUTPUTS

The required termination for LVPECL is  $50\Omega$  to a  $V_{CC}-2V$  DC voltage level. Below are two schematics to implement this termination.

LVPECL Termination Schematic #1:	LVPECL Termination Schematic #2:
	
<p>VCC=3.3V, Ideal values: <math>R1=127\Omega</math> , <math>R2=82.5\Omega</math>            Commercial values (E24): <math>R1=130\Omega</math> , <math>R2=82\Omega</math>            VCC=2.5V, Ideal values: <math>R1=250\Omega</math> , <math>R2=62.5\Omega</math>            Commercial values (E24): <math>R1=240\Omega</math> , <math>R2=62\Omega</math></p>	<p>Schematic #2 is an alternative simplified termination.            VCC=3.3V, Ideal value: <math>RT=48.7\Omega</math>            Commercial value: <math>RT=50\Omega</math> (E24: <math>51\Omega</math>)            VCC=2.5V, Ideal value: <math>RT=18.7\Omega</math>            Commercial value: <math>RT=18\Omega</math></p>



## 2.5V-3.3V Low-Skew 1-4 PECL Fanout Buffer

### POWER CONSIDERATIONS

Driving LVPECL outputs requires an amount of power that can warm up the chip significantly.

The general requirement for the chip is that the junction temperature should not exceed +110°C.

The power consumption can be divided into two parts:

- 1) Core power dissipation
- 2) Output buffers power dissipation

### CORE POWER DISSIPATION

The chip core power is equal to  $VCC \times IEE$ . With a worst case VCC and IEE the power dissipation in the core is  $3.63V \times 65mA = 236mW$ .

### OUTPUT BUFFER POWER DISSIPATION

The output buffers are not exposed to the full VCC-VEE voltage. On the differential output, one line is at logic 1 with a small voltage across the buffer and a large output current. The other line is at logic 0 with a larger voltage across the buffer and a smaller output current. The power dissipation per output buffer is 32mW. Only buffers that are loaded will have power dissipation. With all 4 buffers loaded the worst case output buffer power dissipation will be 128mW.

Total Chip Power Dissipation, worst case, is  $236mW + 128mW = 364mW$ .

### JUNCTION TEMPERATURE

How much the chip is warmed up from the power dissipation depends upon the thermal resistance from the chip to the environment, also known as "junction to ambient". The thermal resistance depends upon the type of package, how the package is assembled to the PCB and if there is additional air flow for improved cooling. For the LQFP package with use of the Thermal Relief pad, the thermal resistance is as follows:

TSSOP 20-pin Package	Air Flow Velocity in Linear Feet per Minute		
	0	200	500
JEDEC Standard Multi Layer PCB	$\theta_{JA} = 73^{\circ}C/W$	$\theta_{JA} = 67^{\circ}C/W$	$\theta_{JA} = 64^{\circ}C/W$

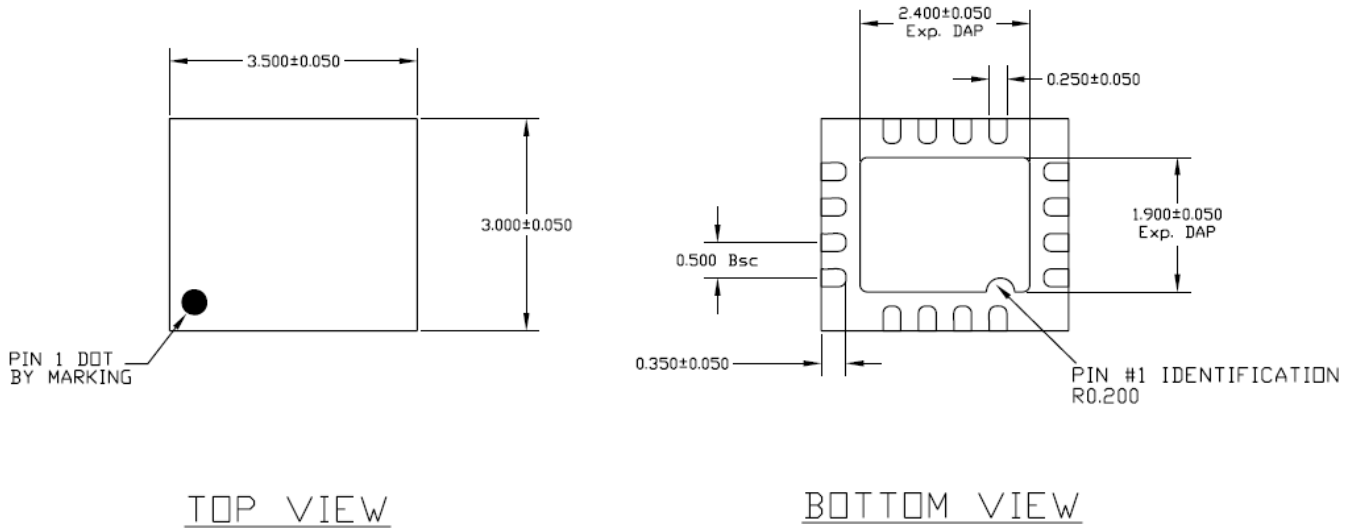
The temperature of the chip (junction) will be higher than the environment (ambient) with an amount equal to  $\theta_{JA} \times$  Power. For an ambient temperature of +70°C, all outputs loaded and no air flow, the junction temperature  $T_J = 70^{\circ}C + 73 \times 0.364 = 97^{\circ}C$ .

QFN 16-pin Package	Air Flow Velocity in Linear Feet per Minute		
	0	200	500
JEDEC Standard Multi Layer PCB	$\theta_{JA} = 60^{\circ}C/W$	$\theta_{JA} = 53^{\circ}C/W$	$\theta_{JA} = 46^{\circ}C/W$

The temperature of the chip (junction) will be higher than the environment (ambient) with an amount equal to  $\theta_{JA} \times$  Power. For an ambient temperature of +85°C, all outputs loaded and no air flow, the junction temperature  $T_J = 85^{\circ}C + 60 \times 0.364 = 107^{\circ}C$ .

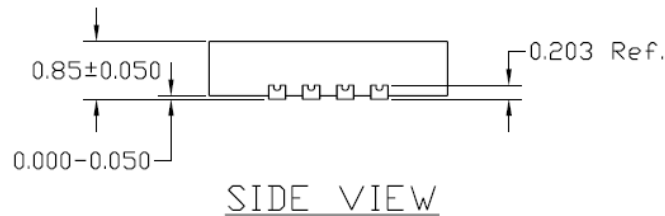
### PACKAGE DRAWING (GREEN PACKAGE COMPLIANT)

**QFN 16L 3.0 X 3.5 mm**



TOP VIEW

BOTTOM VIEW

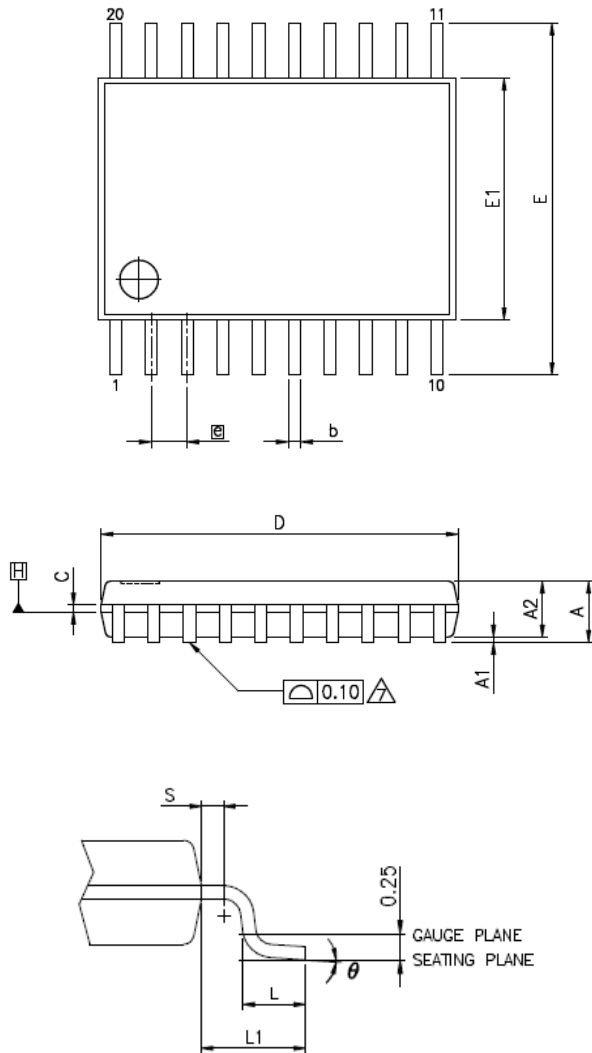


SIDE VIEW

**NOTE:**

1. ALL DIMENSIONS ARE IN MILLIMETERS.
2. MAX. PACKAGE WARPAGE IS 0.05 mm.
3. MAXIMUM ALLOWABLE BURRS IS 0.076 mm IN ALL DIRECTIONS.
4. PIN #1 ID ON TOP WILL BE LASER MARKED.

### TSSOP173 20L



VARIATIONS (ALL DIMENSIONS SHOWN IN MM)

SYMBOLS	MIN.	NOM.	MAX.
A	-	-	1.20
A1	0.05	-	0.15
A2	0.80	0.90	1.05
b	0.19	-	0.30
C	0.09	-	0.20
D	6.40	6.50	6.60
E1	4.30	4.40	4.50
E	6.40 BSC		
$\square$	0.65 BSC		
L1	1.00 REF		
L	0.50	0.60	0.75
S	0.20	-	-
$\theta$	0°	-	8°

**NOTES:**

- JEDEC OUTLINE :  
STANDARD : MO-153 AC REV.F  
THERMALLY ENHANCED : MO-153 ACT REV.F
- DIMENSION 'D' DOES NOT INCLUDE MOLD FLASH, PROTRUSIONS OR GATE BURRS. MOLD FLASH, PROTRUSIONS OR GATE BURRS SHALL NOT EXCEED 0.15 PER SIDE.
- DIMENSION 'E1' DOES NOT INCLUDE INTERLEAD FLASH OR PROTRUSION. INTERLEAD FLASH OR PROTRUSION SHALL NOT EXCEED 0.25 PER SIDE.
- DIMENSION 'b' DOES NOT INCLUDE DAMBAR PROTRUSION. ALLOWABLE DAMBAR PROTRUSION SHALL BE 0.08 MM TOTAL IN EXCESS OF THE 'b' DIMENSION AT MAXIMUM MATERIAL CONDITION. DAMBAR CANNOT BE LOCATED ON THE LOWER RADIUS OF THE FOOT. MINIMUM SPACE BETWEEN PROTRUSION AND ADJACENT LEAD IS 0.07 MM.
- DIMENSIONS 'D' AND 'E1' TO BE DETERMINED AT DATUM PLANE  $\square$ .

### ORDERING INFORMATION (GREEN PACKAGE)

*For part ordering, please contact our Sales Department:*

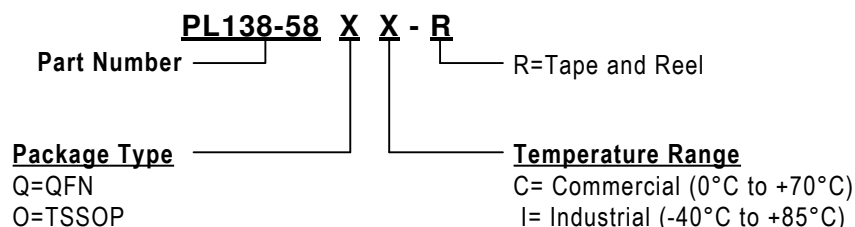
2180 Fortune Drive, San Jose, CA 95131, USA

Tel: (408) 944-0800 Fax: (408) 474-1000

#### PART NUMBER

The order number for this device is a combination of the following:

Part number, Package type and Operating temperature range



Part/Order Number	Marking	Package Option
PL138-58QC	P138 58 LLLLL	16-Pin QFN
PL138-58QI	P138 58I LLLLL	16-Pin QFN
PL138-58OC	P138-58 OC LLLLL	20-Pin TSSOP (Tube)

\*Note: LLLLL designates lot number

Micrel Inc., reserves the right to make changes in its products or specifications, or both at any time without notice. The information furnished by Micrel is believed to be accurate and reliable. However, Micrel makes no guarantee or warranty concerning the accuracy of said information and shall not be responsible for any loss or damage of whatever nature resulting from the use of, or reliance upon this product.

**LIFE SUPPORT POLICY:** Micrel's products are not authorized for use as critical components in life support devices or systems without the express written approval of the President of Micrel Inc.