



Chipsmall Limited consists of a professional team with an average of over 10 year of expertise in the distribution of electronic components. Based in Hongkong, we have already established firm and mutual-benefit business relationships with customers from,Europe,America and south Asia,supplying obsolete and hard-to-find components to meet their specific needs.

With the principle of “Quality Parts,Customers Priority,Honest Operation,and Considerate Service”,our business mainly focus on the distribution of electronic components. Line cards we deal with include Microchip,ALPS,ROHM,Xilinx,Pulse,ON,Everlight and Freescale. Main products comprise IC,Modules,Potentiometer,IC Socket,Relay,Connector.Our parts cover such applications as commercial,industrial, and automotives areas.

We are looking forward to setting up business relationship with you and hope to provide you with the best service and solution. Let us make a better world for our industry!



Contact us

Tel: +86-755-8981 8866 Fax: +86-755-8427 6832

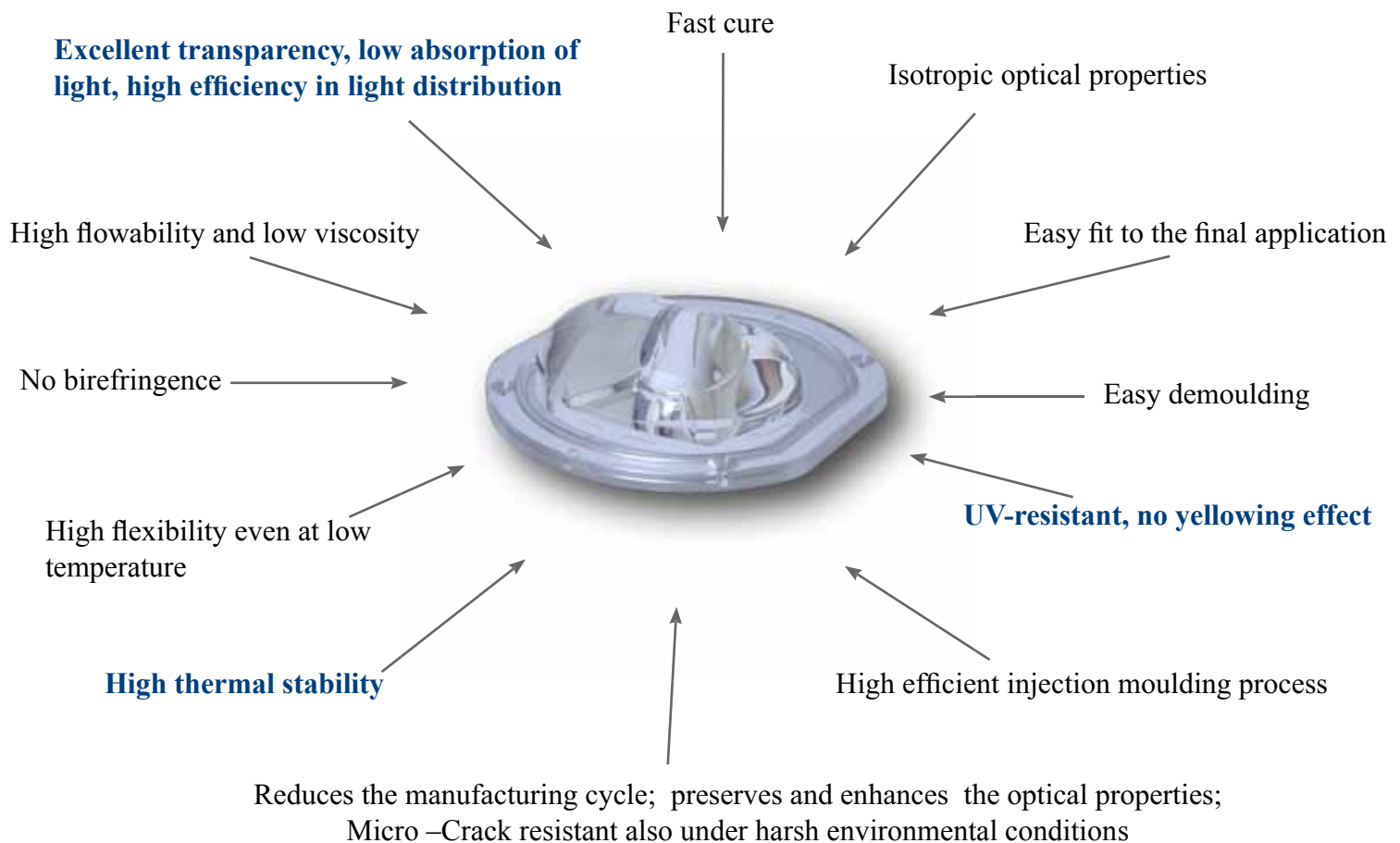
Email & Skype: info@chipsmall.com Web: www.chipsmall.com

Address: A1208, Overseas Decoration Building, #122 Zhenhua RD., Futian, Shenzhen, China



SiO₃ Street Series

Ultra Clear Silicone Optic for High Brightness LEDs and COB LEDs.



The LEDs of latest generation - High Brightness LEDs and COB LEDs – achieve very high temperatures which could put strain on the conventional polymers such as PMMI, PMMA and PC.

The typical features of silicone make SiO₃ silicone lenses perfect for outdoor applications or indoor applications in damp and wet environments:

- High temperature resistant; considerably reduce the yellowing effect.
- NO need for extra protection: glass or gasket for IP.
- As an isotropic material, silicone provides SiO₃ silicone lenses with high flexibility allowing easy fit to the final application.
- As an elastomer, silicone provides SiO₃ silicone lenses with an excellent compensation capability that well meets the requirements of construction mechanical tolerances in the final application.



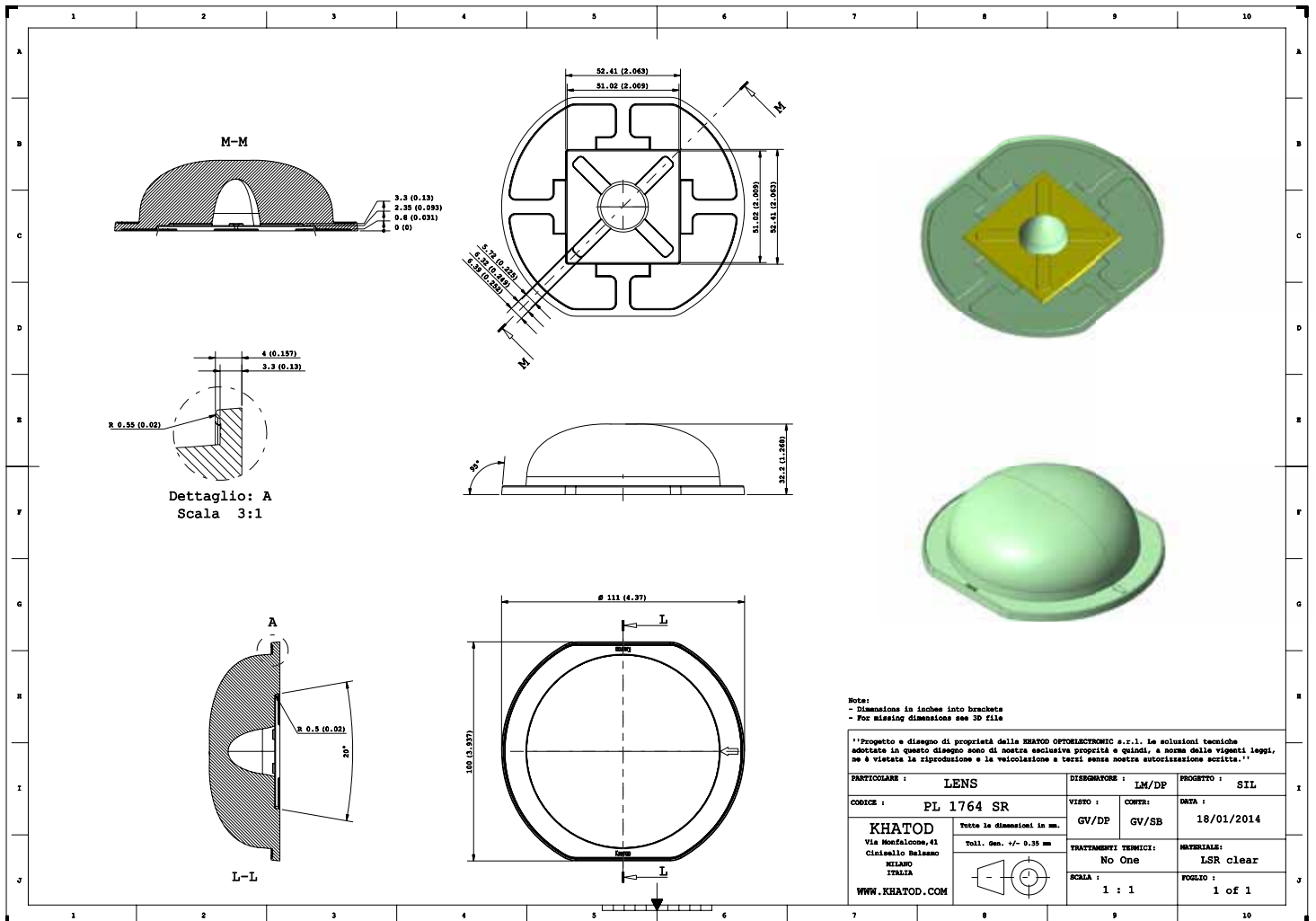
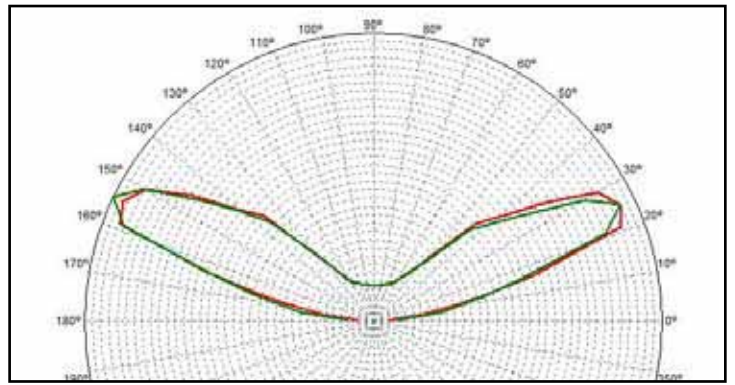
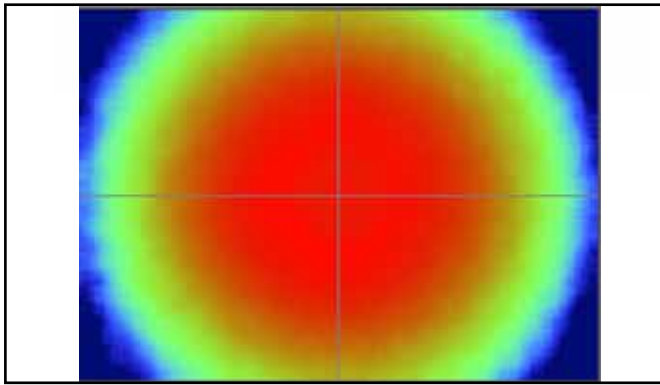
PL1764SR - Type V Medium



- Lenses Material = SILICONE
- Ring Material = PC or Alluminium
- Full angle at 50% : ~ 155°x155°
- Full angle at 10% : ~ 165°x165°
- The light spots here represented refer to tests carried out with CoBs with 23mm LES, ~5225lm

NEW UPDATE

- Available for Bridgelux VERO 18
- Available for [Bender-Wirth Holder](#) with connector
- Available with new Alluminium Ring IK10



Materials

Material	Top	Tstg
SILICONE	-40°...200°C	-40°...200°C
POLYCARBONATE	-40°...120°C	-40°...120°C
ALLUMINIUM	-40°...200°C	-40°...200°C

Notes:

- Intensity (I) and illuminance (E) data are normalized by 1000 lm
- The optical values shown are the result of optical simulations carried out with ASAP and ZEMAX software systems. The optical simulations are carried out on the basis of the typical values provided in the LED manufacturers' official datasheets. The photometric analysis has been carried out on physical samples. On request, by supplying your PCB, we can provide the measurement photometric file.
- General Optical Measurement Tolerance : $\pm 10\%$

Use and Maintenance

- DO NOT HANDLE OR INSTALL LENSES WITHOUT WEARING GLOVES, SKIN OILS MAY DAMAGE LENS OR LIGHT TRANSMISSION;
- CLEAN LENSES WITH MILD SOAP AND WATER AND A SOFT CLOTH;
- DO NOT USE ANY COMMERCIAL CLEANING SOLVENTS ON LENSES.

Disclaimer

Please note that flow lines and weld lines on the external surfaces of the lenses are acceptable if the optical performance of the lens is within the specifications.

Should you require further information, please contact Khatod for advice. All lens testing must be subject to identical conditions as Khatod test condition. Khatod Optoelectronic, Milan, Italy, manufactures lenses for LEDs. Any other use of the lens shall void our liability and warranty. The lenses are an inert component to be used in the manufacture of various products. Our warranty and liability are limited only to the manufacture of the lens. You may not modify, copy, distribute reproduce, license or alter the lens and related materials of Khatod. Khatod does not warrant against damages or defects arising out of the use or misuse of the products; against defects or damage arising from improper installation, or against defects in the product or in its components. No warranty of any kind, expressed or implied, is made regarding the safety of the products. The entire risk as to the quality or performance of the product is with the buyer. In no event shall Khatod be liable for any direct, indirect, punitive, incidental, special, consequential damages, or any damages whatsoever arising out of or connected with the use or misuse of the product. Khatod shall not have any obligation with respect to the product or any part thereof, whether based on contract, tort, strict liability or otherwise. Buyer assumes all risks and liability from use of the product. The laws of Milan, Italy govern this product warranty and liability and you hereby consent to the exclusive jurisdiction and venue of courts in Milan, Italy in all disputes arising out of or relating to the use of this product. Production, marketing, distribution, sale of these products as well as their possible modifications and variations are only exclusive right of Khatod Optoelectronic. No company can perform any of these actions without written permission released by Khatod Optoelectronic. The information contained in this document is proprietary of Khatod Optoelectronic and may change without notice.

REPRODUCTION PROHIBITED.