



Chipsmall Limited consists of a professional team with an average of over 10 year of expertise in the distribution of electronic components. Based in Hongkong, we have already established firm and mutual-benefit business relationships with customers from,Europe,America and south Asia,supplying obsolete and hard-to-find components to meet their specific needs.

With the principle of “Quality Parts,Customers Priority,Honest Operation,and Considerate Service”,our business mainly focus on the distribution of electronic components. Line cards we deal with include Microchip,ALPS,ROHM,Xilinx,Pulse,ON,Everlight and Freescale. Main products comprise IC,Modules,Potentiometer,IC Socket,Relay,Connector.Our parts cover such applications as commercial,industrial, and automotives areas.

We are looking forward to setting up business relationship with you and hope to provide you with the best service and solution. Let us make a better world for our industry!



## Contact us

Tel: +86-755-8981 8866 Fax: +86-755-8427 6832

Email & Skype: info@chipsmall.com Web: www.chipsmall.com

Address: A1208, Overseas Decoration Building, #122 Zhenhua RD., Futian, Shenzhen, China

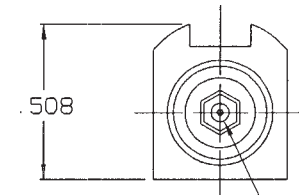
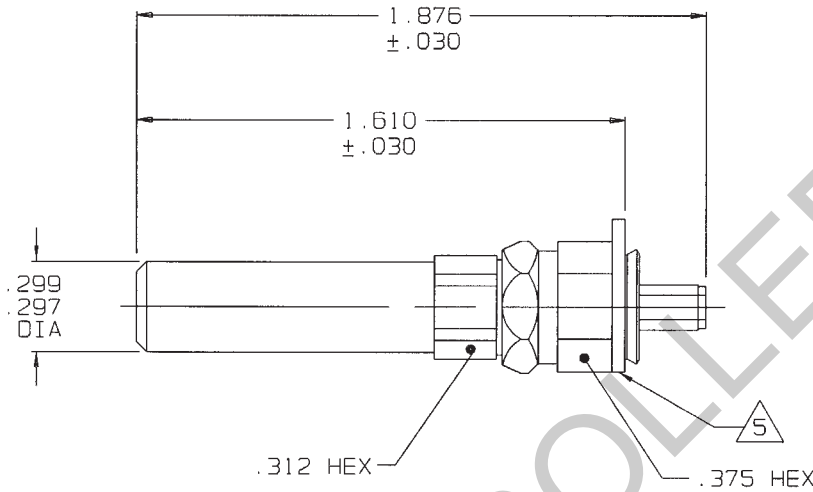


DASH NO	CABLE ACCOMMODATED	A HEX
-009	8218, BELDEN 21-597, ESSEX YR23023, BELDEN	.178
-013A	TCC-75-2 8241F, BELDEN	.255
-014	8212, BELDEN	.255
-025	734A TYPE	
-026	735A TYPE	.178
-027	KS19224L2 LUCENT	

DATA CONTAINED IN THIS DOCUMENT IS PROPRIETARY TO TROMPETER ELECTRONICS INC. AND SHALL NOT BE DISCLOSED, COPIED OR USED FOR PROCUREMENT OR MANUFACTURE WITHOUT EXPRESS WRITTEN PERMISSION OF TROMPETER ELECTRONICS INC.

REVISIONS		PLIMWLT	SH 1
REV	DESCRIPTION	DATE	APPROVED
A	PRODUCTION RELEASE		

**RED INDICATES ORIGINAL**



CABLE ENTRY

MODEL NO.	TEI P/N
PLIMWLT	1-0604

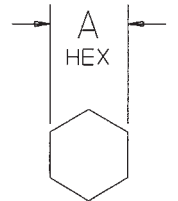
5 PLATE TO ROTATE FREELY AFTER WITHSTANDING AN AXIAL FORCE OF 25 LBS IN THE DIRECTION OF THE CABLE ENTRY

4 ASSEMBLE IAW TAI-200 EXCEPT INSTALL NUT ASSY OVER CABLE PRIOR TO TERMINATING CONNECTOR

3 SEE TABLE FOR CABLE ACCOMMODATED


2. 75 OHM COAXIAL MINIATURE TOOL CRIMP PATCH PLUG, IN STANDARD CRIMP DESIGN, WITH ENTRY BUSHING

1. FINISH: TFS-1B (2G-GOLD)



RECOMMENDED  
HEX CRIMP

OUTLINE DRAWING

INTERPRET DRAWING PER MIL-STD-100 DIMENSIONS ARE IN INCHES AND INCLUDE FINISH THICKNESS UNLESS OTHERWISE SPECIFIED		TOL: UNLESS SPECIFIED .XX ± .02 .XXX ± .010 .XXXX		 a cinch connectivity solutions brand	
DRAWN PD	DATE 1-10-02	MATERIAL:			
CHECKED		FINISH:		SIZE	CAGE CODE
QUALITY	1-17-02			A	14949
MANUF	1/17/02			DRAWING NO.	REV.
APPROVED	1/16/02			PLIMWLT	A
CAO FILE NO.	PLIMWLT.PRT	DO NOT SCALE DWG		SCALE	DATE
NEXT ASSY				2/1	1-17-02
				SHEET	1 OF 1