



Chipsmall Limited consists of a professional team with an average of over 10 year of expertise in the distribution of electronic components. Based in Hongkong, we have already established firm and mutual-benefit business relationships with customers from,Europe,America and south Asia,supplying obsolete and hard-to-find components to meet their specific needs.

With the principle of “Quality Parts,Customers Priority,Honest Operation,and Considerate Service”,our business mainly focus on the distribution of electronic components. Line cards we deal with include Microchip,ALPS,ROHM,Xilinx,Pulse,ON,Everlight and Freescale. Main products comprise IC,Modules,Potentiometer,IC Socket,Relay,Connector.Our parts cover such applications as commercial,industrial, and automotives areas.

We are looking forward to setting up business relationship with you and hope to provide you with the best service and solution. Let us make a better world for our industry!



## Contact us

Tel: +86-755-8981 8866 Fax: +86-755-8427 6832

Email & Skype: info@chipsmall.com Web: www.chipsmall.com

Address: A1208, Overseas Decoration Building, #122 Zhenhua RD., Futian, Shenzhen, China



REV. Status

REVISION -  
02/04/03 YS

REVISION A  
ADDED RoHS &  
UPDATED LABELS  
DELETED CSA#  
LR69223  
02/27/06 MP

REVISION B  
CHG TUV FILE #  
WAS 810/89  
(EN60950 & VDE  
0551). CLARIFIED  
PIN OUTS  
04/19/07 YS

REVISION C  
UPDATE LOGO'S  
TO STD IED.  
Dielectric  
Withstand WAS  
Hi-Pot 3500.  
4-30-08 EB

REVISION D  
MOUNTING  
NOTE ADDED  
09/28/11 MP

REVISION E  
UPDATE SAFETY  
09/29/11 MP

REVISION F  
SAFETY NOTES  
ADDED  
03/20/13 MP

| TOLERANCES (mm) |       |
|-----------------|-------|
| ≤ 4             | ± 0.2 |
| 4 ≤ 20          | ± 0.3 |
| 20 ≤ 50         | ± 0.4 |

PREPARED BY:

M. PITCHAI

ENGINEER:  
M. PITCHAI

SAFETY ENGINEER  
B. OCONNELL

APPROVED:  
P. BRUNE

THREE FLANGE DUAL PRIMARY 20VA PC BOARD POWER TRANSFORMER

A. Electrical Specifications (@ 25°C)

1. Maximum Power: 20VA
2. Primary Voltage and Frequency: 115/230VAC 50/60Hz
3. Secondary RMS Rating: See Table A
4. Voltage Regulation: 18% TYP @ full load to no load
5. Temperature Rise(normal op. condition): 45°C TYP (60° MAX)
6. A 10% Input Voltage change will proportionally affect transformer sec voltage. The max. allowed wdg temp under abnormal condition is 155°C
7. Insulation Resistance:  
100MΩ MIN @ 500VDC, Pri to Sec, Pri to Core, Sec to Core
8. Dielectric Withstand: 3750Vrms 1 minute @ Pri to Sec  
1500Vrms 1 minute @ Pri to Core, Sec to Core

B. Marking: includes input and output ratings (per sheet 2),

C. Safety:

Conforms to construction requirement of:

UL5085-1, -2; CSA No. 66.1, 66.2

(from Datecode 1143 and onwards).

UL506, UL1411

UL1446 (CLASS 130(B))

EN61558-1, -2-6

Safety certificate file reference:

UL E138028, E79781, E92957

CSA 175561

TUV (P.S.) 4478013415698

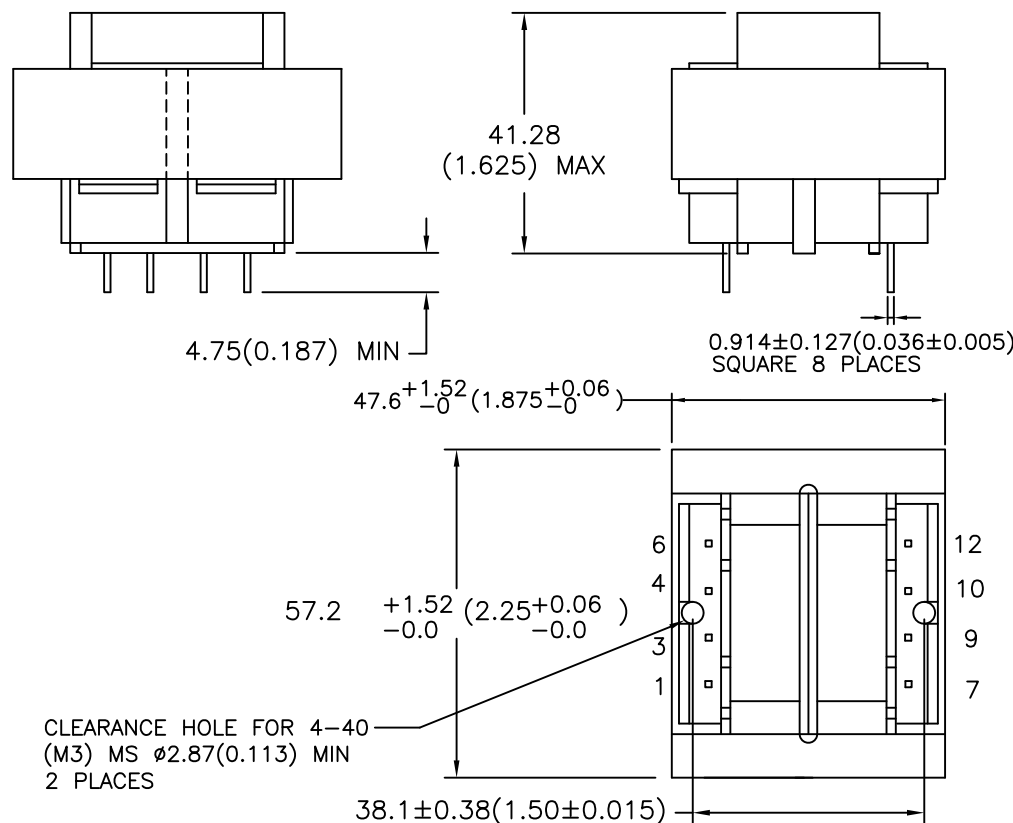
Non short-circuit proof safety isolating transformer.

Intended for mounting on PCBs and for building into end use-equipment.

Not intended for series/parallel connection with other transformers.

Mounting hardware may reduce spacing in end use application.

D. Mechanical Specifications:

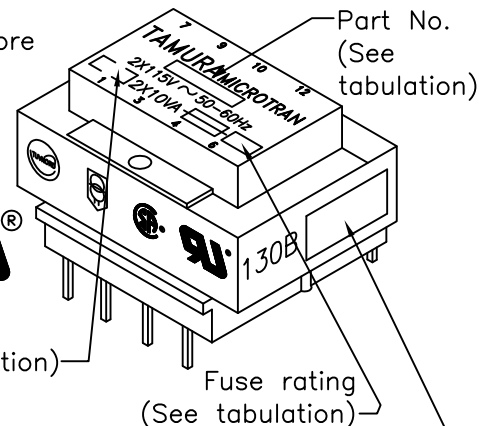


NOTE: BOARD WASHING IS NOT RECOMMENDED FOR THESE PARTS



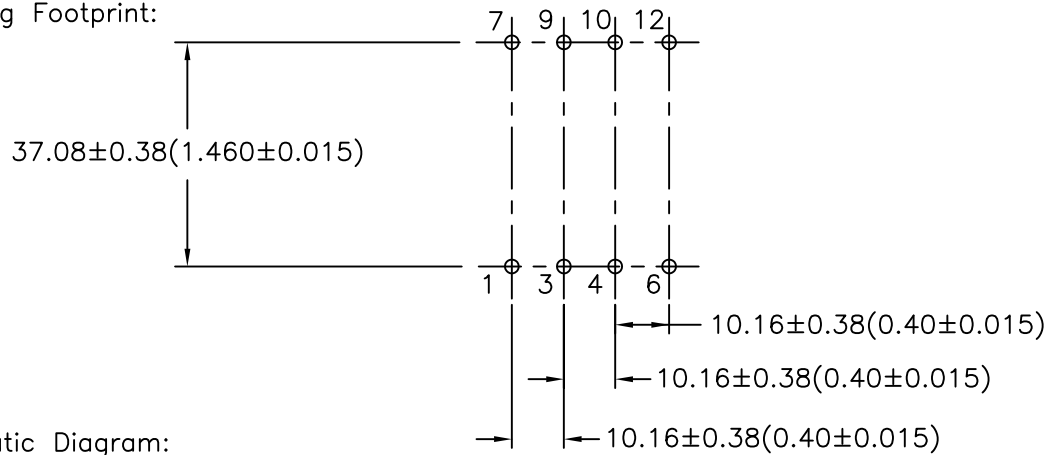
MODEL NUMBER

PL20-XX-130B



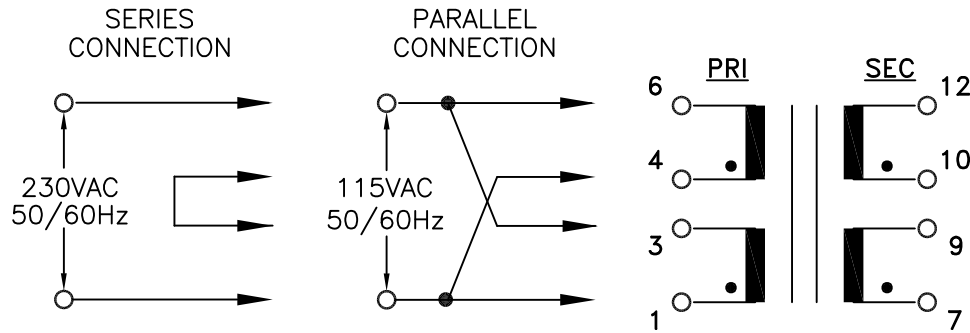
|   |          |   |                                     |
|---|----------|---|-------------------------------------|
| DRAWING CONTROL NO.<br>P-A1-12260<br>ACAD/MXFMR/A1122601.DWG  | REV<br>F | MODEL DESCRIPTION<br>POWER<br>TRANSFORMER   | MODEL SPECIFICATION<br>PL20-XX-130B |
| CONTENTS OF THIS DRAWING ARE SUBJECT TO CHANGE WITHOUT PRIOR NOTICE   |          | TAMURA CORPORATION OF AMERICA<br>1040 SOUTH ANDREASEN DRIVE, #100 ESCONDIDO, CA. 92029<br>(951) 699-1270 FAX 7607400536 | DIM: mm[In] SCL: 1/1 SH: 1 OF 2     |
| <p>PROPRIETARY NOTICE: THIS DRAWING PRINT OR DOCUMENT AND SUBJECT MATTER DISCLOSED HEREIN ARE PROPRIETARY ITEMS TO WHICH TAMURA RETAINS THE EXCLUSIVE RIGHT OF DISSEMINATION, REPRODUCTION, MANUFACTURE AND SALE. THIS DRAWING, PRINT OR DOCUMENT IS SUBMITTED IN CONFIDENCE FOR CONSIDERATION BY THE RECIPIENT ALONE UNLESS PERMISSION FOR FURTHER DISCLOSURE IS EXPRESSLY GRANTED IN WRITING.</p> |          |   |                                     |

E. Mounting Footprint:

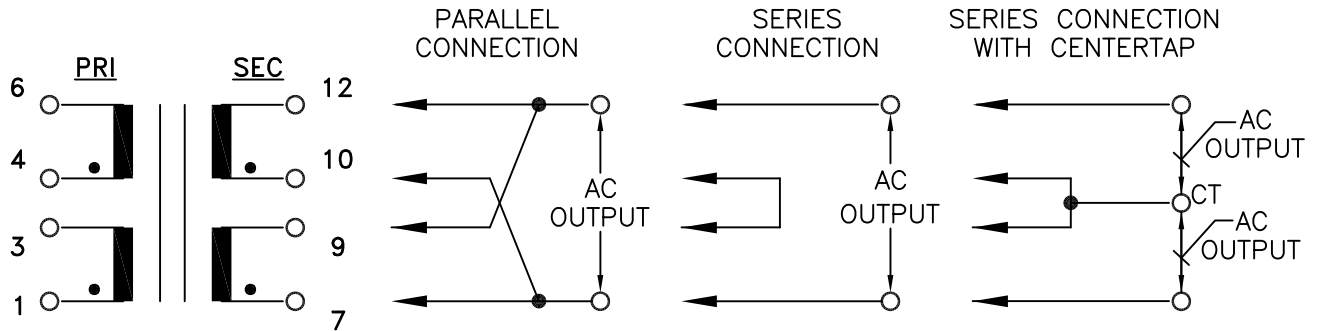


F. Schematic Diagram:

**PRIMARY INPUT CONNECTIONS**



**SECONDARY OUTPUT CONNECTIONS**



G. Table A:

T= Time lag

| PART NO.     | PARALLEL |          | SERIES   |          | SERIES WITH CT |          | OUTPUT  | SECONDARY FUSE REQ'D EA. WINDING |
|--------------|----------|----------|----------|----------|----------------|----------|---------|----------------------------------|
|              | AC VOLTS | RMS AMPS | AC VOLTS | RMS AMPS | AC VOLTS       | RMS AMPS |         |                                  |
| PL20-10-130B | 5.0      | 4.00     | 10.0     | 2.00     | 5.0-CT-5.0     | 2.00     | 2X5.0V  | T 2.00A                          |
| PL20-12-130B | 6.3      | 3.20     | 12.6     | 1.60     | 6.3-CT-6.3     | 1.60     | 2X6.3V  | T 1.60A                          |
| PL20-16-130B | 8.0      | 2.50     | 16.0     | 1.25     | 8.0-CT-8.0     | 1.25     | 2X8.0V  | T 1.25A                          |
| PL20-20-130B | 10.0     | 2.00     | 20.0     | 1.00     | 10.0-CT-10.0   | 1.00     | 2X10.0V | T 1.00A                          |
| PL20-24-130B | 12.0     | 1.66     | 24.0     | 0.83     | 12.0-CT-12.0   | 0.83     | 2X12.0V | T 1.00A                          |
| PL20-28-130B | 14.0     | 1.44     | 28.0     | 0.72     | 14.0-CT-14.0   | 0.72     | 2X14.0V | T 0.80A                          |
| PL20-36-130B | 18.0     | 1.12     | 36.0     | 0.56     | 18.0-CT-18.0   | 0.56     | 2X18.0V | T 0.63A                          |

PREPARED BY:

M. PITCHAI

ENGINEER:

M. PITCHAI

SAFETY ENGINEER

B. O'CONNELL

APPROVED:

P. BRUNE

DRAWING CONTROL NO.  
P-A1-12260  
ACAD/MXFMR/A1122602.DWG

REV  
F

MODEL DESCRIPTION  
POWER  
TRANSFORMER

**TAMURA CORPORATION OF AMERICA**  
1040 SOUTH ANDREASEN DRIVE, #100 ESCONDIDO, CA. 92029  
(951) 699-1270 FAX 7607400536

MODEL SPECIFICATION

**PL20-XX-130B**

DIM: mm[In] SCL: NONE SH: 2 OF 2

PROPRIETARY NOTICE: THIS DRAWING PRINT OR DOCUMENT AND SUBJECT MATTER DISCLOSED HEREIN ARE PROPRIETARY ITEMS TO WHICH TAMURA RETAINS THE EXCLUSIVE RIGHT OF DISSEMINATION, REPRODUCTION, MANUFACTURE AND SALE. THIS DRAWING, PRINT OR DOCUMENT IS SUBMITTED IN CONFIDENCE FOR CONSIDERATION BY THE RECIPIENT ALONE UNLESS PERMISSION FOR FURTHER DISCLOSURE IS EXPRESSLY GRANTED IN WRITING.

MODEL NUMBER  
**PL20-XX-130B**