



Chipsmall Limited consists of a professional team with an average of over 10 year of expertise in the distribution of electronic components. Based in Hongkong, we have already established firm and mutual-benefit business relationships with customers from,Europe,America and south Asia,supplying obsolete and hard-to-find components to meet their specific needs.

With the principle of “Quality Parts,Customers Priority,Honest Operation,and Considerate Service”,our business mainly focus on the distribution of electronic components. Line cards we deal with include Microchip,ALPS,ROHM,Xilinx,Pulse,ON,Everlight and Freescale. Main products comprise IC,Modules,Potentiometer,IC Socket,Relay,Connector.Our parts cover such applications as commercial,industrial, and automotives areas.

We are looking forward to setting up business relationship with you and hope to provide you with the best service and solution. Let us make a better world for our industry!



## Contact us

Tel: +86-755-8981 8866 Fax: +86-755-8427 6832

Email & Skype: info@chipsmall.com Web: www.chipsmall.com

Address: A1208, Overseas Decoration Building, #122 Zhenhua RD., Futian, Shenzhen, China



# Panel Actuators and Indicators

## Type PL 22

### Two Colours Pilot Light



- Ø 22mm (Ø 0.87") dimension
- Two colours lamp
- High brightness pure colour LED
- High reliability and durability
- AC and DC voltage
- cULus and CE
- IEC/EN 60947-5-1, IEC/EN 60073, IEC/EN 60529, UL 508

PL 22S TC

### Product description

Pilot lights are panel mounted lamp assemblies consisting of the indicator housing, an internal lamp, terminals, and a lens. Applications include industrial control panels of all types, equipment indicator panels, status indicators and display lighting. The light source is high brightness pure colour LED.

### Ordering key

**PL 22S TC RG 24**

Series \_\_\_\_\_  
 Dimension \_\_\_\_\_  
 Type \_\_\_\_\_  
 Colour \_\_\_\_\_  
 Voltage \_\_\_\_\_

### Approvals



### Technical data

Rated imp. withstand voltage $U_{imp}$	2500VAC 50Hz 1min.
Rated insulation Voltage $U_i$	500VAC
Allowable voltage fluctuation	±20%
Continuous operating life	≥100.000h
Ultrahigh brightness	≥100cd/m <sup>2</sup> (≥9.29ftc)
Applying frequency	50-60Hz
Current consumption (AC/DC)	≤18mA
Operating temperature	-25 to +70°C (-13 to +158°F)
Storage temperature	-30 to +80°C (-22 to +176°F)
Degree of protection	IP 65

### Dimension and style

22S = Ø22mm (Ø0.87") standard size

### Type

TC = Two colours

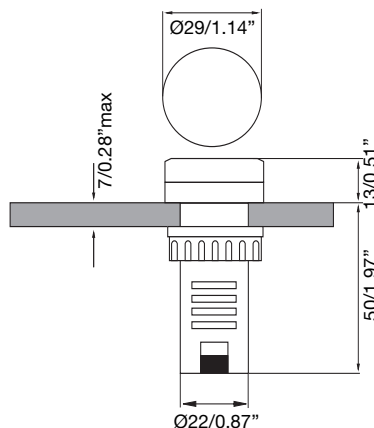
### Colours

RG= Red and Green                      RB= Red and Blue  
 RY= Red and Yellow

### Voltage

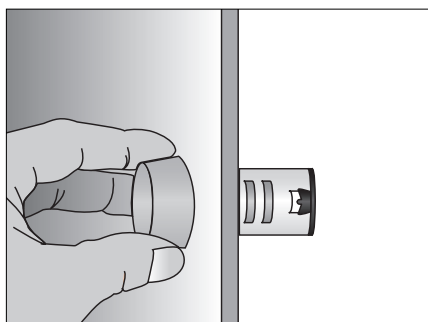
06 = 6VAC/DC                              110 = 110VAC/DC  
 12 = 12VAC/DC                            220D = 220VDC  
 24 = 24VAC/DC                            220A = 220VAC  
 48 = 48VAC/DC                            380A = 380VAC

### Dimensions mm/inches

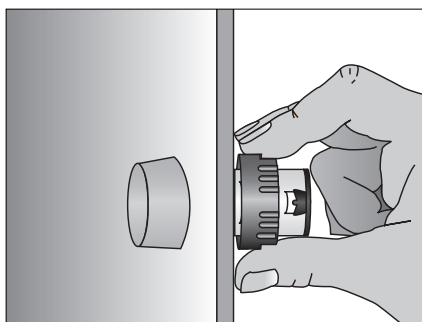


"STC" Type

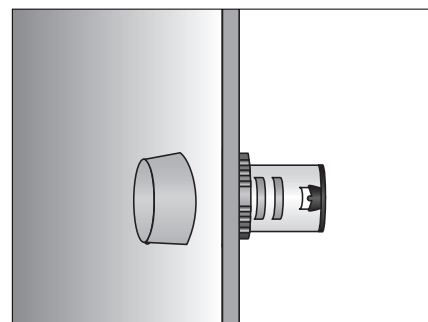
## Mounting



Just insert the pilot light into the hole of the pannel.

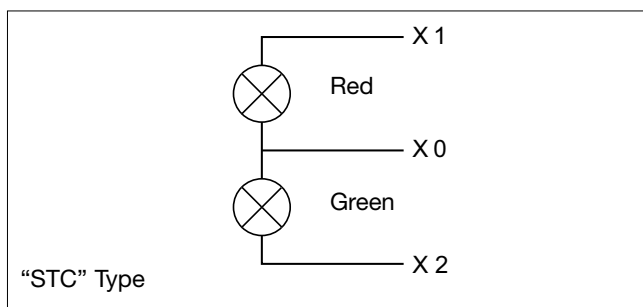


The pilot light will be secured at the back by the plastic nut



The pilot light has been installed.

## Wiring Diagram



## Wiring Notes

- 1) Use 60°C or 75°C copper (CU) conductor and wire size range 18AWG, stranded or solid.
- 2) Terminal tightening torque 0.6Nm (5.3in.lb)
- 3) Recommended external fuse - listed or R/C fuses, Supplemental (JDYX, JDYX2) rated 3A mmaximum.

## Accessories for Panel Indicators



### Reducing ring for Pilot Light Ø22mm (0.87")

To mount the Ø22mm (0.87") pilot light into the hole for Ø25mm (0.98") of the panel.

ABS

Ø25mm/Ø0.98"

PA RR 2



### Fastening connector for Pilot Light Ø22mm (0.87")

Improve the quality of installation and reduce the time of installations.

PC

PA PL CONN



### Panel hole cap Ø22mm (0.87")

For blocking up prepared or useless holes on the panels.

ABS

PA PHC 22