



Chipsmall Limited consists of a professional team with an average of over 10 year of expertise in the distribution of electronic components. Based in Hongkong, we have already established firm and mutual-benefit business relationships with customers from,Europe,America and south Asia,supplying obsolete and hard-to-find components to meet their specific needs.

With the principle of "Quality Parts,Customers Priority,Honest Operation,and Considerate Service",our business mainly focus on the distribution of electronic components. Line cards we deal with include Microchip,ALPS,ROHM,Xilinx,Pulse,ON,Everlight and Freescale. Main products comprise IC,Modules,Potentiometer,IC Socket,Relay,Connector.Our parts cover such applications as commercial,industrial, and automotives areas.

We are looking forward to setting up business relationship with you and hope to provide you with the best service and solution. Let us make a better world for our industry!



Contact us

Tel: +86-755-8981 8866 Fax: +86-755-8427 6832

Email & Skype: info@chipsmall.com Web: www.chipsmall.com

Address: A1208, Overseas Decoration Building, #122 Zhenhua RD., Futian, Shenzhen, China



RED INDICATES ORIGINAL

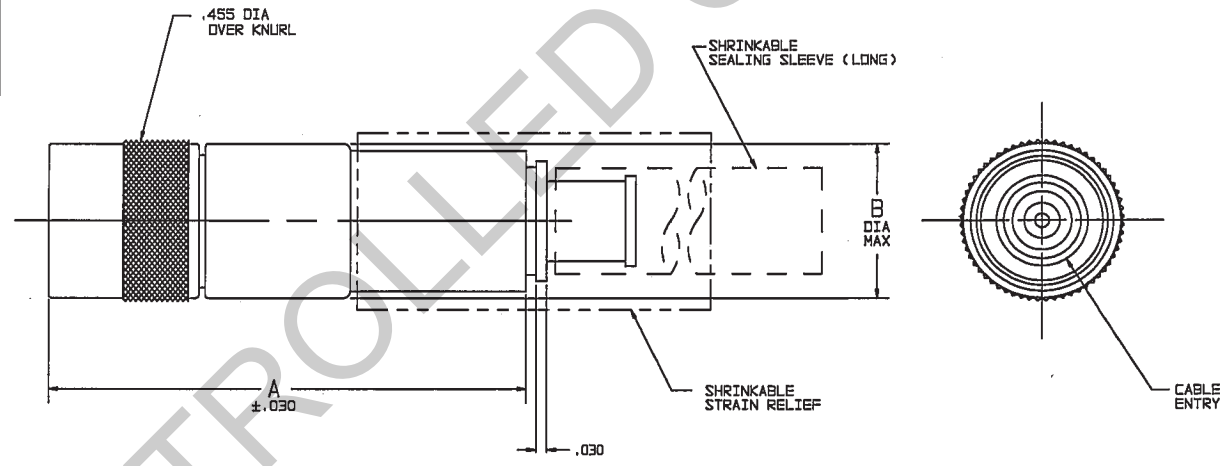
DATA CONTAINED IN THIS DOCUMENT IS PROPRIETARY TO TROMPETER ELECTRONICS INC. AND SHALL NOT BE DISCLOSED, COPIED OR USED FOR PROCUREMENT OR MANUFACTURE WITHOUT EXPRESS WRITTEN PERMISSION.

REV		ED		DESCRIPTION	DWN	APPROVED	DATE
L	12388			ADDED -224 & -225 NOTE 3 THREADED WAS 4 LUG; SEE ECO	DBN	<i>WM</i>	4/8/98

DASH NO	CABLES ACCOMMODATED	A DIM	B DIA	C HEX	ASSEMBLE PER				
-201	M17/176-00002	1.146	.338	.255	TAI-143				
-202	TWC-78-1								
-203	TWC-124-1A								
-204	10E02, RAYCHEM								
-205	TWAC-78-1F2								
-206	782800130, RAYCHEM								
-207	83310 BELDEN					1.352	.442	.344	TAI-167
-208	202-3927 MICRODOT					1.146	.338	.255	TAI-143
-209	202-3942 MICRODOT								
-210	8451 BELDEN								
-211	202-3934 MICRODOT	1.352	.442	.344	TAI-144				
-212	2524E0114, RAYCHEM								
-213	TWC-78-2								
-214	TWC-124-2								
-215	BL-882 TIMES								
-216	BL-1242 TIMES								
-217	GCB75TM24H, GRUMMAN								
-218	EPD 22188B, RAYCHEM								
-219	252801114, RAYCHEM								
-220	GCB75RR1, GRUMMAN					1.146	.338	.255	TAI-143
-221	10614, RAYCHEM								
-222	10613, RAYCHEM								
-223	HMS2-114B, HUGHES								
-224	TYCP-124-3								
-225	PS685PL, PRIME STOCK								

DASH NO	CABLES ACCOMMODATED	A DIM	B DIA	C HEX	ASSEMBLE PER
-301	GCB75GC1, GRUMMAN	1.146	.338	.255	TAI-153
-302	GCB75GB1, GRUMMAN 5022E5111, RAYCHEM				
-303	7528A5314, RAYCHEM				
-304					
-305	M17/177-00001 295-3804 MICRODOT	1.352	.442	.344	TAI-173
-306	TRC-50-2 M17/134-00002				
-307	TRC-75-1				
-308	TRC-75-2	1.146	.338	.255	TAI-153
-309	TRC-50-1				

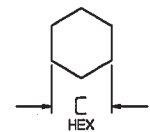
INCH	MM
.005	0.13
.030	0.76
.255	6.48
.338	8.61
.344	8.74
.442	11.23
.455	11.56
1.00	25.40
1.146	29.11
1.25	31.75
1.352	34.34
1.75	44.45



-207 SHOWN

- 1 SHRINKABLE STRAIN RELIEF AND/OR SHRINKABLE SEALING SLEEVE SUPPLIED LOOSE AS FOLLOWS:
- CABLE GROUPS -207, -210 & -307:
 - 1 SHRINKABLE STRAIN RELIEF (1.00 LONG)
 - 1 SHRINKABLE SEALING SLEEVE (1.25 LONG)
 - CABLE GROUPS -201 THROUGH -206, -208, -209, -217 THROUGH -223, -301, -302, -303 & -308:
 - 1 SHRINKABLE SEALING SLEEVE (1.25 LONG)
 - CABLE GROUPS -211 THROUGH -216, -305, -306 & -308:
 - 1 SHRINKABLE STRAIN RELIEF (1.75 LONG)
3. THREADED SUBMINIATURE CONCENTRIC TWINAX (4 PIECE ASSY) AND TRIAX (6 PIECE ASSY), FULL CRIMP CABLE PLUG
2. FINISH: TFS-1A (NICKEL)
1. ALL DIM ARE IN INCHES

6. EXAMPLE OF COMPLETE MODEL NO:
PL3155AC-201
- BASIC MODEL NO: _____ CABLE GROUP DASH NO: _____
5. EXAMPLE OF COMPLETE PART NO:
310-0062-201
- BASIC PART NO: _____ CABLE GROUP DASH NO: _____



RECOMMENDED
HEX CRIMP
SCALE: NONE

QTY	DESCRIPTION	PART NUMBER	ITEM
	TOL UNLESS SPECIFIED .XX ±.03 .XXX ±.005 XXXX ANGLES	PL3155AC/PL3155ACS	
DWN	DBN 4/6/98	MATERIAL	CODE IDENT
CHK	WM 4-7-98	14949	DRAWING NO. 310-0062
ENGR			REV L
NEXT ASSY	APPR	SCALE 4/1	DATE 7-2-85 SHEET 1 OF 2