



Chipsmall Limited consists of a professional team with an average of over 10 year of expertise in the distribution of electronic components. Based in Hongkong, we have already established firm and mutual-benefit business relationships with customers from,Europe,America and south Asia,supplying obsolete and hard-to-find components to meet their specific needs.

With the principle of “Quality Parts,Customers Priority,Honest Operation,and Considerate Service”,our business mainly focus on the distribution of electronic components. Line cards we deal with include Microchip,ALPS,ROHM,Xilinx,Pulse,ON,Everlight and Freescale. Main products comprise IC,Modules,Potentiometer,IC Socket,Relay,Connector.Our parts cover such applications as commercial,industrial, and automotives areas.

We are looking forward to setting up business relationship with you and hope to provide you with the best service and solution. Let us make a better world for our industry!



Contact us

Tel: +86-755-8981 8866 Fax: +86-755-8427 6832

Email & Skype: info@chipsmall.com Web: www.chipsmall.com

Address: A1208, Overseas Decoration Building, #122 Zhenhua RD., Futian, Shenzhen, China



| | | |
|--------|----------|--|
| DISK # | DWG SIZE | DATA CONTAINED IN THIS DOCUMENT IS PROPRIETARY TO TROMPETER ELECTRONICS INC. AND SHALL NOT BE DISCLOSED, COPIED OR USED FOR PROCUREMENT OR MANUFACTURE WITHOUT EXPRESS WRITTEN PERMISSION. |
| K 1 | C | |

| REVISIONS | | | 310-0067 | | SH 1 |
|-----------|-------|---|----------|------------|----------|
| REV | EO | DESCRIPTION | DWN | APPROVED | DATE |
| F | 10054 | PICTORIALLY CHANGED 1.00 FLARED SEALING SLEEVE TO STRAIGHT (1.25) LONG SEALING SLEEVE; GENERAL UPDATE | DKC | <i>DKC</i> | 12/13/92 |

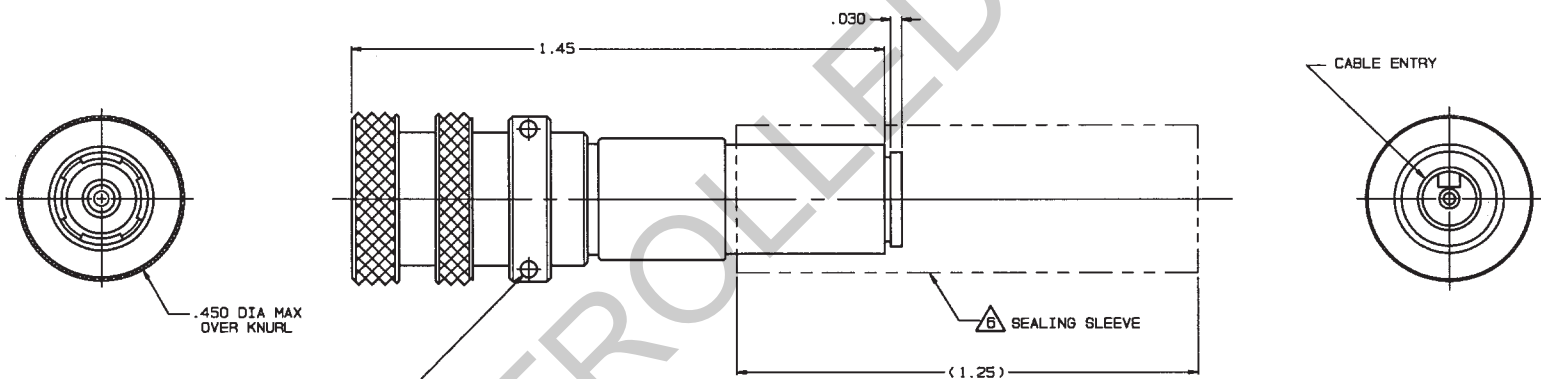
TABLE 1

| DASH NO | MODEL NO | CENTER CONTACT/INTMD CONTACT TYPE |
|---------|------------|-----------------------------------|
| -1 | PL3455AC P | SOCKET/PIN |
| -2 | PL3455AC S | PIN/SOCKET |

TABLE 2

| CABLE GROUP NO | CABLES ACCOMMODATED | ASSEMBLE PER | |
|----------------|------------------------|--------------|---------|
| -201 | M17/176-00002 | TAI-162 | |
| -202 | TWC-78-1, TROMPETER | | |
| -203 | TWC-124-1A, TROMPETER | | |
| -204 | 10602, RAYCHEM | | |
| -205 | TWAC-78-1F2, TROMPETER | | |
| -206 | 782600130, RAYCHEM | | |
| -208 | 202-3927, MICRODOT | | |
| -209 | 202-3942, MICRODOT | | |
| -212 | 2524E0114, RAYCHEM | | |
| -217 | GC875TM24H GRUMMAN | | |
| -218 | EPD22188B, RAYCHEM | | |
| -219 | 2526D1114, RAYCHEM | | |
| -220 | GC875RR1, GRUMMAN | | |
| -221 | 10614, RAYCHEM | | |
| -222 | 10613, RAYCHEM | | |
| -223 | HMS2-1149, HUGHES | | |
| -303 | 7528A5314, RAYCHEM | | TAI-190 |

| INCH | MM |
|------|-------|
| .002 | 0.05 |
| .005 | 0.13 |
| .030 | 0.76 |
| .045 | 1.14 |
| .255 | 6.48 |
| .450 | 11.43 |
| 1.25 | 31.75 |
| 1.45 | 36.83 |



△ SEALING SLEEVE & CRIMP BUSHING SUPPLIED LOOSE WITH EACH CONNECTOR; EXCEPT SEALING SLEEVE NOT USED ON -205, -208 & -223

5. EXAMPLE OF COMPLETE MODEL NO:
 PL3455AC P -201
 BASIC MODEL NO | CABLE GROUP NO (SEE TABLE 2)
 | CENTER & INTERMEDIATE CONTACT TYPE (SEE TABLE 1)

4. EXAMPLE OF COMPLETE PART NO:
 310-0067 - 1 - 201
 BASIC PART NO | DASH NO (SEE TABLE 1)
 | CABLE GROUP NO (SEE TABLE 2)

3. CONCENTRIC TWINAX 4 PIECE ASSY. FULL CRIMP CABLE PLUG, SOCKET CENTER CONTACT AND PIN INTERMEDIATE CONTACT OR PIN CENTER CONTACT AND SOCKET INTERMEDIATE CONTACT

2. TFS-1U (500 HRS SALT SPRAY; NICKEL)

1. ALL DIM ARE IN INCHES

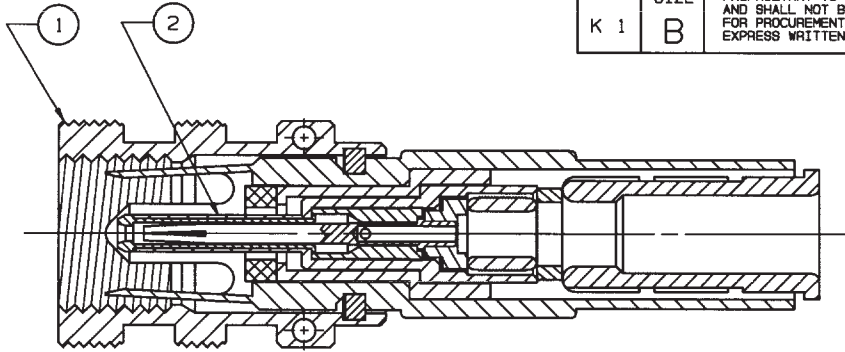
-1 -202 SHOWN



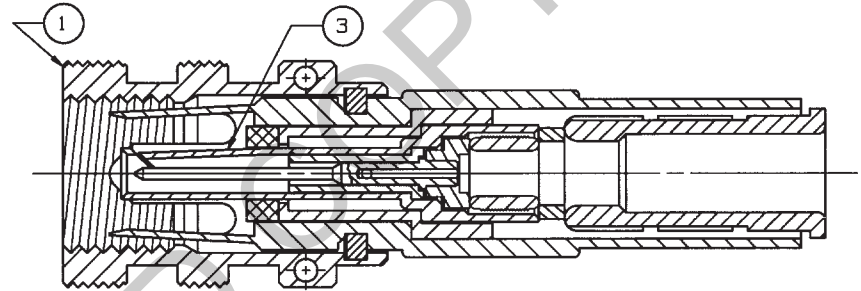
| QTY | DESCRIPTION | PART NUMBER | ITEM |
|--|-------------------------------------|--------------|--------------|
| TOL UNLESS SPECIFIED .XX ± .03 .XXX ± .005 .XXXX ± .0005 ANGLES: | TROMPETER RF connectivity | PL3455ACP/S | |
| DWN DKC 12-3-92 | MATERIAL | CODE IDENT | DRAWING NO. |
| CHK <i>DKC</i> | | 14949 | 310-0067 |
| ENGR | SCALE 4/1 | DATE 10-7-87 | SHEET 1 OF 2 |
| APPR <i>DKC</i> | NEXT ASSY | | |

RED INDICATES ORIGINAL

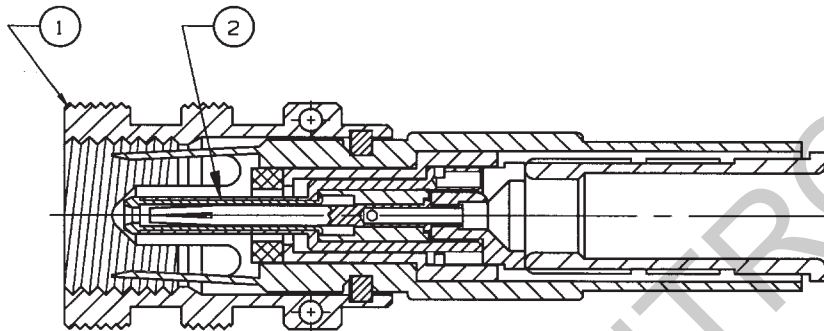
| | | | | | | | | |
|---------------|---------------|--|-----------|----|-------------|----------|----------|------|
| DISK # K 1 | DWG SIZE B | DATA CONTAINED IN THIS DOCUMENT IS PROPRIETARY TO TROMPETER ELECTRONICS INC. AND SHALL NOT BE DISCLOSED, COPIED OR USED FOR PROCUREMENT OR MANUFACTURE WITHOUT EXPRESS WRITTEN PERMISSION. | REVISIONS | | | 310-0067 | | SH 2 |
| | | | REV | EO | DESCRIPTION | DWN | APPROVED | DATE |



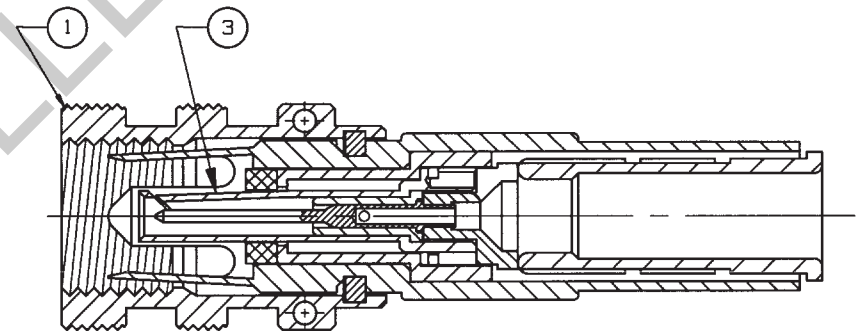
-1-303 SHOWN



-2-303 SHOWN




-1-221 SHOWN



-2-221 SHOWN

1 DASH NO SAME AS CABLE GROUP NO

| | | | | | | | |
|----|-------------|--|----------|---|--------------|-------------|------|
| 1 | SP450AC - 1 | | | 8-2496- | 1 | | 3 |
| 1 | PS450AC - 1 | | | 8-2495- | 1 | | 2 |
| 1 | 1 | BODY ASSY. PL3455AC - 1 | | 8-2554- | 1 | | 1 |
| | | DESCRIPTION | | PART NUMBER | | | ITEM |
| -2 | -1 | TOL UNLESS SPECIFIED .XX ± .XXX ± .XXXX ± ANGLES ± | |  | | PL3455ACP/S | |
| | DWN | DKC | 12-3-92 | MATERIAL | CODE IDENT | DRAWING NO. | REV |
| | CHK | DG | 12/1/92 | | 14949 | 310-0067 | F |
| | ENGR | | | | | | |
| | APPR | KJ | 12/29/92 | SCALE 4/1 | DATE 10-7-87 | SHEET 2 | |

NEXT ASSY