



Chipsmall Limited consists of a professional team with an average of over 10 year of expertise in the distribution of electronic components. Based in Hongkong, we have already established firm and mutual-benefit business relationships with customers from,Europe,America and south Asia,supplying obsolete and hard-to-find components to meet their specific needs.

With the principle of “Quality Parts,Customers Priority,Honest Operation,and Considerate Service”,our business mainly focus on the distribution of electronic components. Line cards we deal with include Microchip,ALPS,ROHM,Xilinx,Pulse,ON,Everlight and Freescale. Main products comprise IC,Modules,Potentiometer,IC Socket,Relay,Connector.Our parts cover such applications as commercial,industrial, and automotives areas.

We are looking forward to setting up business relationship with you and hope to provide you with the best service and solution. Let us make a better world for our industry!



Contact us

Tel: +86-755-8981 8866 Fax: +86-755-8427 6832

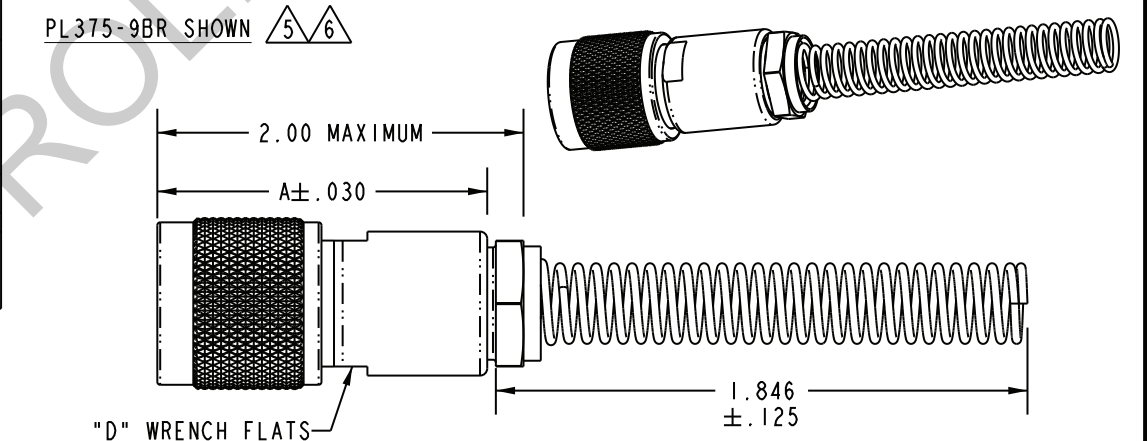
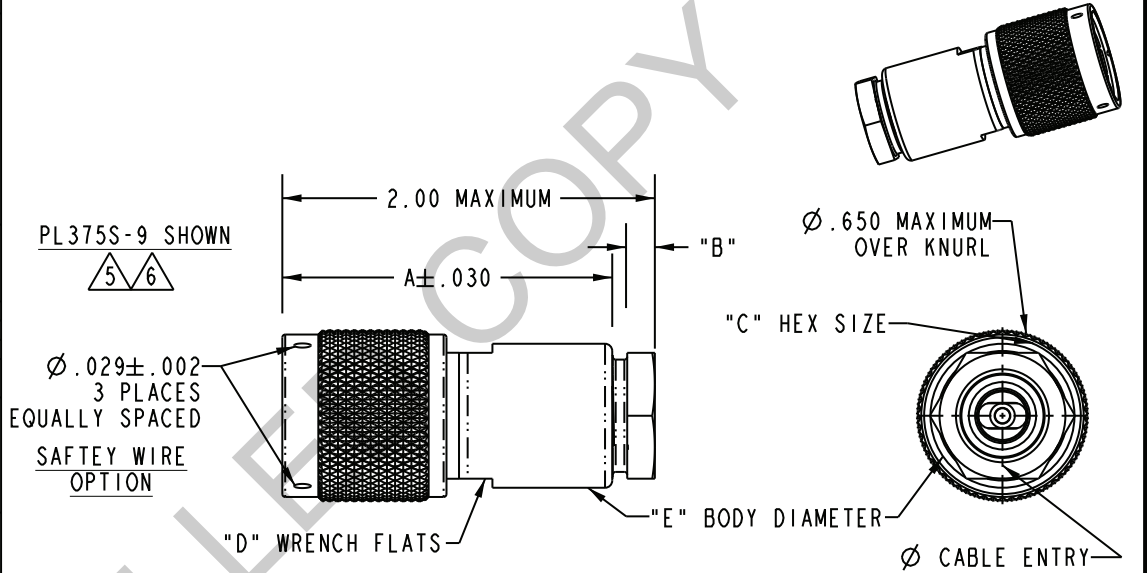
Email & Skype: info@chipsmall.com Web: www.chipsmall.com

Address: A1208, Overseas Decoration Building, #122 Zhenhua RD., Futian, Shenzhen, China



DASH NO	CABLES ACCOMMODATED	TABLE 1					CABLE ENTRY DIA	ASSEMBLE PER	CABLE TYPE
		A DIM	B DIM	C FLATS	D FLATS	E DIA			
-7	TRC-50-2 TRC-75-2	1.165	.096	.438	.438	.500	.274	TAI-189	TRIAx
-8	8227, BELDEN	1.740	.130	.625	.688	.750	.345	TAI-103	TWINAX
-9	TWC-78-2 TWC-124-2	1.165	.096	.438	.438	.500	.285	TAI-102	
-9A	BL782, TIMES BL982, TIMES BL1242, TIMES		3	3					
-10	RG-22 754E, AT&T		1.740	.130					
-11	760A, AT&T								
-12	16PEVL, AT&T VI-AL, GENERAL	1.740	.130	.625	.688	.750	.485	TAI-128	
-13	TRF-59, TIMES								
-13A	8232, BELDEN								
-14	8233, BELDEN								
-23	250-3884, MICRODOT	1.165	.096	.438	.438	.500	.183	TAI-189	
-24	202-3934, MICRODOT								
-24A	9530A5117, RAYCHEM								
-25	T-43M, GENERAL								
-25A	5021H5331, RAYCHEM								
-26	7028A5518, RAYCHEM								
-27	1191PSJ2619EN, WOVEN 202-3927, MICRODOT 202-3942, MICRODOT								
-29	TWC-78-1/TWC-124-1A								
-30	761A, AT&T 8441, BELDEN								
-32	TRC-50-1								
-33	TRC-75-1								
-42	21-204, ESSEX 4463, CONSOLIDATED	1.740	.130	.625	.688	.750	.300	TAI-189	TRIAx
-43	250-4044/250-4045 293-3930, MICRODOT								
-45	M27500-22TE2114 1100-66F, STANDARD								
-46	9860, BELDEN	1.165	.096	.438	.438	.500	.475	TAI-103	TWINAX
-47	M177176-00002								
-49	TWAC-78-1F2								
-54	89207, BELDEN								
-55	89272, BELDEN	1.740	.130	.625	.688	.750	.323	TAI-103	TWINAX
-56	GC875GCI, GRUMMAN								
-57	GC875GB1, GRUMMAN								
-58	GC875TM24H, GRUMMAN								
-59	GC875LNI, GRUMMAN								
-60	M177177, THERMATICS 380-10045, BOEING								
-64	7528A5314, RAYCHEM								

REVISED		REV	DESCRIPTIONS	DATE	APPROVED
AD	ECO 52460			6/18/10	CSM



- 6 IF SAFETY WIRE TYPE & BEND RELIEF SPRING RECD ADD SUFFIX "SBR" TO MODEL NO (NOT AVAILABLE WITH CABLE GROUPS -8, -10, -11, -12, -13, -13A, -14, -46, & -54)
 - 5 IF BEND RELIEF SPRING RECD (SEE FIG 2) ADD SUFFIX "BR" TO MODEL NO (NOT AVAILABLE WITH CABLE GROUPS -8, -10, -11, -12, -13, -13A, -14, -46, & -54)
 - 4 IF SAFETY WIRE TYPE RECD ADD SUFFIX "S" TO MODEL NO (PL375S)
 - 3 CLAMP NUT OMITTED
 - 2 CONCENTRIC TWINAX/TRIAx TRT CABLE PLUG
 - 1 FINISH: TFS-1A (NICKEL)
- NOTES: UNLESS OTHERWISE SPECIFIED.

7. EXAMPLE OF COMPLETE MODEL NO:
PL375 S -7 BR

BASIC MODEL NO _____ BEND RELIEF (OMIT IF NOT RECD) _____

SAFETY WIRE TYPE (OMIT IF NOT RECD) _____ DASH NO (CABLE GROUP, TABLE 1) _____

INTERPRET DRAWING PER MIL-STD-100. DIMENSIONS ARE IN INCHES AND INCLUDE FINISH THICKNESS UNLESS OTHERWISE SPECIFIED.		TOL: UNLESS SPECIFIED. .XX ± .02 .XXX ± .010 .XXXX ± .0010 ANGLE ± 1° 00' CRITICAL		 Cinch Connectivity Solutions 299 Johnson Ave. Ste. 100 Waseca, MN 56093 1-800-247-8256	
DRW	BPK	7/29/11		TITLE:	
CHK	CSM	8/1/11		PL375 / PL375S PL375BR / PL375SBR	
QUALITY			FINISH:		
MANUF					SIZE
APPROVED					CAGE CODE
PROF TITLE NO	315-0011		DO NOT SCALE DWG		DRAWING NO.
SURFACE AREA				SCALE	
				14949	
				DATE	
				5/23/73	
				SHEET	
				1 OF 2	