



Chipsmall Limited consists of a professional team with an average of over 10 year of expertise in the distribution of electronic components. Based in Hongkong, we have already established firm and mutual-benefit business relationships with customers from,Europe,America and south Asia,supplying obsolete and hard-to-find components to meet their specific needs.

With the principle of “Quality Parts,Customers Priority,Honest Operation,and Considerate Service”,our business mainly focus on the distribution of electronic components. Line cards we deal with include Microchip,ALPS,ROHM,Xilinx,Pulse,ON,Everlight and Freescale. Main products comprise IC,Modules,Potentiometer,IC Socket,Relay,Connector.Our parts cover such applications as commercial,industrial, and automotives areas.

We are looking forward to setting up business relationship with you and hope to provide you with the best service and solution. Let us make a better world for our industry!



Contact us

Tel: +86-755-8981 8866 Fax: +86-755-8427 6832

Email & Skype: info@chipsmall.com Web: www.chipsmall.com

Address: A1208, Overseas Decoration Building, #122 Zhenhua RD., Futian, Shenzhen, China



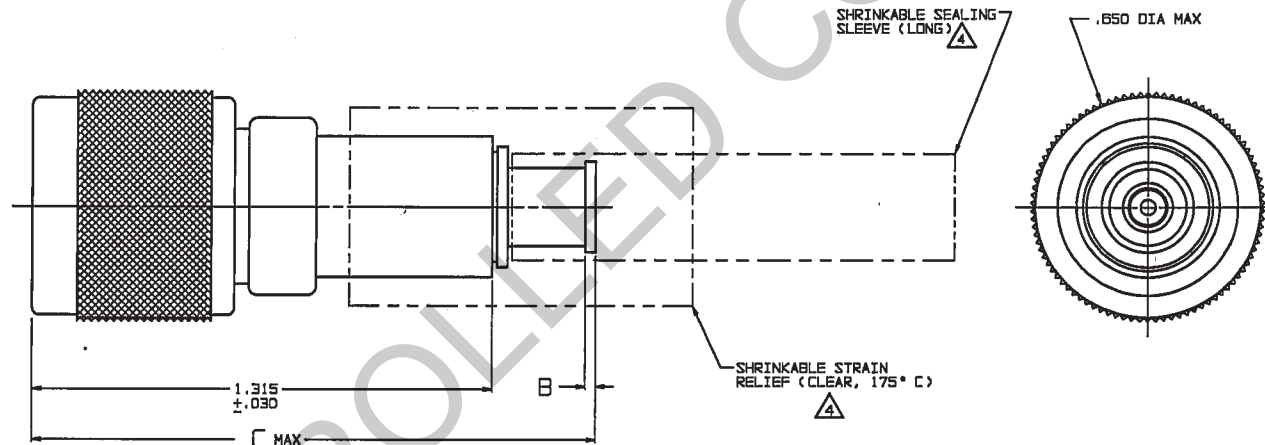
RED INDICATES ORIGINAL

DATA CONTAINED IN THIS DOCUMENT IS PROPRIETARY TO TROMPETER ELECTRONICS INC. AND SHALL NOT BE DISCLOSED, COPIED OR USED FOR PROCUREMENT OR MANUFACTURE WITHOUT EXPRESS WRITTEN PERMISSION.

REVISIONS			310-0057	SH 1	
REV	ED	DESCRIPTION	DWN	APPROVED	DATE
N	12074	-306 TAI-218 WAS TAI-188; ADDED -308 & -309; SEE ECO	DKC	Bm, AM.	6/19/97

DASH NO	CABLES ACCOMMODATED	A HEX	B DIM	C MAX	ASSEMBLY PER
-201	M17/178-00002	.344	.030	1.72	TAI-168
-202	TWC-78-1				
-203	TWC-124-1A				
-204	10602, RAYCHEM				
-205	TWAC-78-1F2				
-206	782600130, RAYCHEM				
-207	83310, BELDEN				
-208	202-3827, MICRODOT				
-209	202-3942, MICRODOT				
-210	B451, BELDEN				
-211	202-3934, MICRODOT				
-212	2524E0114, RAYCHEM				
-213	TWC-78-2				
-214	TWC-124-2				
-215	BL982, TIMES				
-216	BL 1242, TIMES				
-217	GCB75T24H, GRUMMAN				
-218	EDP221888, RAYCHEM				
-219	2526D1114, RAYCHEM				
-220	GCB75R1, GRUMMAN				
-221	10814, RAYCHEM				
-222	10813, RAYCHEM				
-223	HMS2-1149, HUGHES				
-301	GCB75SC1, GRUMMAN				
-302	GCB75GB1, GRUMMAN				
-303	7528A5314, RAYCHEM				
-304					
-305	M17/177-00001, THERMATICS				
-306	TRC-50-2 M17/134-00002				
-307	TRC-75-1				
-308	TRC-75-2				
-309	TRC-50-1				

INCH	MM
.005	0.13
.030	0.76
.344	8.74
.650	16.51
1.00	25.40
1.25	31.75
1.315	33.40
1.46	37.08
1.70	43.18
1.72	43.68
1.75	44.45



-202 SHOWN

7. FOR TOOL CRIMP CONNECTOR QUALIFIED TO MIL-C-49142, SEE DRAWING 3-0284 (PL375MC)

6. EXAMPLE OF COMPLETE MODEL NO:
PL375C-201

BASIC MODEL NO. CABLE GROUP
DASH NO

5. IF SAFETY WIRE TYPE REQD ADD SUFFIX "S" TO MODEL NO (PL375CS)

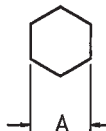
1 SHRINKABLE STRAIN RELIEF AND/OR SHRINKABLE SEALING SLEEVE SUPPLIED LOOSE AS FOLLOWS:

- a. CABLE GROUPS -201 THROUGH -210, -217 THROUGH -303, -305 & -307:
 - 1 SHRINKABLE STRAIN RELIEF (1.00 LONG)
 - 1 SHRINKABLE SEALING SLEEVE (1.25 LONG)
- b. CABLE GROUPS -211 THROUGH -216 & -308:
 - 1 SHRINKABLE STRAIN RELIEF (1.75 LONG)

3. THREADED CONCENTRIC TWINAX/TRIAX TRT, FULL CRIMP CABLE PLUG

2. TFS-1A (NICKEL)

1. ALL DIM ARE IN INCHES



RECOMMENDED
HEX CRIMP
SCALE: 2/1

QTY	DESCRIPTION	PART NUMBER	ITEM
TOL UNLESS SPECIFIED .005 ± .005 .0000 ± .0000 ANGLES ANGLE	TROMPETER RF connectivity	PL375C/PL375CS	
DWN DKC 6-17-97	MATERIAL CODE IDENT	DRAWING NO.	REV
CHK <i>[Signature]</i> 6-17-97	14949	310-0057	N
ENGR	SCALE 4/1	DATE 10/4/85	SHEET 1 OF 2
NEXT ASSY	APPR <i>[Signature]</i> 6/18/97		