



Chipsmall Limited consists of a professional team with an average of over 10 year of expertise in the distribution of electronic components. Based in Hongkong, we have already established firm and mutual-benefit business relationships with customers from,Europe,America and south Asia,supplying obsolete and hard-to-find components to meet their specific needs.

With the principle of “Quality Parts,Customers Priority,Honest Operation,and Considerate Service”,our business mainly focus on the distribution of electronic components. Line cards we deal with include Microchip,ALPS,ROHM,Xilinx,Pulse,ON,Everlight and Freescale. Main products comprise IC,Modules,Potentiometer,IC Socket,Relay,Connector.Our parts cover such applications as commercial,industrial, and automotives areas.

We are looking forward to setting up business relationship with you and hope to provide you with the best service and solution. Let us make a better world for our industry!



Contact us

Tel: +86-755-8981 8866 Fax: +86-755-8427 6832

Email & Skype: info@chipsmall.com Web: www.chipsmall.com

Address: A1208, Overseas Decoration Building, #122 Zhenhua RD., Futian, Shenzhen, China

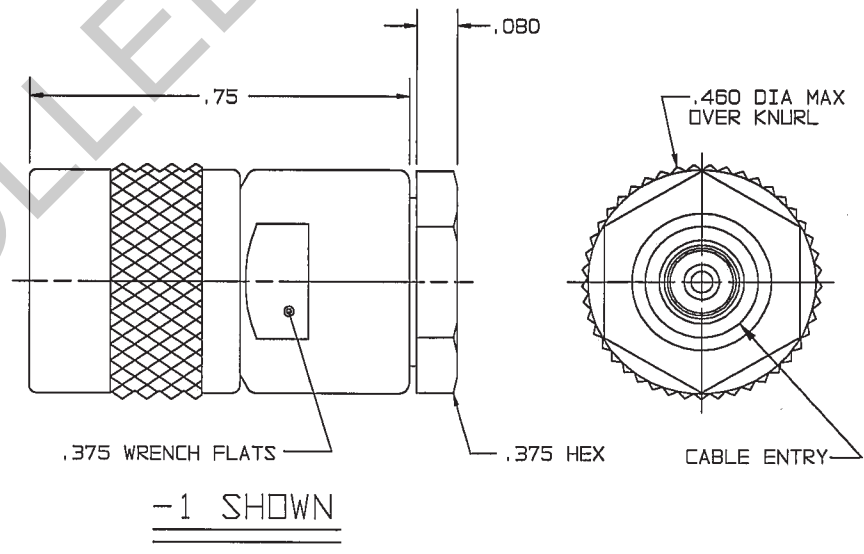
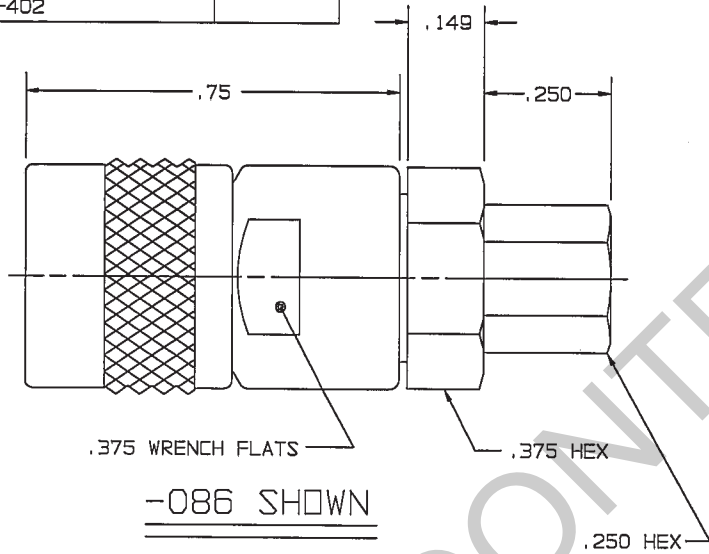


RED INDICATES ORIGINAL

DASH NO	CABLES ACCOMMODATED	ASSEMBLE PER	INCH	MM
-1	RG-58	TAI-135	.005	0.13
-2	RG-59		.03	0.76
-2A	B279 BELDEN	TAI-108	.080	2.03
-2B	730A AT&T ⁴		.149	3.78
-3	RG-223	TAI-135	.250	6.35
-4	RG-122		.375	9.23
-5	RG-174		.460	11.68
-5A	RG-196		.75	19.05
-22	RG-180			
-31	GRUMMAN GC875GP1	TAI-130		
-36	CXN1362; GDRE			
-086	RG-405			
-141	RG-402			

DWG SIZE **B**
 DATA CONTAINED IN THIS DOCUMENT IS PROPRIETARY TO TROMPETER ELECTRONICS INC. AND SHALL NOT BE DISCLOSED, COPIED OR USED FOR PROCUREMENT OR MANUFACTURE WITHOUT EXPRESS WRITTEN PERMISSION.

REVISIONS			1-0016		SH 1C
REV	ECO	DESCRIPTION	DWN	APPROVED	DATE
Y	13099	REDRAWN WITHOUT CHANGE TO ACCOMMODATE CUSTOMER NEED FOR ELECTRONIC FILE TRANSFER; SEE ECO	DKC	<i>[Signature]</i>	11/15/99



- ⁴ NOT WRENCH CRIMP
- 3. MALE TYPE TPS COAXIAL PLUG
- 2. FINISH: TFS-1A (NICKEL)
- 1. ALL DIMENSIONS ARE IN INCHES

QTY	DESCRIPTION		PART NUMBER	ITEM		
TOL UNLESS SPECIFIED			PL50			
.XX ±.03						
.XXX ±.005						
.XXXX ±						
ANGLE±						
DWN	DKC	10-20-99	MATERIAL	CODE IDENT	DRAWING NO.	REV
CHK	<i>[Signature]</i>	11-15-99		14949	1-0016	Y
ENGR	<i>[Signature]</i>					
NEXT ASSY	APPR	11-15-99	SCALE 4/1	DATE 8-5-66	SHEET	1C