



Chipsmall Limited consists of a professional team with an average of over 10 year of expertise in the distribution of electronic components. Based in Hongkong, we have already established firm and mutual-benefit business relationships with customers from,Europe,America and south Asia,supplying obsolete and hard-to-find components to meet their specific needs.

With the principle of “Quality Parts,Customers Priority,Honest Operation,and Considerate Service”,our business mainly focus on the distribution of electronic components. Line cards we deal with include Microchip,ALPS,ROHM,Xilinx,Pulse,ON,Everlight and Freescale. Main products comprise IC,Modules,Potentiometer,IC Socket,Relay,Connector.Our parts cover such applications as commercial,industrial, and automotives areas.

We are looking forward to setting up business relationship with you and hope to provide you with the best service and solution. Let us make a better world for our industry!



Contact us

Tel: +86-755-8981 8866 Fax: +86-755-8427 6832

Email & Skype: info@chipsmall.com Web: www.chipsmall.com

Address: A1208, Overseas Decoration Building, #122 Zhenhua RD., Futian, Shenzhen, China



RED INDICATES ORIGINAL

DASH NO	FIG NO	CABLES ACCOMMODATED	A DIM	B DIM	ASSEMBLE PER
-7	1.2	TRC-50-2	.096	1.846	TAI-189
-A7		TRC-75-2	\triangle	\triangle	TAI-189
-9		TWC-78-2			TAI-102
-23		TWC-124-2			TAI-189
		250-4816-009 MICRODOT			TAI-189
-29		TWC-78-1	.096	1.846	TAI-102
		TWC-124-1A			TAI-102
-33		TRC-75-1			TAI-189
-42		21-204 ESSEX 4463 CONSOLIDATED			TAI-189
-47	M17/176-00002			TAI-102	

OWG SIZE B DATA CONTAINED IN THIS DOCUMENT IS PROPRIETARY TO TROMPETER ELECTRONICS INC. AND SHALL NOT BE DISCLOSED, COPIED OR USED FOR PROCUREMENT OR MANUFACTURE WITHOUT EXPRESS WRITTEN PERMISSION.

REV		ED	DESCRIPTION	OWN	APPROVED	DATE
AA	11957		DELETED THICKER CLAMP NUT P/N 8-1591 AND "BR" VERSION P/N 8-2203; ON SH 2 B/M; DELETED NOTE 2; NOTE 3 BECOMES NOTE 2; RENUMBERED ITEM NUMBERS; SEE ECO	DKC	<i>Bur</i>	3/17/97

INCH	MM
.005	0.13
.030	0.76
.096	2.44
.374	9.50
.437	11.10
.505	12.83
.543	13.79
.575	14.61
1.337	33.96
1.846	46.89

FIG 1
-7 SHOWN

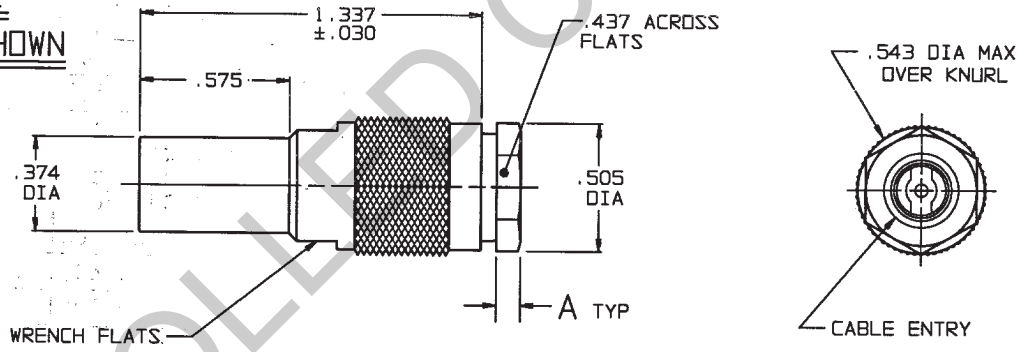
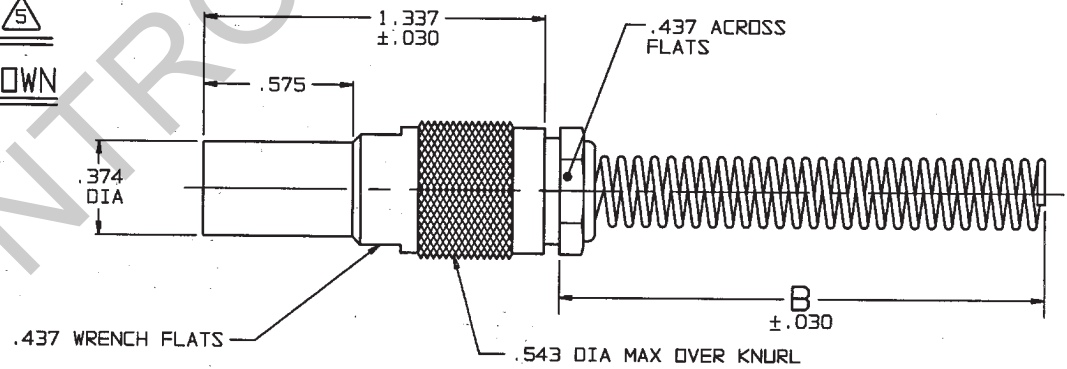


FIG 2
-7 SHOWN



- \triangle IF BEND RELIEF SPRING REQD (FIG 2) ADD SUFFIX "BR" TO MODEL NO
- 4. CONCENTRIC TWINAXIAL/TRIAXIAL PATCH PLUG
- \triangle CLAMP NUT OMITTED ON -A7 ONLY
- 2. FINISH: TFS-1A (NICKEL)
- 1. ALL DIM ARE IN INCHES

QTY	DESCRIPTION	PART NUMBER	ITEM
	TOL UNLESS SPECIFIED .xx ± .xxx ± .005 .xxxx ± ANGLES ±	TROMPETER RF connectivity <small>a cinch connectivity solutions brand</small>	PL71/BR
210-0003	DWN DKC 1-3-97	MATERIAL	CODE IDENT
1-0319	CHK <i>Bur</i> 3-17-97	14949	DRAWING NO. 310-0001
NEXT ASSY	ENGR	SCALE 2/1	REV AA
	APPR <i>Bur</i> 3/17/97	DATE 1-12-66	SHEET 1 OF 2