



Chipsmall Limited consists of a professional team with an average of over 10 year of expertise in the distribution of electronic components. Based in Hongkong, we have already established firm and mutual-benefit business relationships with customers from,Europe,America and south Asia,supplying obsolete and hard-to-find components to meet their specific needs.

With the principle of “Quality Parts,Customers Priority,Honest Operation,and Considerate Service”,our business mainly focus on the distribution of electronic components. Line cards we deal with include Microchip,ALPS,ROHM,Xilinx,Pulse,ON,Everlight and Freescale. Main products comprise IC,Modules,Potentiometer,IC Socket,Relay,Connector.Our parts cover such applications as commercial,industrial, and automotives areas.

We are looking forward to setting up business relationship with you and hope to provide you with the best service and solution. Let us make a better world for our industry!



## Contact us

Tel: +86-755-8981 8866 Fax: +86-755-8427 6832

Email & Skype: info@chipsmall.com Web: www.chipsmall.com

Address: A1208, Overseas Decoration Building, #122 Zhenhua RD., Futian, Shenzhen, China



DATA CONTAINED IN THIS DOCUMENT IS PROPRIETARY TO TROMPETER ELECTRONICS INC. AND SHALL NOT BE DISCLOSED, COPIED OR USED FOR PROCUREMENT OR MANUFACTURE WITHOUT EXPRESS WRITTEN PERMISSION OF TROMPETER ELECTRONICS INC.

<b>REVISIONS</b>		310-0072	SH 1
REV	DESCRIPTION	DATE	APPROVED
0	REVISED PER ECO 14192	8-7-01	<i>[Signature]</i>

**RED INDICATES ORIGINAL**

ASH NO	CABLES ACCOMMODATED	A DIM	B DIM	ASSEMBLE PER
-7	TRC-50-2	.296	2.046	TAI-172
-A7	TRC-75-2	<u>3</u>	<u>3</u>	
-9	TWC-78-2 TWC-124-2	.296	2.046	TAI-171
-23	250-4816-009 MICRODOT	.096	1.864	TAI-172
-29	TWC-78-1 TWC-124-1A			TAI-171
-42	21-204 ESSEX 4463 CONSOLIDATED			TAI-172
-47	M17/176-00002			TAI-171

NCH	MM
005	0.13
060	1.52
096	2.44
296	7.52
374	9.50
437	11.10
500	12.70
513	13.03
.689	42.90
.864	47.35
.046	51.97
.514	63.86

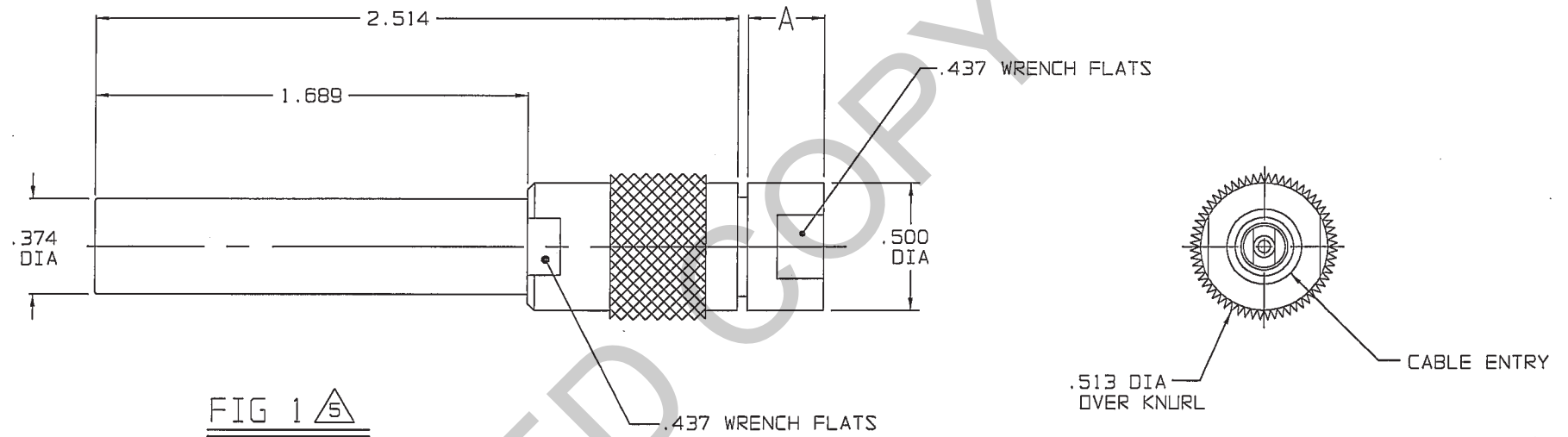


FIG 1 5  
-9 SHOWN

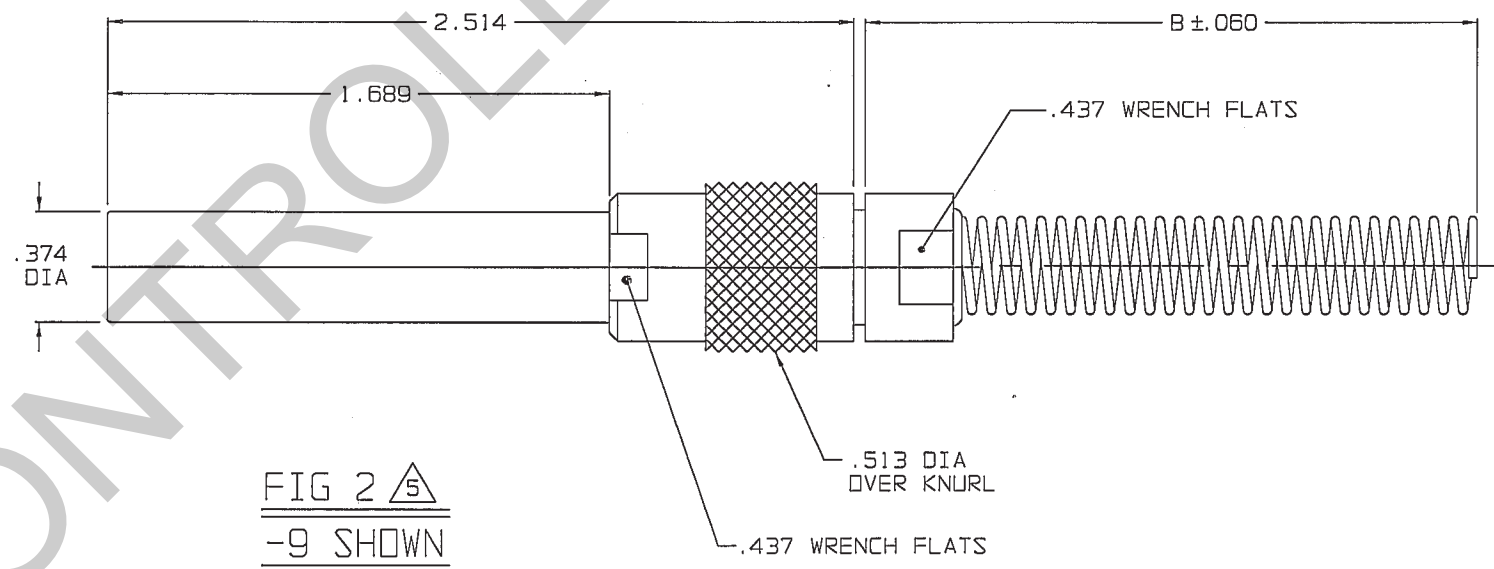


FIG 2 5  
-9 SHOWN

- 5 IF BEND RELIEF SPRING IS REQUIRED (FIG 2) ADD SUFFIX "BR" TO MODEL NO.
- 4. CONCENTRIC TWINAXIAL/TRIAXIAL PATCH PLUG
- 3 CLAMP NUT OMITTED ON -A7 ONLY
- 2. FINISH: TFS-1A (NICKEL)
- 1. ALL DIMENSIONS SHALL BE IN INCHES

INTERPRET DRAWING PER MIL-STD-100 DIMENSIONS ARE IN INCHES AND INCLUDE FINISH THICKNESS UNLESS OTHERWISE SPECIFIED		TOL: UNLESS SPECIFIED .XX .XXX ± .005 .XXXX ANGLES			
DRAWN: WAH	DATE: 8-6-01	MATERIAL:	FINISH:		
CHECKED: <i>[Signature]</i>	DATE: 8-6-01	DO NOT SCALE DWG	SCALE: 2/1	SIZE: A	CAGE CODE: 14949
QUALITY:	DATE: 8-6-01	DRAWING NO.: 310-0072	DATE: 10/11/88	REV.: D	SHEET: 1C
APPROVED: <i>[Signature]</i>	DATE: 8-6-01	FILE NO.: 310-007201			