



Chipsmall Limited consists of a professional team with an average of over 10 year of expertise in the distribution of electronic components. Based in Hongkong, we have already established firm and mutual-benefit business relationships with customers from,Europe,America and south Asia,supplying obsolete and hard-to-find components to meet their specific needs.

With the principle of “Quality Parts,Customers Priority,Honest Operation,and Considerate Service”,our business mainly focus on the distribution of electronic components. Line cards we deal with include Microchip,ALPS,ROHM,Xilinx,Pulse,ON,Everlight and Freescale. Main products comprise IC,Modules,Potentiometer,IC Socket,Relay,Connector.Our parts cover such applications as commercial,industrial, and automotives areas.

We are looking forward to setting up business relationship with you and hope to provide you with the best service and solution. Let us make a better world for our industry!



Contact us

Tel: +86-755-8981 8866 Fax: +86-755-8427 6832

Email & Skype: info@chipsmall.com Web: www.chipsmall.com

Address: A1208, Overseas Decoration Building, #122 Zhenhua RD., Futian, Shenzhen, China



DASH NO	CABLES ACCOMMODATED	A DIM	B DIM	C FLATS	D FLATS	E DIA	ASSEMBLE PER
-7	TRC-50-2 TRC-75-2	1.135	.096	.438	.438	.500	TAI-189
-8	8227, BELDEN	1.716	.130	.625	.688	.750	TAI-103
-9	TWC-78-2 TWC-124-2	1.135	.096	.438	.438	.500	TAI-102
-A9	BL782, TIMES BL982, TIMES BL1242, TIMES						
-10	RG-22 754E, AT&T						
-11	760A, AT&T	1.716	.130	.625	.688	.750	TAI-103
-12	16 PEVL, AT&T V1-AL, GENERAL						TAI-128
-13	TRF-59, TIMES						TAI-129
-13A	8232, BELDEN						TAI-165
-14	8233, BELDEN						TAI-129
-23	250-3884, MICRODOT						TAI-189
-24	202-3934, MICRODOT						TAI-102
-24A	9530A5117, RAYCHEM						TAI-189
-25	T-43M, GENERAL						TAI-102
-25A	5021H5331, RAYCHEM						TAI-189
-26	7028A5518, RAYCHEM	1.135	.096	.438	.438	.500	TAI-102
-27	T19TPSJ2619EN, WOVEN 202-3927, MICRODOT 202-3942, MICRODOT						
-29	TWC-78-1/TWC-124-1A						
-30	761A, AT&T 8441, BELDEN						
-32	TRC-50-1	1.716	.130	.625	.688	.750	TAI-189
-33	TRC-75-1						
-42	21-204, ESSEX 4463, CONSOLIDATED						TAI-189
-43	250-4044/250-4045 293-3930, MICRODOT						
-45	M27500-22TE2T14 1100-66F, STANDARD						TAI-102
-46	9860, BELDEN						
-47	M17/176-00002						
-49	TWAC-78-1F2						
-54	89207, BELDEN						
-55	89272, BELDEN						
-56	GC875GC1, GRUMMAN	1.135	.096	.438	.438	.500	TAI-189
-57	GC875GB1, GRUMMAN						
-58	GC875TM24H, GRUMMAN						TAI-102
-59	GC875LN1, GRUMMAN						
-60	M17/177, THERMATICS 380-10045, BOEING						TAI-189
-64	7528A5314, RAYCHEM						

DATA CONTAINED IN THIS DOCUMENT IS PROPRIETARY TO TROMPETER ELECTRONICS INC. AND SHALL NOT BE DISCLOSED, COPIED OR USED FOR PROCUREMENT OR MANUFACTURE WITHOUT EXPRESS WRITTEN PERMISSION OF TROMPETER ELECTRONICS INC.

REVISIONS		310-0025	SH 1
REV	DESCRIPTION	DATE	APPROVED
U	REVISED PER ECD 14778	11-5-02	RAM

CABLE ENTRY			
DASH NO	DIA	DASH NO	DIA
-7	.274	-29	.191
-8	.345	-30	.235
-9	.285	-32	.191
-A9	.285	-33	.217
-10	.455	-42	.300
-11	.347	-43	.200
-12	.485	-45	.183
-13	.362	-46	.475
-13A	.352	-47	.164
-14	.490	-49	.132
-23	.183	-54	.323
-24	.191	-55	.250
-24A	.200	-56	.191
-25	.285	-57	.191
-25A	.285	-58	.198
-26	.191	-59	.198
-27	.145	-60	.217
		-64	.183

FIG 1 Δ
-9 SHOWN

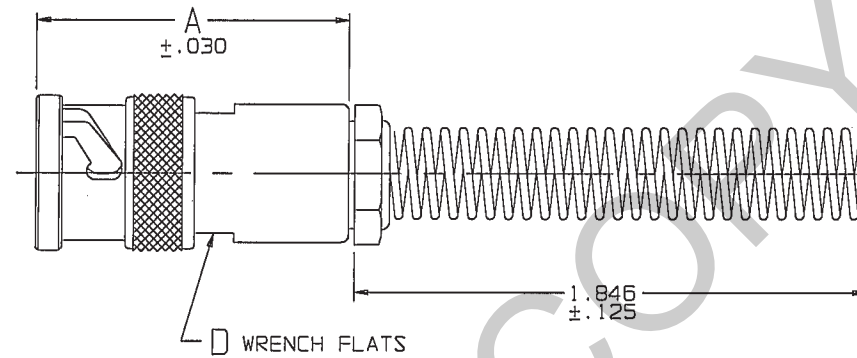
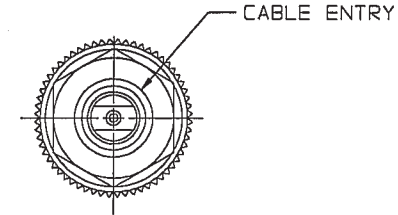
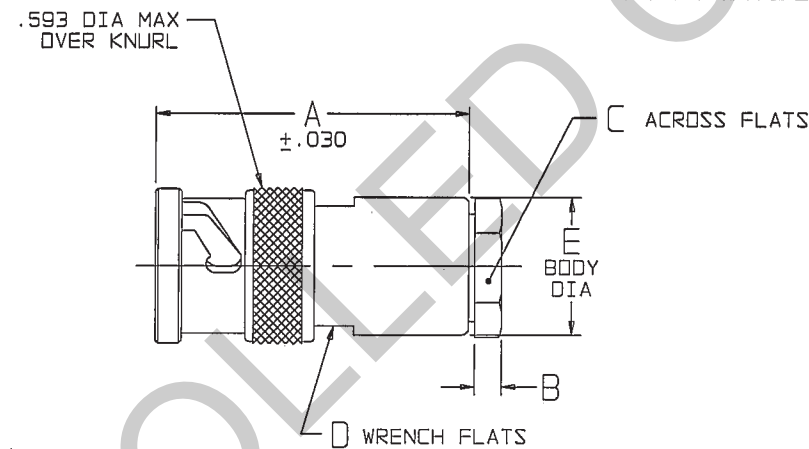


FIG 2
-9 SHOWN



RED INDICATES ORIGINAL

6. EXAMPLE OF A COMPLETE MODEL NO.

PL74 -47 Δ

BASIC MODEL NO. DASH NO.

Δ IF BEND RELIEF SPRING REQD (SEE FIG 1)
ADD SUFFIX "BR" TO MODEL NO
(NOT AVAILABLE WITH CABLE GROUPS -8, -10, -11,
-12, -13, -13A, -14, -46 & -54)

Δ CLAMP NUT OMITTED

Δ 2-LUG BAYONET CONCENTRIC TWINAX/TRIAX TRB CABLE PLUG

2. FINISH: TFS-1A (NICKEL)

1. ALL DIM ARE IN INCHES

TYPE Δ	DASH NO/CABLE GROUP																
TWINAX	-8	-9	-A9	-10	-11	-12	-24	-25	-27	-29	-30	-45	-46	-47	-49	-54	-55
TRIAX	-7	-13	-13A	-14	-23	-24A	-25A	-26	-32	-33	-42	-43	-56	-57	-59	-60	-64
QUADRAx	-58																

INTERPRET DRAWING PER MIL-STD-100
DIMENSIONS ARE IN INCHES
AND INCLUDE FINISH THICKNESS
UNLESS OTHERWISE SPECIFIED

DRAWN: AAH
DATE: 11-4-02
CHECKED: [Signature]
DATE: 11-5-02
QUALITY: [Signature]
DATE: 11-5-02
HANDLED: [Signature]
DATE: 11-5-02
APPROVED: [Signature]
DATE: 11-4-02
CAD FILE NO: 310-0025U

TOL: UNLESS SPECIFIED
.XX
.XXX ±.005
.XXXX
ANGLES

TROMPETER
RF connectivity
a cinch connectivity solutions brand

TITLE: PL74/PL74BR
SIZE: B
CAGE CODE: 14949
DRAWING NO.: 310-0025
REV.: U
SCALE: NONE
DATE: 3/27/78
SHEET: 1C

305-0515
NEXT ASSY

DO NOT SCALE DWG