



Chipsmall Limited consists of a professional team with an average of over 10 year of expertise in the distribution of electronic components. Based in Hongkong, we have already established firm and mutual-benefit business relationships with customers from,Europe,America and south Asia,supplying obsolete and hard-to-find components to meet their specific needs.

With the principle of “Quality Parts,Customers Priority,Honest Operation,and Considerate Service”,our business mainly focus on the distribution of electronic components. Line cards we deal with include Microchip,ALPS,ROHM,Xilinx,Pulse,ON,Everlight and Freescale. Main products comprise IC,Modules,Potentiometer,IC Socket,Relay,Connector.Our parts cover such applications as commercial,industrial, and automotives areas.

We are looking forward to setting up business relationship with you and hope to provide you with the best service and solution. Let us make a better world for our industry!



## Contact us

Tel: +86-755-8981 8866 Fax: +86-755-8427 6832

Email & Skype: info@chipsmall.com Web: www.chipsmall.com

Address: A1208, Overseas Decoration Building, #122 Zhenhua RD., Futian, Shenzhen, China



# RED INDICATES ORIGINAL

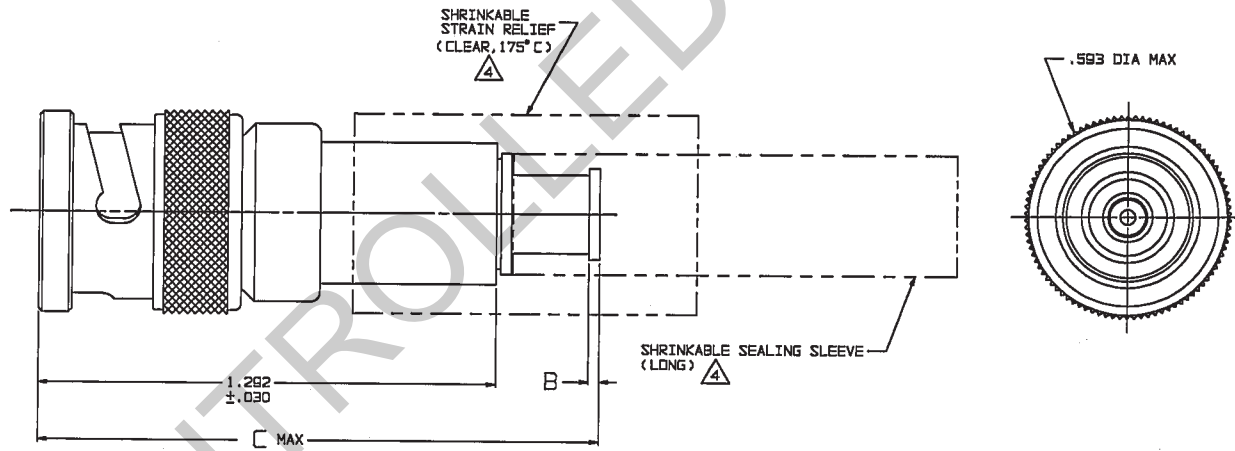
DWG SIZE: **C**  
 DATA CONTAINED IN THIS DOCUMENT IS PROPRIETARY TO TROMPETER ELECTRONICS INC. AND SHALL NOT BE DISCLOSED, COPIED OR USED FOR REPRODUCTION OR MANUFACTURE WITHOUT EXPRESS WRITTEN PERMISSION.

REVISIONS			310-0055	SH 1	
REV	EO	DESCRIPTION	DWN	APPROVED	DATE
N	12087	-306 & -308 TAI-218 WAS TAI-168; SEE ECO	DKC	WJM (96)	8/26/99

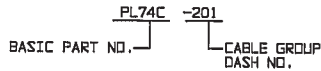
DASH NO	CABLES ACCOMMODATED	A HEX	B DIM	C MAX	ASSEMBLE PER
-201	M17/176-00002	.344	.030	1.70	TAI-168
-202	TWC-78-1				
-203	TWC-124-1A				
-204	10602, RAYCHEM				
-205	TWAC-78-1F2				
-206	782600130 RAYCHEM				
-207	83310, BELDEN				
-208	202-3927, MICRODOT				
-209	202-3942, MICRODOT				
-210	8451, BELDEN				
-211	202-3934, MICRODOT				
-212	2524E0114, RAYCHEM				
-213	TWC-78-2				
-214	TWC-124-2				
-215	BL982, TIMES				
-216	BL1242, TIMES				
-217	GC875TM24H, GRUMMAN				
-218	EDP221888, RAYCHEM				
-219	252801114, RAYCHEM				
-220	GC875RRI, GRUMMAN				
-221	10614, RAYCHEM				
-222	10513, RAYCHEM				
-223	HMS2-1149, HUGHES				

DASH NO	CABLES ACCOMMODATED	A HEX	B DIM	C MAX	ASSEMBLE PER
-301	GC875GC1, GRUMMAN	.344	.030	1.70	TAI-168
-302	GC875GB1, GRUMMAN				
-302	5022E5111, RAYCHEM				
-303	7528A5314, RAYCHEM				
-304					
-305	M17/177-00001, THERMATICS				
-306	TRC-50-2				
-306	M17/134-00002				
-307	TRC-75-1				
-307					
-308	TRC-75-2				
-308					
-309	TRC-50-1				
-309					

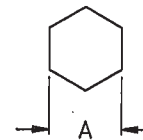
INCH	MM
.005	0.13
.030	0.76
.344	8.74
.593	15.08
1.25	31.75
1.00	25.40
1.292	32.82
1.44	36.58
1.70	43.18
1.75	44.45



5. EXAMPLE OF COMPLETE MODEL NO:



-202 SHOWN



RECOMMENDED  
 HEX CRIMP  
 SCALE: 2/1

1 SHRINKABLE STRAIN RELIEF AND/OR SHRINKABLE SEALING SLEEVE SUPPLIED LOOSE AS FOLLOWS:

- a. CABLE GROUPS -201 THROUGH -210, -217 THROUGH -303, -305, -307 & -308
  - 1 SHRINKABLE STRAIN RELIEF (1.00 LONG)
  - 1 SHRINKABLE SEALING SLEEVE (1.25 LONG)
- b. CABLE GROUPS -211 THROUGH -216 & -306 & -308
  - 1 SHRINKABLE STRAIN RELIEF (1.75 LONG)

3. 2-LUG BAYONET CONCENTRIC TWINAX/TRIAX TRB, FULL CRIMP CABLE PLUG

2. FINISH: TFS-1A (NICKEL)

1. ALL DIM ARE IN INCHES

QTY	DESCRIPTION	PART NUMBER	ITEM
TOL UNLESS SPECIFIED .001 ± .0005 ± 3000C ANGLES:	<b>TROMPETER</b> RF connectivity	PL74C	
DWN	DKC B-4-97	MATERIAL	CODE IDENT
CHK	WJM R-20-97	14949	DRAWING NO. 310-0055
ENGR			REV N
NEXT ASSY	APPR WJM/sg	SCALE 4/1	DATE 4/3/95 SHEET 1 OF 2