



Chipsmall Limited consists of a professional team with an average of over 10 year of expertise in the distribution of electronic components. Based in Hongkong, we have already established firm and mutual-benefit business relationships with customers from,Europe,America and south Asia,supplying obsolete and hard-to-find components to meet their specific needs.

With the principle of "Quality Parts,Customers Priority,Honest Operation,and Considerate Service",our business mainly focus on the distribution of electronic components. Line cards we deal with include Microchip,ALPS,ROHM,Xilinx,Pulse,ON,Everlight and Freescale. Main products comprise IC,Modules,Potentiometer,IC Socket,Relay,Connector.Our parts cover such applications as commercial,industrial, and automotives areas.

We are looking forward to setting up business relationship with you and hope to provide you with the best service and solution. Let us make a better world for our industry!



Contact us

Tel: +86-755-8981 8866 Fax: +86-755-8427 6832

Email & Skype: info@chipsmall.com Web: www.chipsmall.com

Address: A1208, Overseas Decoration Building, #122 Zhenhua RD., Futian, Shenzhen, China

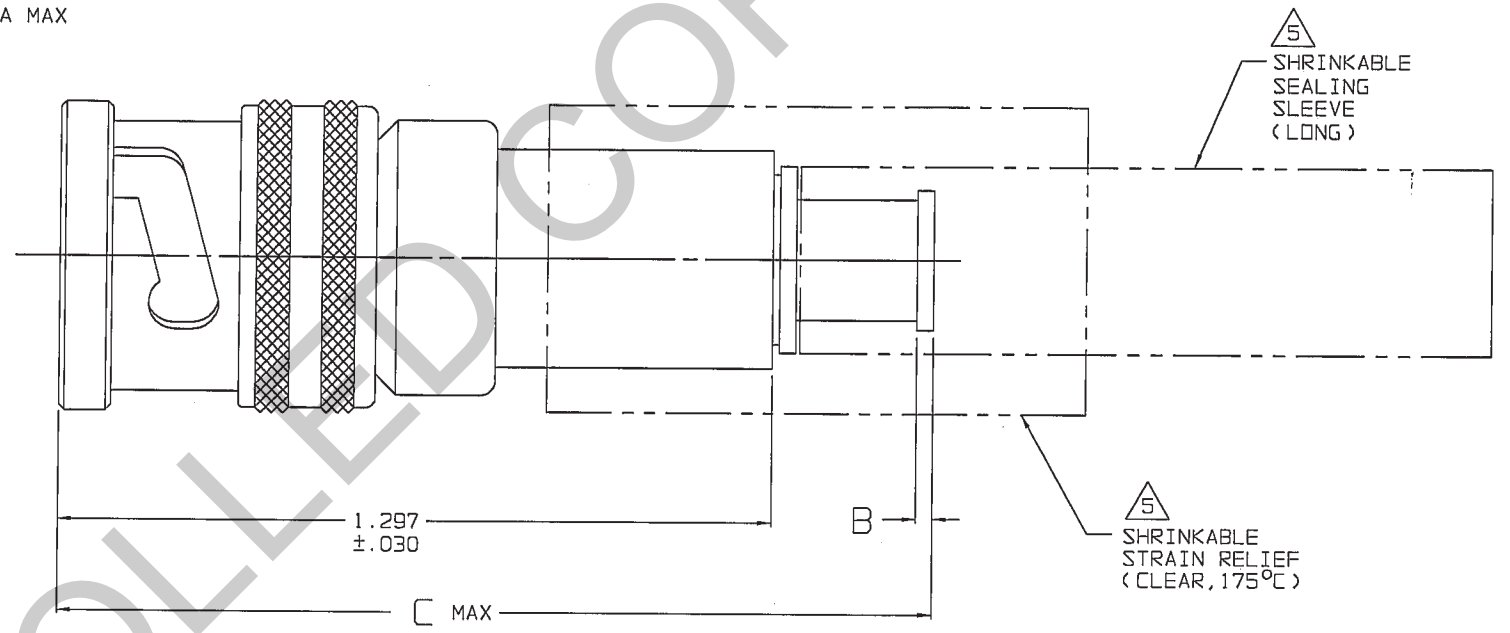
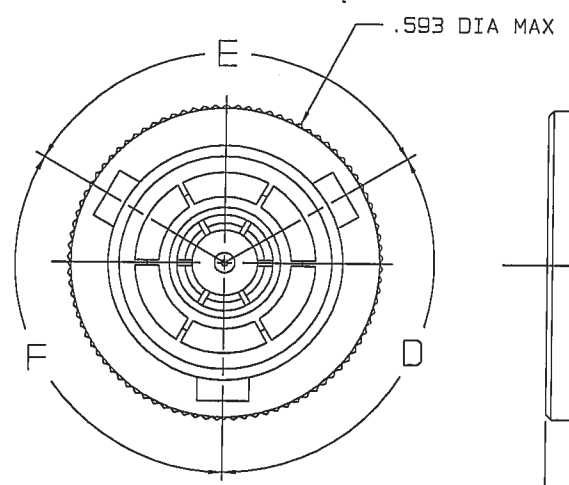


DATA CONTAINED IN THIS DOCUMENT IS PROPRIETARY TO TROMPETER ELECTRONICS INC. AND SHALL NOT BE DISCLOSED, COPIED OR USED FOR PROCUREMENT OR MANUFACTURE WITHOUT EXPRESS WRITTEN PERMISSION OF TROMPETER ELECTRONICS INC.

| REVISIONS | | 310-0054 | SH 1 |
|-----------|-----------------------|----------|-----------|
| REV | DESCRIPTION | DATE | APPROVED |
| AD | REVISED PER ECD 14825 | 11/26/02 | <i>AM</i> |

RED INDICATES ORIGINAL

| DASH NO | CABLES ACCOMMODATED | A HEX | B DIM | C MAX | ASSEMBL PER |
|---------|---------------------------|-------|-------|-------|-------------|
| -201 | M17/176-00002 | .344 | .030 | 1.70 | TAI-166 |
| -202 | TWC-78-1 | | | | |
| -203 | TWC-124-1A | | | | |
| -204 | 10602 RAYCHEM | | | | |
| -205 | TWAC-78-1F2 | | | | |
| -206 | 7826D0130 RAYCHEM | | | | |
| -207 | 83310 BELDEN | | | | |
| -208 | 202-3927 MICRODDT | | | | |
| -209 | 202-3942 MICRODDT | | | | |
| -210 | 8451 BELDEN | | | | |
| -211 | 202-3934 MICRODDT | | | | |
| -212 | 2524E0114 RAYCHEM | | | | |
| -213 | TWC-78-2 | | | | |
| -214 | TWC-124-2 | | | | |
| -215 | BL982, TIMES | | | | |
| -216 | BL1242, TIMES | | | | |
| -217 | GC875TM24H GRUMMAN | | | | |
| -218 | EDP22188B, RAYCHEM | | | | |
| -219 | 2526D1114 RAYCHEM | | | | |
| -220 | GC875RR1, GRUMMAN | | | | |
| -221 | 10614, RAYCHEM | | | | |
| -222 | 10613, RAYCHEM | | | | |
| -223 | HMS2-1149, HUGHES | | | | |
| -224 | TWCP-124-3 | | | | |
| -225 | PS665PL, PRIME STOCK | | | | |
| -301 | GC875GC1, GRUMMAN | | | | |
| -302 | GC875GB1, GRUMMAN | | | | |
| -303 | 7528A5314, RAYCHEM | | | | |
| -304 | | | | | |
| -305 | M17/177-00001, THERMATICS | | | | |
| -306 | TRC-50-2 M17/134-00002 | | | | |
| -307 | TRC-75-1 | | | | |
| -308 | TRC-75-2 | | | | |
| -309 | TRC-50-1 | | | | |



6. FOR TOOL CRIMP CONNECTOR QUALIFIED TO MIL-C-49142, SEE DRAWING 3-0285 (PL75MC)

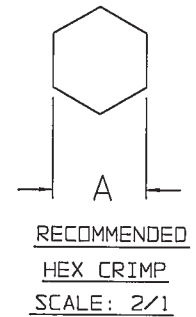
1 SHRINKABLE STRAIN RELIEF AND/OR SHRINKABLE SEALING SLEEVE SUPPLIED LOOSE AS FOLLOWS:

- a. CABLE GROUPS -201 THROUGH -210, -217 THROUGH -223, -301, -302, -303, -305, -307 & -309
 - 1 SHRINKABLE STRAIN RELIEF (1.00 LONG)
 - 1 SHRINKABLE SEALING SLEEVE (1.25 LONG)
- b. CABLE GROUPS -211 THROUGH -216, -224, -225, -306 & -308
 - 1 SHRINKABLE STRAIN RELIEF (1.75 LONG)

4. EXAMPLE OF COMPLETE MODEL NO:
 PL75C T - 201
 BASIC MODEL NO ——— CABLE GROUP DASH NO
 POLARIZATION LETTER ——— (SEE TABLE 1)
 NONE REQD FOR STD POLARIZATION (SEE TABLE 2)

- 3. CONCENTRIC TWIAX/TRIAX 3-LUG TRB, FULL CRIMP CABLE PLUG
- 2. FINISH: TFS-1A (NICKEL)
- 1. ALL DIMENSIONS ARE IN INCHES

-202 SHOWN



| KEY LETTER | D DEGREES | E DEGREES | F DEGREES | COLOR BAND |
|------------|-----------|-----------|-----------|------------|
| NONE | 120° | 120° | 120° | NONE |
| T | 100° | 150° | 110° | RED |
| U | 120° | 130° | 110° | ORANGE |
| V | 115° | 130° | 115° | YELLOW |
| W | 125° | 110° | 125° | GREEN |
| X | 130° | 100° | 130° | BLUE |
| Y | 110° | 140° | 110° | VIOLET |
| Z | 100° | 160° | 100° | GRAY |
| S | 135° | 135° | 90° | WHITE |

| | | | | |
|--|----------------|--|------------------------------|------------------|
| INTERPRET DRAWING PER MIL-STD-100 DIMENSIONS ARE IN INCHES AND INCLUDE FINISH THICKNESS UNLESS OTHERWISE SPECIFIED | | TOL: UNLESS SPECIFIED .XX .XXX ±.005 .XXXX ANGLE | | |
| DRAWN: AAH | DATE: 11-22-02 | MATERIAL: | TITLE: PL75C/T/U/V W/X/Y/Z/S | |
| CHECKED: S.K. | DATE: 11-22-02 | FINISH: | SIZE: B | CAGE CODE: 14949 |
| QUALIFIED: | DATE: 11/26/02 | | DRAWING NO: 310-0054 | REV. AD |
| MANUFACTURED: | DATE: 11/26/02 | | SCALE: NONE | DATE: 4/10/84 |
| APPROVED: | DATE: 11/25/02 | | DO NOT SCALE DWG | SHEET 1C |
| CAD FILE NO: 310-0054AD | | | | |