



Chipsmall Limited consists of a professional team with an average of over 10 year of expertise in the distribution of electronic components. Based in Hongkong, we have already established firm and mutual-benefit business relationships with customers from,Europe,America and south Asia,supplying obsolete and hard-to-find components to meet their specific needs.

With the principle of “Quality Parts,Customers Priority,Honest Operation,and Considerate Service”,our business mainly focus on the distribution of electronic components. Line cards we deal with include Microchip,ALPS,ROHM,Xilinx,Pulse,ON,Everlight and Freescale. Main products comprise IC,Modules,Potentiometer,IC Socket,Relay,Connector.Our parts cover such applications as commercial,industrial, and automotives areas.

We are looking forward to setting up business relationship with you and hope to provide you with the best service and solution. Let us make a better world for our industry!



Contact us

Tel: +86-755-8981 8866 Fax: +86-755-8427 6832

Email & Skype: info@chipsmall.com Web: www.chipsmall.com

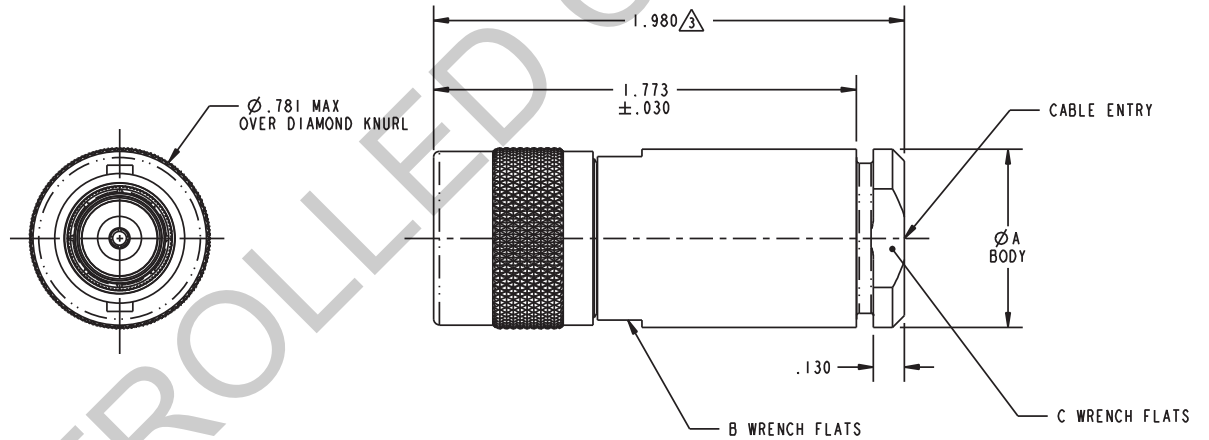
Address: A1208, Overseas Decoration Building, #122 Zhenhua RD., Futian, Shenzhen, China



DASH NO	CABLES ACCOMMODATED	Ø A	B FLATS	C FLATS	ASSEMBLE PER	
-7	TRC-50-2/TRC-75-2	.750	.687	.625	TAI-175	
-8	8227, BELDEN				TAI-116	
-9	TWC-78-2, RG-108 TWC-124-2					
-10	754E, W.E.CO., RG-22					
-11	760A, W.E.CO.					
-12	16PEVL, W.E.CO.					
-13	TRF-59, TIMES					
-13A	8232, BELDEN					
-14	21-529, ESSEX 8233, BELDEN					
-14A	TRC-50-4A					.990
-15	21-583, ESSEX					
-16	21-950, ESSEX	.750	.687	.625	TAI-116	
-26	275-3962, MICROOOT				TAI-175	
-29	TWC-124-1A				TAI-116	
-32	TRC-50-1				TAI-175	
-33	TRC-75-1				TAI-124	
-42	21-204, ESSEX				TAI-175	
-46	9860, BELDEN				TAI-116	
-47	MI7/176-00002					
-54	89207, BELDEN					
-55	89272 BELDEN				.990	.875
-61	5012W5812, RAYCHEM					
-62	7518A0811, RAYCHEM					

DATA CONTAINED IN THIS DOCUMENT IS PROPRIETARY TO CINCH CONNECTIVITY SOLUTIONS AND SHALL NOT BE DISCLOSED, COPIED OR USED FOR PROMOTION OR MANUFACTURE WITHOUT EXPRESS WRITTEN PERMISSION

REVISIONS			
REV	DESCRIPTIONS	DATE	APPROVED
AF	ECO 53317	6/20/11	TKO



-9 SHOWN

4. CONCENTRIC TWINAX/TRIAX "C" STYLE CABLE PLUG W/SOCKET CENTER CONTACT

⊠ DIM IS MAX WHEN ASSEMBLED TO CABLE

2. INTERFACE: TCS-PL80

⚠ FINISH: TFS-1A (NICKEL)

NOTES: UNLESS OTHERWISE SPECIFIED.

INTERPRET DRAWING PER MIL-STD-100. DIMENSIONS ARE IN INCHES AND INCLUDE FINISH THICKNESS UNLESS OTHERWISE SPECIFIED. UNLESS OTHERWISE SPECIFIED, CRITICAL

COL: UNLESS SPECIFIED: .XX ± .01 .XXX ± .005 .XXXX ± .0010 ANGLE ± P° 00°



Cinch Connectivity Solutions
299 Johnson Ave. Ste. 100
Waseca, MN 56093
1-800-247-8256

MATERIAL:		TITLE: PL80	
DATE: 6/20/11	BY: TKO	DATE: 6/22/11	BY: TKO
QUALITY:	FINISH: ⚠	SIZE: B	CAGE CODE: 14949
BLANK LENGTH (REF. ONLY):	APPROVED:	DRAWING NO.: 1-0156	REV: AF
N/A	PROF FILE NO: 1-0156	SCALE: 1/1	DATE: 4/28/09
SURFACE AREA:	DO NOT SCALE DIM:	SHEET: 1	OF 2