



Chipsmall Limited consists of a professional team with an average of over 10 year of expertise in the distribution of electronic components. Based in Hongkong, we have already established firm and mutual-benefit business relationships with customers from,Europe,America and south Asia,supplying obsolete and hard-to-find components to meet their specific needs.

With the principle of “Quality Parts,Customers Priority,Honest Operation,and Considerate Service”,our business mainly focus on the distribution of electronic components. Line cards we deal with include Microchip,ALPS,ROHM,Xilinx,Pulse,ON,Everlight and Freescale. Main products comprise IC,Modules,Potentiometer,IC Socket,Relay,Connector.Our parts cover such applications as commercial,industrial, and automotives areas.

We are looking forward to setting up business relationship with you and hope to provide you with the best service and solution. Let us make a better world for our industry!



Contact us

Tel: +86-755-8981 8866 Fax: +86-755-8427 6832

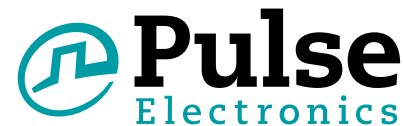
Email & Skype: info@chipsmall.com Web: www.chipsmall.com

Address: A1208, Overseas Decoration Building, #122 Zhenhua RD., Futian, Shenzhen, China



SMT POWER INDUCTORS

Shielded Drum Core - PL95XX Series



- Height:** 0.122 inches (3.1mm) Max
- Footprint:** 0.256 inches x 0.256 inches (6.5mm x 6.5mm) Max
- Inductance Range:** 2.15 μ H to 85.39 μ H
- Current Rating:** up to 2.60A
- MSL:** 1
- Max Reflow Temp:** 235°C
- Storage Temp:** -55°C to +125°C

Electrical Specifications @ 25°C — Operating Temperature -55°C to +130°C

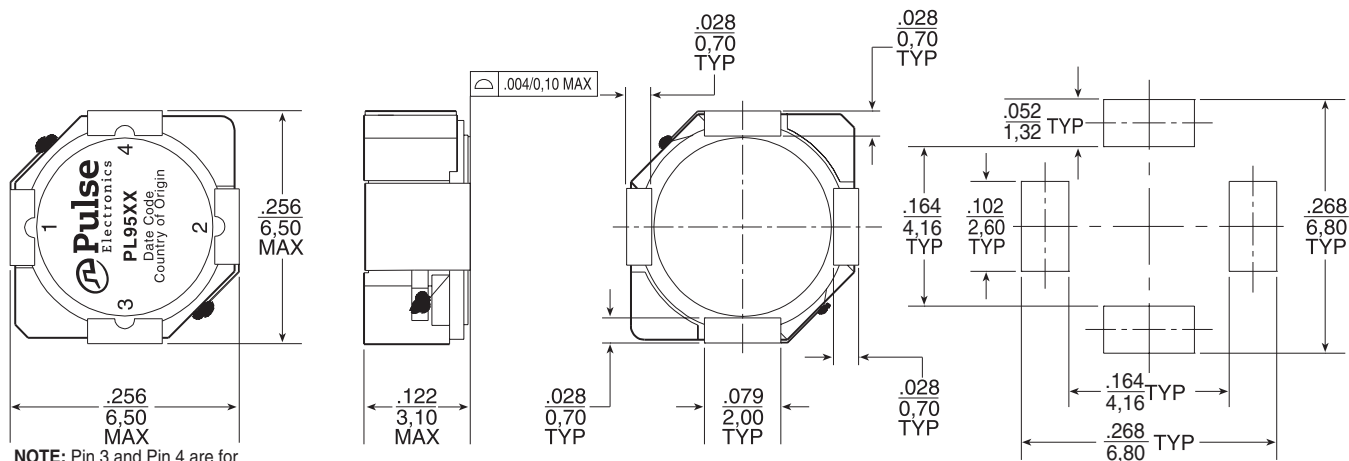
Part Numbers	Inductance @Irated (μ H TYP)	Irated ² (A)	DCR (m Ω)		Inductance @0A _{dc} (μ H)	Saturation ³ Current (A) @25°C	Heating ⁴ Current (A)
			TYP	MAX			
PL9501	2.15	2.60	15.3	17.6	2.5*	2.60	3.45
PL9502	2.58	2.30	16.6	20.3	3.3*	2.30	3.31
PL9503	3.43	2.10	22.5	27.0	4.0*	2.10	2.84
PL9504	4.63	1.85	24.9	31.1	5.0*	1.85	2.70
PL9505	5.22	1.70	32.3	41.9	6.0*	1.70	2.37
PL9506	6.57	1.50	37.9	49.9	8.0*	1.50	2.19
PL9507	8.65	1.30	45	54	10	1.30	2.01
PL9508	9.78	1.20	59	72	12	1.20	1.76
PL9509	12.13	1.10	66	82	15	1.10	1.65
PL9510	15.23	1.05	88	102	18	1.05	1.44
PL9511	18.70	0.95	103	119	22	0.95	1.33
PL9512	21.54	0.85	114	146	27	0.85	1.26
PL9513	27.71	0.76	155	183	33	0.76	1.08
PL9514	33.57	0.68	193	210	39	0.68	0.97
PL9515	40.15	0.60	196	230	47	0.60	0.96
PL9516	49.68	0.55	248	305	56	0.55	0.86
PL9517	60.66	0.48	278	351	68	0.48	0.81
PL9518	74.71	0.45	323	419	82	0.45	0.75
PL9519	85.39	0.40	417	520	100	0.40	0.66

*Inductance at 0A_{dc} tolerance on indicated part numbers is \pm 30%; tolerance is \pm 20% on all other parts. Optional Tape & Reel packaging can be ordered by adding a "T" suffix to the part number (i.e. PL9501 becomes PL9501T).

NOTES FROM TABLE: (See back page)

Mechanical

PL95XX



NOTE: Pin 3 and Pin 4 are for mechanical connection only.

SUGGESTED PAD LAYOUT

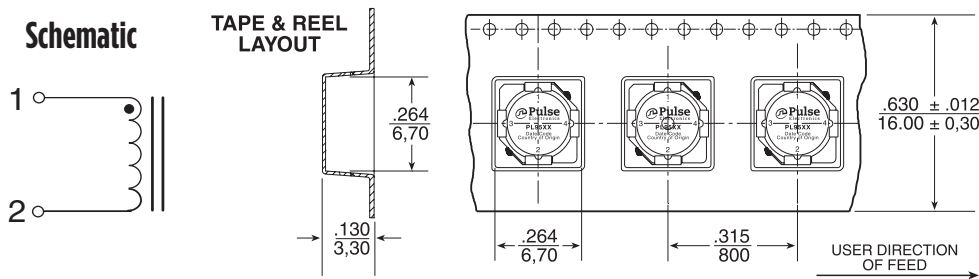
SMT POWER INDUCTORS

Shielded Drum Core - PL95XX Series



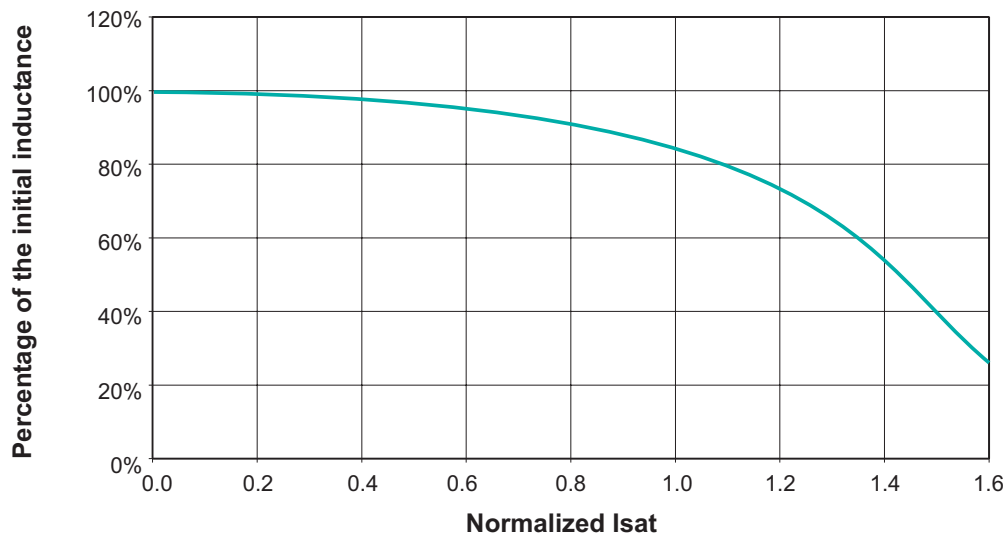
Notes from Tables

1. Temperature of the component (ambient plus temperature rise) must be within specified operating temperature range.
2. The rated current as listed is either the saturation current or the heating current depending on which value is lower.
3. The saturation current is the current which causes the inductance to drop to 75% of its initial inductance at zero bias. This current is determined by placing the component at room ambient (25°C), and applying a short duration pulse current (to eliminate self-heating effects) to the component.
4. The heating current is the DC current, which causes the temperature of the part to increase by approximately 40°C. This current is determined by extending the terminals of the component with 30mm length 28 gauge buss wires and applying the current to the device for 30 minutes. The temperature is measured by placing the thermocouple between the winding and the shield.
5. In high volt*time applications, additional heating in the component can occur due to core losses in the inductor which may necessitate derating the current in order to limit the temperature rise of the component. In order to determine the approximate total loss (or temperature rise) for a given application, both copper losses and core losses should be taken into account.



Weight 0.6 grams
 Tape & Reel 2200/reel
 Dimensions: Inches
 mm
 Unless otherwise specified,
 all tolerances are ± .010
 0.25

Inductance vs Current Characteristics



For More Information

Pulse North America Headquarters
 Two Pearl Buck Court
 Bristol, PA 19007
 U.S.A.

Tel: 215 781 6400
 Fax: 215 781 6403

Pulse Europe
 Einsteinstrasse 1
 D-71083 Herrenberg
 Germany

Tel: 49 7032 7806 0
 Fax: 49 7032 7806 135

Pulse China Headquarters
 B402, Shenzhen Academy of
 Aerospace Technology Bldg.
 10th Kejinan Road
 High-Tech Zone
 Nanshan District
 Shenzhen, PR China 518057

Tel: 86 755 33966678
 Fax: 86 755 33966700

Pulse North China
 Room 2704/2705
 Super Ocean Finance Ctr.
 2067 Yan An Road West
 Shanghai 200336
 China

Tel: 86 21 62787060
 Fax: 86 2162786973

Pulse South Asia
 135 Joo Seng Road
 #03-02
 PM Industrial Bldg.
 Singapore 368363

Tel: 65 6287 8998
 Fax: 65 6287 8998

Pulse North Asia
 3F, No. 198
 Zhongyuan Road
 Zhongli City
 Taoyuan County 320
 Taiwan R. O. C.

Tel: 886 3 4356768
 Fax: 886 3 4356823 (Pulse)
 Fax: 886 3 4356820 (FRE)

Performance warranty of products offered on this data sheet is limited to the parameters specified. Data is subject to change without notice. Other brand and product names mentioned herein may be trademarks or registered trademarks of their respective owners. © Copyright, 2011. Pulse Electronics, Inc. All rights reserved.