



Chipsmall Limited consists of a professional team with an average of over 10 year of expertise in the distribution of electronic components. Based in Hongkong, we have already established firm and mutual-benefit business relationships with customers from,Europe,America and south Asia,supplying obsolete and hard-to-find components to meet their specific needs.

With the principle of “Quality Parts,Customers Priority,Honest Operation,and Considerate Service”,our business mainly focus on the distribution of electronic components. Line cards we deal with include Microchip,ALPS,ROHM,Xilinx,Pulse,ON,Everlight and Freescale. Main products comprise IC,Modules,Potentiometer,IC Socket,Relay,Connector.Our parts cover such applications as commercial,industrial, and automotives areas.

We are looking forward to setting up business relationship with you and hope to provide you with the best service and solution. Let us make a better world for our industry!



Contact us

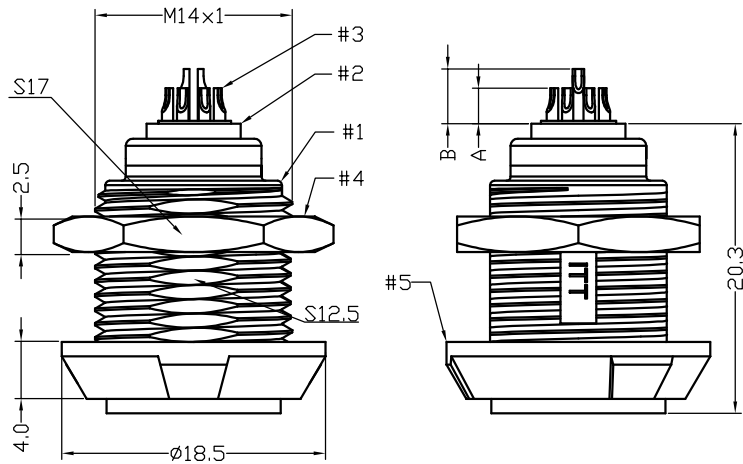
Tel: +86-755-8981 8866 Fax: +86-755-8427 6832

Email & Skype: info@chipsmall.com Web: www.chipsmall.com

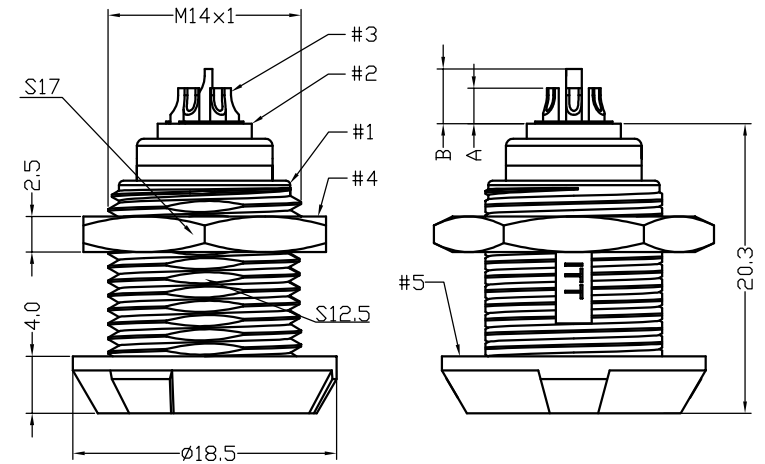
Address: A1208, Overseas Decoration Building, #122 Zhenhua RD., Futian, Shenzhen, China



B1 TYPE






B4 TYPE

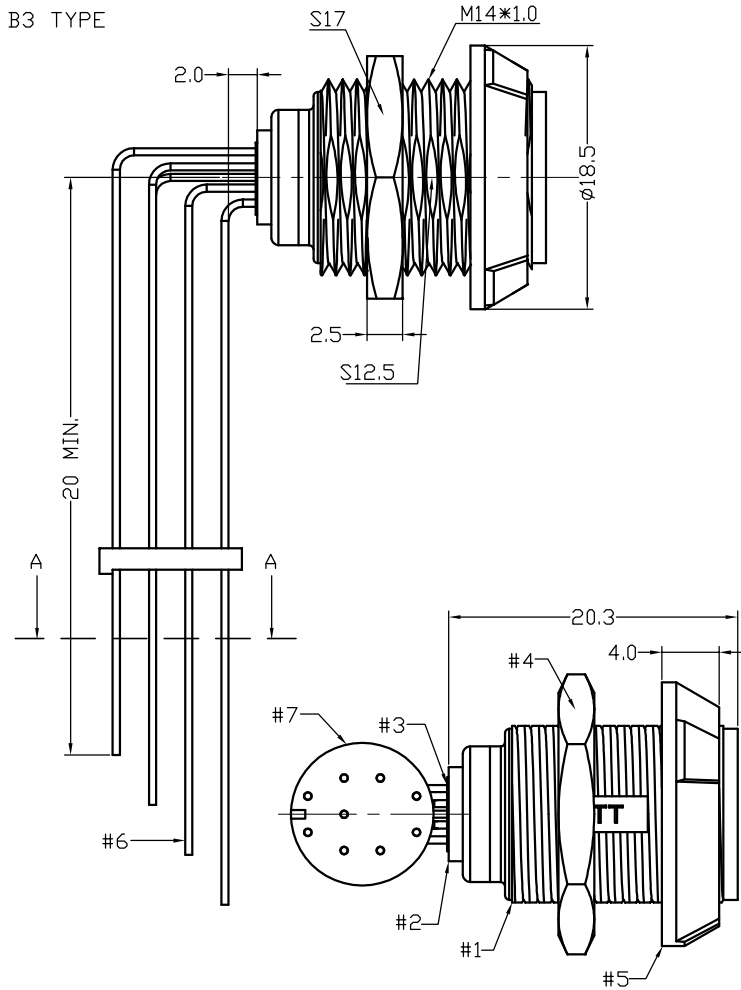


NOTES :

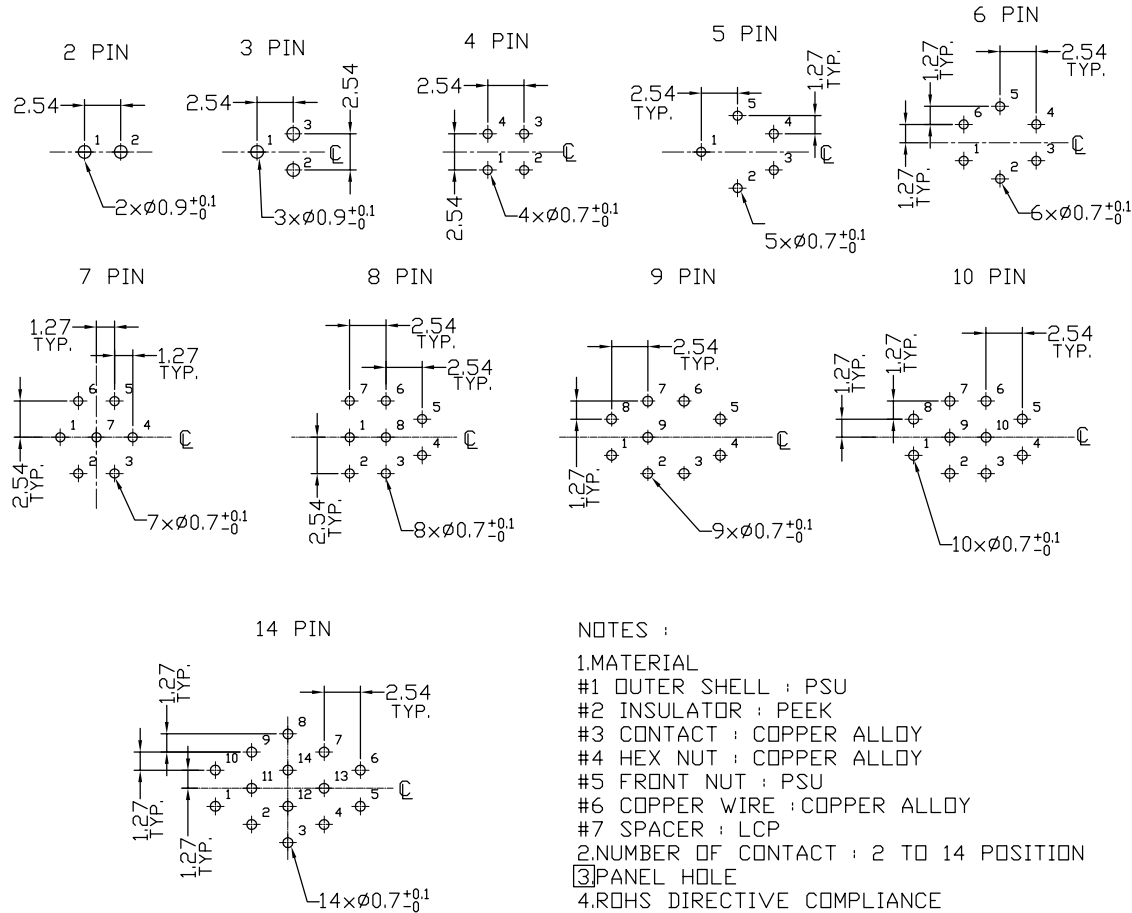
- 1.MATERIAL
- #1 OUTER SHELL : PSU
- #2 INSULATOR : PEEK
- #3 CONTACT : COPPER ALLOY
- #4 HEX NUT : COPPER ALLOY
- #5 FRONT NUT : PSU
- 2.NUMBER OF CONTACT : 2 TO 14 POSITION
- 3.PANEL HOLE
- 4.ROHS DIRECTIVE COMPLIANCE

NUMBER OF CONTACTS		2	3	4	5	6	7	8	9	10	14
DIMENSIONS	A	2.5	2.5	2.5	2.5	2.5	2.5	2.5	2.5	2.5	2.5
	B	-	-	-	-	-	3.9	3.9	3.9	3.9	3.9

DO NOT SCALE			Total Volume =	Total Surface Area =	PDM:	A3/B		
Drawn	DANIEL	08-May-15	Material:	 	 Cannon Electronics (SZ) Co. Ltd.	Toupandun Industrial Area, Jinda Cheng, Xiner Village, Sha Jing Town, Baoan District, Shenzhen City PRC 518125	Pro/E Generic Model	
Checked	HEROD	08-May-15					Title	
Engineer.	DANIEL	08-May-15	Treatment:	Unless Specified	Ref:		PUSH PULL PLASTIC RECEPTACLE	
Manufact.			Dimensions in:	Cust Spec No:	Scale 2:1	Sheet 1 of 4		
Quality								
Approvals	Sign	Date						
Iss/rev	DCN/ECN or Description	Date	This is issued in strict confidence on condition that it is not used as a basis for manufacture or sale and that it is not copied, reprinted or disclosed to a third party either wholly or in part without the prior written consent of ITT Industries. C 08-May-15				Drwg. No. CU-132043	Iss/rev A



PCB DRILLING PATTERN,SEE FROM A-A VIEW.



- NOTES :
- 1.MATERIAL
 #1 OUTER SHELL : PSU
 #2 INSULATOR : PEEK
 #3 CONTACT : COPPER ALLOY
 #4 HEX NUT : COPPER ALLOY
 #5 FRONT NUT : PSU
 #6 COPPER WIRE : COPPER ALLOY
 #7 SPACER : LCP
 - 2.NUMBER OF CONTACT : 2 TO 14 POSITION
 - 3.PANEL HOLE
 - 4.ROHS DIRECTIVE COMPLIANCE

DO NOT SCALE			Total Volume =	Total Surface Area =			PDM:	A3/B	
Drawn	DANIEL	08-May-15	Material:		ITT Industries Cannon Electronics (SZ) Co. Ltd.	Toupanind Industrial Area, Jinda Cheng, Xiner Village, Sha Jing Town, Baoan District, Shenzhen City PRC 518125		Pro/E Generic Model	
Checked	HEROD	08-May-15				Title		PUSH PULL PLASTIC RECEPTACLE	
Engineer.	DANIEL	08-May-15				Ref:		Drwg. No. CU-132043	
Manufact.			Treatment:	Surface Roughness	Scale 2:1	Sheet 2 of 4	Iss/rev	A	
Quality			Dimensions in	Unless Specified					
Approvals	Sign	Date	This is issued in strict confidence on condition that it is not used as a basis for manufacture or sale and that it is not copied, reprinted or disclosed to a third party either wholly or in part without the prior written consent of ITT Industries. C 08-May-15						

A	INITIAL ISSUE	08-May-15
Iss/rev	DCN/ECN or Description	Date

RECEPTACLE

B1: Receptacle with two nuts
(back panel mounting)
---solder contact

B3: Receptacle with two nuts,
with 90° contacts for printed circuit
(back panel mounting)
---PCB contact

B4: Receptacle, front nut fixing
---solder contact

OUTER SHELL MATERIAL

G=GREY PSU (STANDARD) B=BLACK PSU
F=BLACK P=GREY PEI PEI

BACK NUT COLOR

0=BLACK 1=WHITE 2=RED
4=YELLOW 5=GREEN
6=BLUE 8=GREY

NUMBER OF CONTACTS

02=2PIN 04=4PIN
03=3PIN 05=5PIN
06=6PIN 08=8PIN
07=7PIN 09=9PIN
10=10PIN 14=14PIN

CODING

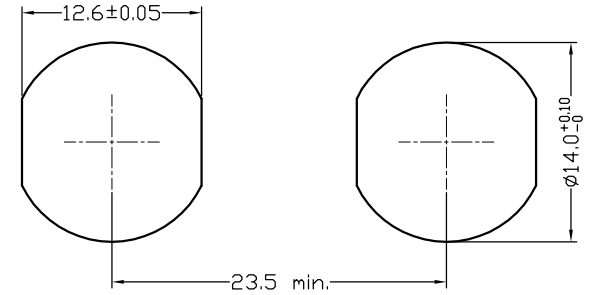
0=0° (STANDARD)
A=40° C=60°
E=80° H=170° J=205°

CABLE COLLET



0=NO CABLE COLLET

CONTACT PLATING

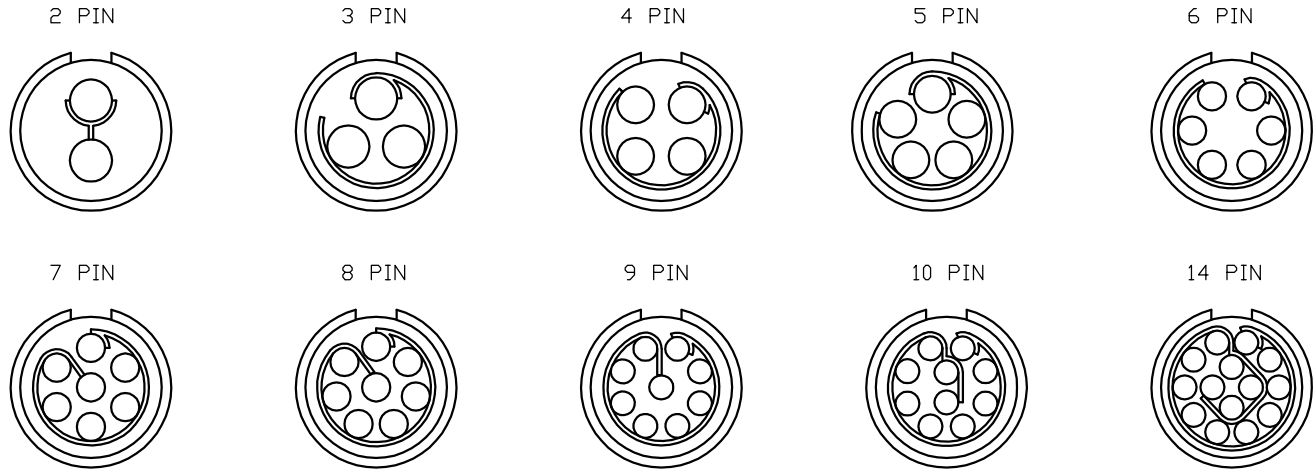
2= GOLD PLATING 20u''



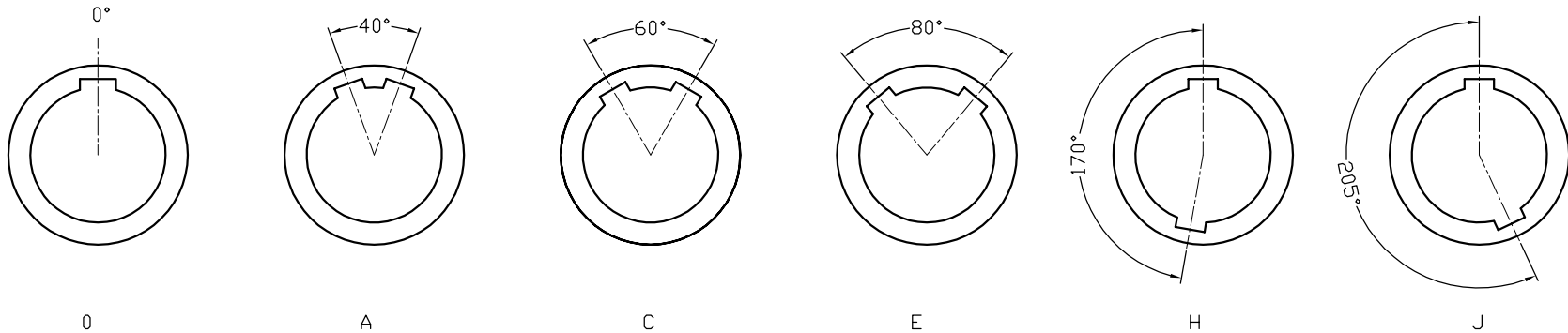
PANEL HOLE

DO NOT SCALE			Total Volume =	Total Surface Area =	PDM:	A3/B	
Drawn	DANIEL	08-May-15	Material:		 Cannon Electronics (SZ) Co. Ltd.	Toupandun Industrial Area, Jinda Cheng, Xiner Village, ShaJing Town, Baoan District, Shenzhen City PRC 518125	Pro/E Generic Model
Checked	HEROD	08-May-15					Treatment:
Engineer.	DANIEL	08-May-15	Dimensions in: Unless Specified Cust Spec No:	Ref:	Scale 2:1 Sheet 3 of 4	Drwg. No. CU-132043 Iss/rev A	
Manufact.							
Assembly							
Quality			This is issued in strict confidence on condition that it is not used as a basis for manufacture or sale and that it is not copied, reprinted or disclosed to a third party either wholly or in part without the prior written consent of ITT Industries. C 08-May-15				
Rev	INITIAL ISSUE		08-May-15				
SS	DCN/ECN or Description		Date				

VIEW FROM TERMINATION SIDE



CODING (RECEPTACLE FRONT VIEW):



DO NOT SCALE			Total Volume =	Total Surface Area =	PDM:	A3/B	
Drawn	DANIEL	08-May-15	Material:		Toupandun Industrial Area, Jinda Cheng, Xiner Village, Sha Jing Town, Baoan District, Shenzhen City PRC 518125	Pro/E Generic Model	
Checked	HEROD	08-May-15				ITT Industries Cannon Electronics (SZ) Co. Ltd.	Title
Engineer.	DANIEL	08-May-15					PUSH PULL PLASTIC RECEPTACLE
Manufact.			Treatment:	Surface Roughness			
Quality			Unless Specified	Ref:			
Approvals	Sign	Date	Dimensions in	Cust Spec No:	Scale 2:1	Sheet 4 of 4	
Iss/rev	DCN/ECN or Description	Date	This is issued in strict confidence on condition that it is not used as a basis for manufacture or sale and that it is not copied, reprinted or disclosed to a third party either wholly or in part without the prior written consent of ITT Industries. C 08-May-15			Drwg. No.	Iss/rev
						CU-132043	A