



Chipsmall Limited consists of a professional team with an average of over 10 year of expertise in the distribution of electronic components. Based in Hongkong, we have already established firm and mutual-benefit business relationships with customers from,Europe,America and south Asia,supplying obsolete and hard-to-find components to meet their specific needs.

With the principle of “Quality Parts,Customers Priority,Honest Operation,and Considerate Service”,our business mainly focus on the distribution of electronic components. Line cards we deal with include Microchip,ALPS,ROHM,Xilinx,Pulse,ON,Everlight and Freescale. Main products comprise IC,Modules,Potentiometer,IC Socket,Relay,Connector.Our parts cover such applications as commercial,industrial, and automotives areas.

We are looking forward to setting up business relationship with you and hope to provide you with the best service and solution. Let us make a better world for our industry!



## Contact us

Tel: +86-755-8981 8866 Fax: +86-755-8427 6832

Email & Skype: info@chipsmall.com Web: www.chipsmall.com

Address: A1208, Overseas Decoration Building, #122 Zhenhua RD., Futian, Shenzhen, China



### PLASTIC PUSH PULL ASSEMBLY P/N DESCRIPTION :

PL C 1 X X X X X X X

Plastic latch

STYLE C1=In-line-Receptacle with cable collet  
-----SOLDER CONTACT

OUTER SHELL MATERIAL  
G=GREY PSU(STANDARD)  
B=BLACK PSU F=BLACK PEI  
P=GREY PEI

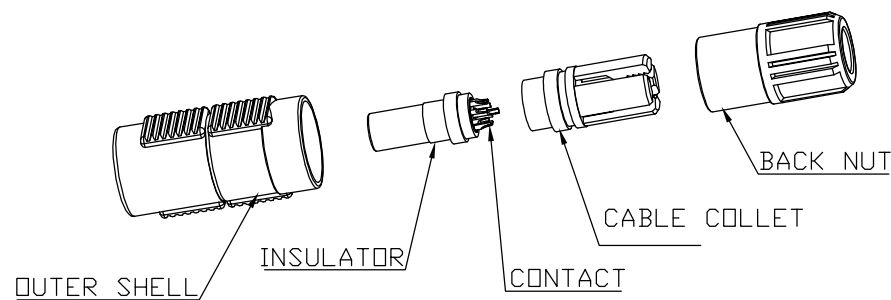
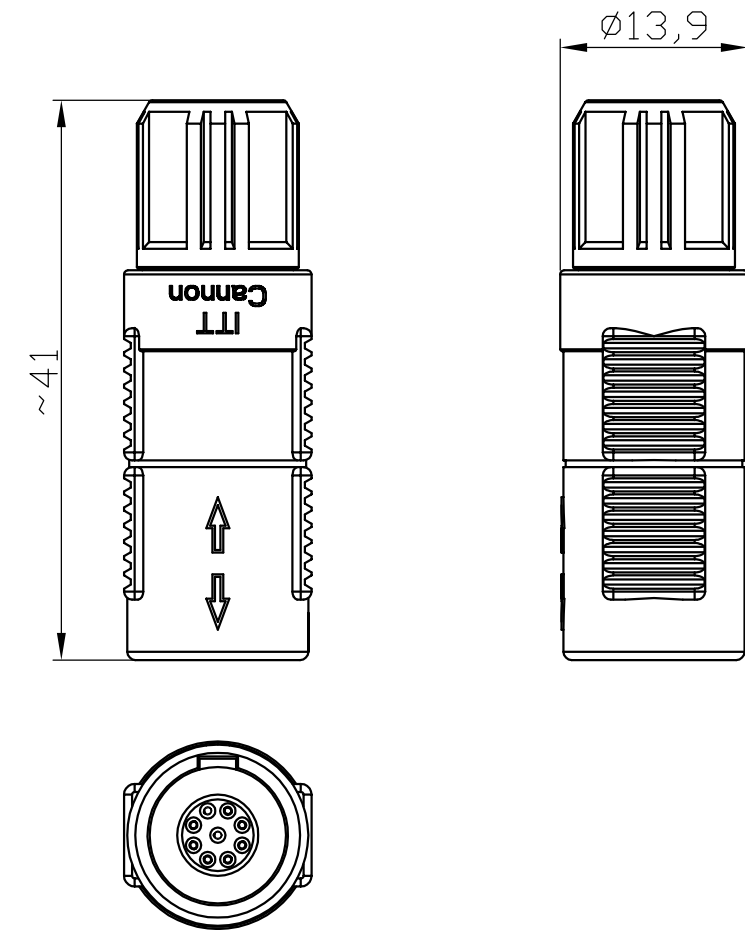
BACK NUT COLOR  
0= BLACK 5= GREEN  
1= WHITE 6= BLUE  
2= RED 8= GREY  
4= YELLOW

CONTACT PLATING  
2= GOLD PLATING 20u"

NUMBER OF CONTACTS  
02= 2 PIN 04= 4 PIN  
03= 3 PIN 05= 5 PIN  
06= 6 PIN 08= 8 PIN  
07= 7 PIN 09= 9 PIN  
10= 10 PIN 14= 14 PIN


CODING  
0=0°(STANDARD)  
A=40° C=60°  
E=80° H=170° J=205°

CONTACT DIAMETER  
1= 1.3mm (ONLY FOR 2 PIN)  
2= 0.9mm (ONLY FOR 4,5 PIN)  
3= 0.7mm (ONLY FOR 6,7,8 PIN)  
4= 0.5mm (ONLY FOR 9,10,14 PIN)



NOTES :

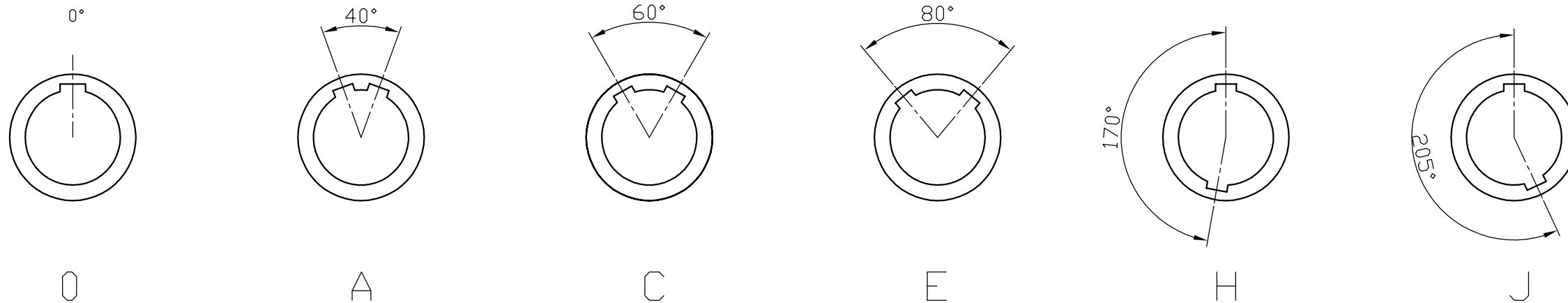
- MATERIAL  
HOUSING : HIGH TEMPERATURE PLASTIC,UL94V-0  
INSERT : HIGH TEMPERATURE PLASTIC,UL94V-0  
CONTACT : COPPER ALLOY  
CABLE COLLET : HIGH TEMPERATURE PLASTIC,UL94V-0  
BACK NUT : HIGH TEMPERATURE PLASTIC,UL94V-0
- NUMBER OF CONTACT : 2 TO 14 POSITION
- ALL DIMENSIONS ARE IN MILLIMETERS.
- RoHS DIRECTIVE COMPLIANCE

DO NOT SCALE			Total Volume =	Total Surface Area =	PDM:	A3/B
Drawn	DANIEL	08-May-15	Material:	 ITT Industries Cannon Electronics (SZ) Co. Ltd.	Toupandun Industrial Area, Jinda Cheng, Xiner Village, Shajing Town, Baoan District, Shenzhen City PRC 518125	Pro/E Generic Model Title PUSH PULL PLASTIC In-Line-Receptacle with cable collet
Checked	HERDD	08-May-15				
Engineer.	DANIEL	08-May-15	Treatment:	3rd ANGLE PROJECTION Surface Roughness Unless Specified	Ref:	Drwg. No. CU-132041 Iss/rev A
Manufact.						
Assembly			Dimensions in:	Cust Spec No:	Scale 2:1	Sheet 1 of 2
Quality						
Approvals	Sign	Date				

This is issued in strict confidence on condition that it is not used as a basis for manufacture or sale and that it is not copied, reprinted or disclosed to a third party either wholly or in part without the prior written consent of ITT Industries. C 08-May-15

VIEW FROM TERMINATION SIDE  FEMALE PART										
	2 PIN	3 PIN	4 PIN	5 PIN	6 PIN	7 PIN	8 PIN	9 PIN	10 PIN	14 PIN

CODING (RECEPTACLE FRONT VIEW):



DO NOT SCALE			Total Volume =	Total Surface Area =	PDM:	A3/B
Drawn	DANIEL	08-May-15	Material:	 ITT Industries Cannon Electronics (SZ) Co. Ltd.	Toupandun Industrial Area, Jinda Cheng, Xiner Village, Shajing Town, Baoan District, Shenzhen City PRC 518125	Pro/E Generic Model Title PUSH PULL PLASTIC In-Line-Receptacle with cable collet
Checked	HEROD	08-May-15				
Engineer.	DANIEL	08-May-15	Treatment:	Surface Roughness Unless Specified	Ref:	Drwg. No. CU-132041 Iss/rev A
Manufact.						
Assembly			Dimensions in:	Cust Spec No:	Scale 2:1	Sheet 2 of 2
Quality						
Approvals	Sign	Date				

This is issued in strict confidence on condition that it is not used as a basis for manufacture or sale and that it is not copied, reprinted or disclosed to a third party either wholly or in part without the prior written consent of ITT Industries. C 08-May-15

A	INITIAL ISSUE	08-May-15
Iss/Rev	DCN/ECN or Description	Date