



Chipsmall Limited consists of a professional team with an average of over 10 year of expertise in the distribution of electronic components. Based in Hongkong, we have already established firm and mutual-benefit business relationships with customers from,Europe,America and south Asia,supplying obsolete and hard-to-find components to meet their specific needs.

With the principle of “Quality Parts,Customers Priority,Honest Operation,and Considerate Service”,our business mainly focus on the distribution of electronic components. Line cards we deal with include Microchip,ALPS,ROHM,Xilinx,Pulse,ON,Everlight and Freescale. Main products comprise IC,Modules,Potentiometer,IC Socket,Relay,Connector.Our parts cover such applications as commercial,industrial, and automotives areas.

We are looking forward to setting up business relationship with you and hope to provide you with the best service and solution. Let us make a better world for our industry!



Contact us

Tel: +86-755-8981 8866 Fax: +86-755-8427 6832

Email & Skype: info@chipsmall.com Web: www.chipsmall.com

Address: A1208, Overseas Decoration Building, #122 Zhenhua RD., Futian, Shenzhen, China



IN LINE RECEPTACLE WITH BEND RELIEF

PL C 3 X X X X X X X

Plastic latch

STYLE C3=In-line-Receptacle with cable collet and nut for fitting a bend relief
---SOLDER CONTACT

OUTER SHELL MATERIAL
G=GREY PSU (STANDARD) B=BLACK PSU
F=BLACK P=GREY PEI PEI

BACK NUT COLOR
0=BLACK 1=WHITE 2=RED
4=YELLOW 5=GREEN
6=BLUE 8=GREY

CONTACT PLATING
2= GOLD PLATING 20u"

NUMBER OF CONTACTS

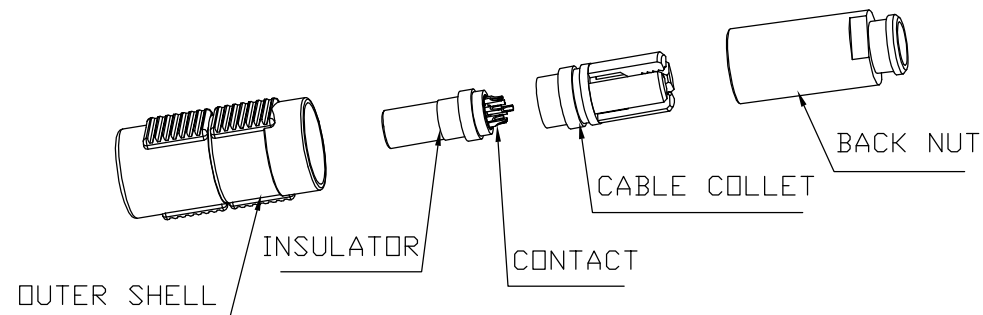
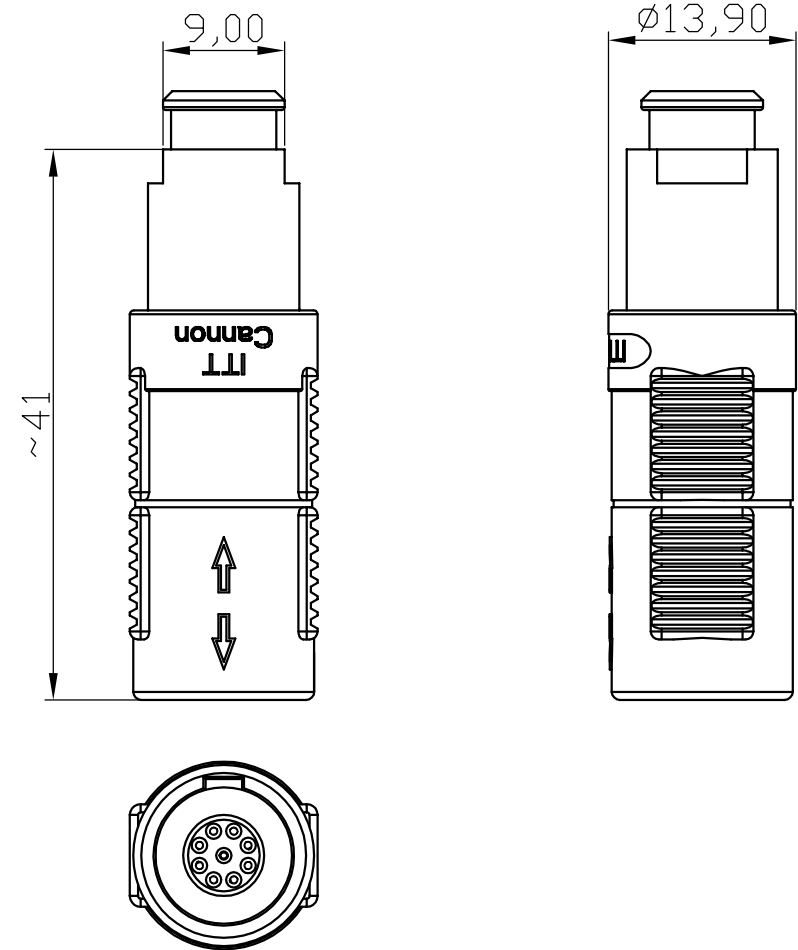
02=2 PIN 04=4 PIN
03=3 PIN 05=5 PIN
06=6 PIN 08=8 PIN
07=7 PIN 09=9 PIN
10=10 PIN 14=14 PIN

CODING

0=0° (STANDARD)
A=40° C=60°
E=80° H=170° J=205°



CABLE COLLET

1= Ø3.9mm (CABLE Ø=2.7~3.9mm)
2= Ø5.2mm (CABLE Ø=4.0~5.2mm)
3= Ø6.5mm (CABLE Ø=5.3~6.5mm)



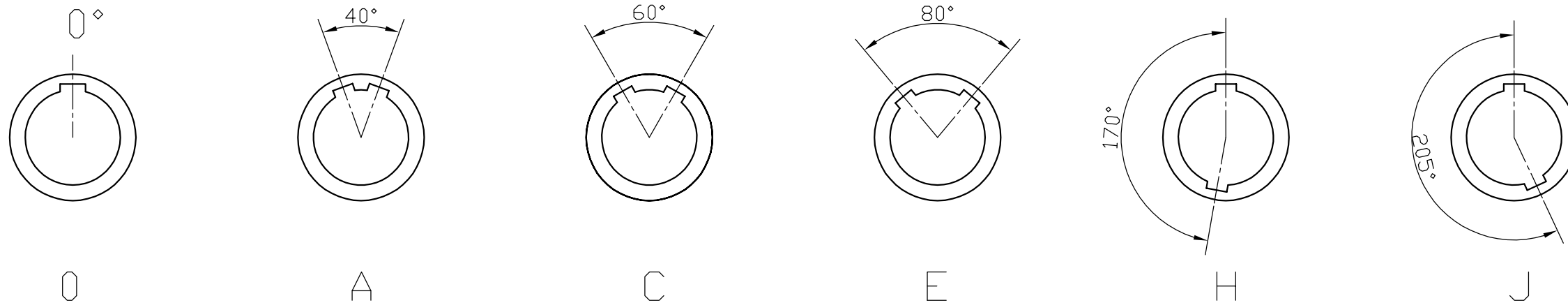
NOTES :

1. MATERIAL
HOUSING : HIGH TEMPERATURE PLASTIC,UL94V-0
INSERT : HIGH TEMPERATURE PLASTIC,UL94V-0
CONTACT : COOPER ALLOY
CABLE COLLET : HIGH TEMPERATURE PLASTIC,UL94V-0
BACK NUT : HIGH TEMPERATURE PLASTIC,UL94V-0
2. NUMBER OF CONTACT : 2 TO 14 POSITION
3. ALL DIMENSIONS ARE IN MILLIMETERS.
4. RoHS DIRECTIVE COMPLANCE
5. BEND RELIEF ORDERED IN SEPERATE

DO NOT SCALE			Total Volume =	Total Surface Area =	PDM:	A3/B	
Drawn	DANIEL	08-May-15	Material:	 Surface Roughness  Cannon Electronics (SZ) Co. Ltd.	Toupandun Industrial Area, Jinda Cheng, Xiner Village, Shajing Town, Baoan District, Shenzhen City PRC 518125	Pro/E Generic Model Title Plastic push pull In-Line-Receptacle with cable collet and nut	
Checked	HERDD	08-May-15					
Engineer.	DANIEL	08-May-15					
Manufact.							
Assembly							
Quality			Treatment:	Ref:	Scale 2:1	Sheet 1 of 2	
Approvals	Sign	Date	Dimensions in:	Cust Spec No:		Drwg. No. CU-132042	Iss/rev A
Iss/Rev	DCN/ECN or Description	Date	This is issued in strict confidence on condition that it is not used as a basis for manufacture or sale and that it is not copied, reprinted or disclosed to a third party either wholly or in part without the prior written consent of ITT Industries. C 08-May-15				

VIEW FROM TERMINATION SIDE FEMALE PART										
	2 PIN	3 PIN	4 PIN	5 PIN	6 PIN	7 PIN	8 PIN	9 PIN	10 PIN	14 PIN

CODING (RECEPTACLE FRONT VIEW):



DO NOT SCALE			Total Volume =	Total Surface Area =	PDM:	A3/B
Drawn	DANIEL	08-May-15	Material:	 ITT Industries Cannon Electronics (SZ) Co. Ltd. Toupandun Industrial Area, Jinda Cheng, Xiner Village, Shajing Town, Baoan District, Shenzhen City PRC 518125	Pro/E Generic Model	
Checked	HEROD	08-May-15			Title	
Engineer.	DANIEL	08-May-15			Plastic push pull In-Line-Receptacle with cable collet and nut	
Manufact.						
Assembly						
Quality			Treatment:	Ref:	Scale 2:1	Sheet 2 of 2
Approvals	Sign	Date	Dimensions in:	Cust Spec No:		
Iss/Rev	DCN/ECN or Description		Date		Drwg. No. CU-132042	Iss/rev A

This is issued in strict confidence on condition that it is not used as a basis for manufacture or sale and that it is not copied, reprinted or disclosed to a third party either wholly or in part without the prior written consent of ITT Industries. C 08-May-15