



Chipsmall Limited consists of a professional team with an average of over 10 year of expertise in the distribution of electronic components. Based in Hongkong, we have already established firm and mutual-benefit business relationships with customers from,Europe,America and south Asia,supplying obsolete and hard-to-find components to meet their specific needs.

With the principle of "Quality Parts,Customers Priority,Honest Operation,and Considerate Service",our business mainly focus on the distribution of electronic components. Line cards we deal with include Microchip,ALPS,ROHM,Xilinx,Pulse,ON,Everlight and Freescale. Main products comprise IC,Modules,Potentiometer,IC Socket,Relay,Connector.Our parts cover such applications as commercial,industrial, and automotives areas.

We are looking forward to setting up business relationship with you and hope to provide you with the best service and solution. Let us make a better world for our industry!



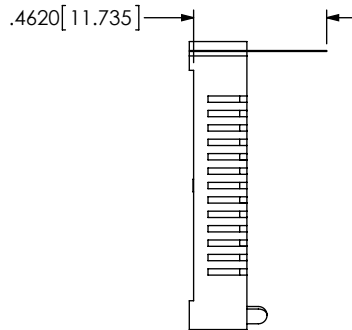
## Contact us

Tel: +86-755-8981 8866 Fax: +86-755-8427 6832

Email & Skype: info@chipsmall.com Web: www.chipsmall.com

Address: A1208, Overseas Decoration Building, #122 Zhenhua RD., Futian, Shenzhen, China





IN-PROCESS

PLCC-0XX-XX-X-XX

No OF POSITIONS  
(SEE TABLE 1 "XX")

PACKAGING OPTION  
BLANK: PACKAGING TUBE  
(SEE SHT 2, PACKAGING TUBE SPEC)  
-TR: TAPE AND REEL  
(SEE SHT 2, TAPE AND REEL SPEC)

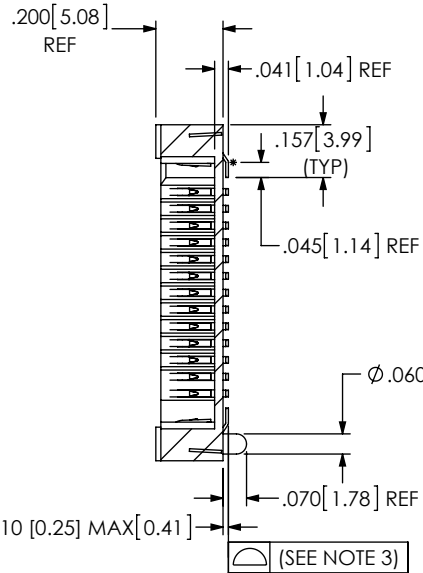
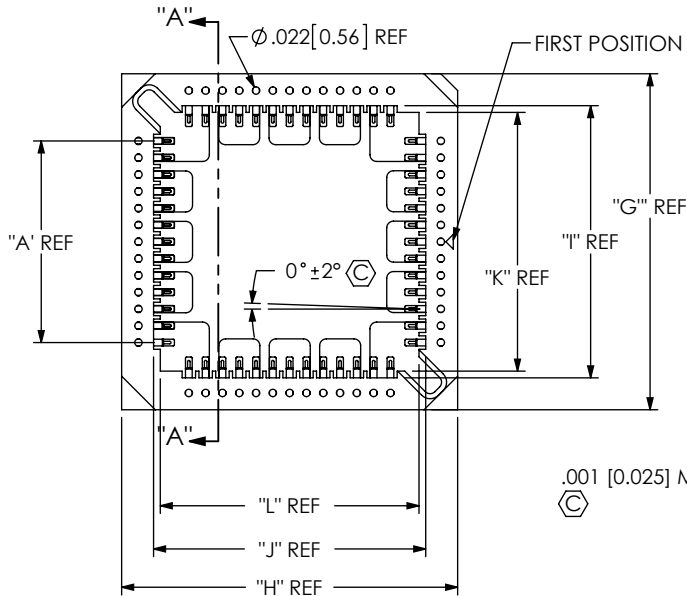
PLATING SPECIFICATIONS

- T: MATTE TIN CONTACT AND TAIL
- F: 3μ" FLASH SELECTIVE GOLD CONTACT AREA, MATTE TIN ON TAIL
- TM: MATTE TIN CONTACT AND TAIL
- FM: 3μ" FLASH SELECTIVE GOLD IN CONTACT AREA, MATTE TIN ON TAIL

OPTION

- A: ALIGNMENT PIN  
(SPECIFY -A IN BODY SPEC -X IN TABLE 1)  
(AVAILABLE ON -032 AND -044 ONLY)
- N: NO ALIGNMENT PIN  
(SPECIFY -N IN BODY SPEC -X IN TABLE 1)

DO NOT SCALE FROM THIS PRINT



SECTION "A"-"A"  
SCALE 1.75 : 1

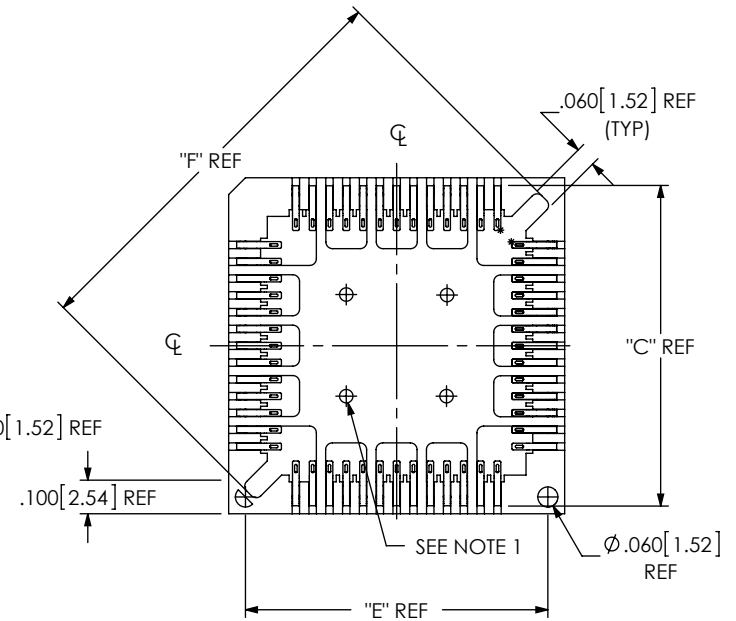


TABLE 1

"XX"	BODY SPEC	TUBE	PLUG	"A"	"B"	"C"	"D"	"E"	"F"	"G"	"H"	"I"	"J"	"K"	"L"	CONTACT
20	PLCC-20-X	PT-1-24-06-51	TP-13	4	04	.555 [14.10]	.555 [14.10]	.500 [12.70]	.675 [17.15]	.600 [15.24]	.600 [15.24]	.410 [10.41]	.410 [10.41]	.370 [9.40]	.370 [9.40]	C-46-XX
28	PLCC-28-X	PT-1-24-01-51	TP-13	6	06	.655 [16.64]	.655 [16.64]	.600 [15.24]	.818 [20.78]	.700 [17.78]	.700 [17.78]	.510 [12.95]	.510 [12.95]	.470 [11.94]	.470 [11.94]	C-46-XX
32	PLCC-32-X	PT-1-24-01-51	TP-13	8	08	.655 [16.64]	.755 [19.18]	.700 [17.78]	.890 [22.61]	.700 [17.78]	.800 [20.32]	.510 [12.95]	.610 [15.49]	.470 [11.94]	.570 [14.48]	C-46-XX
44	PLCC-44-X	PT-1-24-02-51	TP-13	10	10	.855 [21.72]	.855 [21.72]	.800 [20.32]	1.100 [20.32]	.900 [22.86]	.900 [22.86]	.710 [18.03]	.710 [18.03]	.670 [17.02]	.670 [17.02]	C-46-XX
68	PLCC-68-X	PT-1-24-04-51	TP-13	16	16	1.155 [29.34]	1.155 [29.34]	1.100 [27.94]	1.525 [38.74]	1.200 [30.48]	1.200 [30.48]	1.010 [25.65]	1.010 [25.65]	.970 [24.64]	.970 [24.64]	C-46-XX

NOTES:

1. Ø.0400 [1.016] X .030 [0.76] HIGH STANDOFFS ON -32 POSITION ONLY (TYP 4 PLCS)
2. ⊙ REPRESENTS A CRITICAL DIMENSION.
3. PLANARITY IS .008 [0.20] FOR -52, -68 & -84  
PLANARITY IS .006 [0.15] FOR -20, -28, -32, & -44

UNLESS OTHERWISE SPECIFIED, DIMENSIONS ARE IN INCHES.

TOLERANCES ARE:

DECIMALS                      ANGLES  
.XX: ±.01[0.3]                      2°  
.XXX: ±.005[0.13]  
.XXXX: ±.0020[0.051]

PROPRIETARY NOTE  
THIS DOCUMENT CONTAINS CONFIDENTIAL AND PROPRIETARY INFORMATION AND ALL DESIGN, MANUFACTURING, REPRODUCTION, USE, PATENT RIGHTS AND SALES RIGHTS ARE EXPRESSLY RESERVED BY SAMTEC, INC. THIS DOCUMENT SHALL NOT BE DISCLOSED, IN WHOLE OR PART, TO ANY UNAUTHORIZED PERSON OR ENTITY NOR REPRODUCED, TRANSFERRED OR INCORPORATED IN ANY OTHER PROJECT IN ANY MANNER WITHOUT THE EXPRESS WRITTEN CONSENT OF SAMTEC, INC.



520 PARK EAST BLVD, NEW ALBANY, IN 47150  
PHONE: 812-944-6733    FAX: 812-948-5047  
e-Mail: info@SAMTEC.com    code 55322

MATERIAL:                      DO NOT SCALE DRAWING                      SHEET SCALE: 2:1

CELANESE, VECTRA E130 UL RATED 94V-O  
COLOR: BLACK  
25% MAXIMUM REGRIND  
CONTACT: BeCu 172 SHM TEMPER

F:\DWG\MISC\MKTG\PLCC-0XX-XX-X-XX-MKT.SLDRW

DESCRIPTION:

PLCC ASSEMBLY

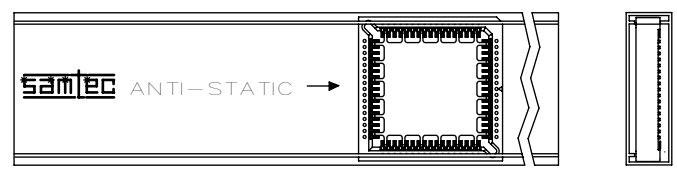
DWG. NO.

PLCC-0XX-XX-X-XX

BY: KOLB

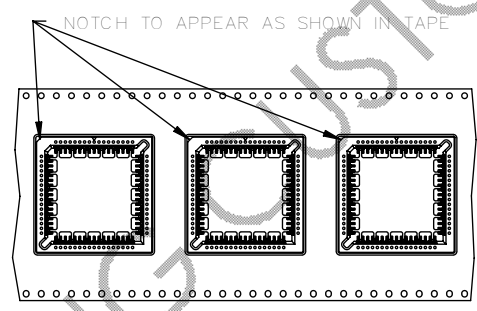
09/12/1991

SHEET 1 OF 2



-A: ALIGNMENT PIN  
 -N: NO ALIGNMENT PIN

POSITION PARTS IN TUBE WITH THE LOGO'S ARROW POINTING TOWARD THE FIRST POSITION INDICATOR AS SHOWN ABOVE



PARTS TO BE POSITIONED IN TAPE AS SHOWN

EXISTING CUSTOMERS ONLY

**PROPRIETARY NOTE**  
 THIS DOCUMENT CONTAINS CONFIDENTIAL AND PROPRIETARY INFORMATION AND ALL DESIGN, MANUFACTURING, REPRODUCTION, USE, PATENT RIGHTS AND SALES RIGHTS ARE EXPRESSLY RESERVED BY SAMTEC, INC. THIS DOCUMENT SHALL NOT BE DISCLOSED, IN WHOLE OR PART, TO ANY UNAUTHORIZED PERSON OR ENTITY NOR REPRODUCED, TRANSFERRED OR INCORPORATED IN ANY OTHER PROJECT IN ANY MANNER WITHOUT THE EXPRESS WRITTEN CONSENT OF SAMTEC, INC.

DO NOT SCALE DRAWING  
 SHEET SCALE: 2:1

**samtec**  
 520 PARK EAST BLVD, NEW ALBANY, IN 47150  
 PHONE: 812-944-6733 FAX: 812-948-5047  
 e-Mail info@SAMTEC.com code 55322

DESCRIPTION: PLCC ASSEMBLY

DWG. NO. PLCC-0XX-XX-X-XX

BY: KOLB 09/12/1991 SHEET 2 OF 2