



Chipsmall Limited consists of a professional team with an average of over 10 year of expertise in the distribution of electronic components. Based in Hongkong, we have already established firm and mutual-benefit business relationships with customers from,Europe,America and south Asia,supplying obsolete and hard-to-find components to meet their specific needs.

With the principle of “Quality Parts,Customers Priority,Honest Operation,and Considerate Service”,our business mainly focus on the distribution of electronic components. Line cards we deal with include Microchip,ALPS,ROHM,Xilinx,Pulse,ON,Everlight and Freescale. Main products comprise IC,Modules,Potentiometer,IC Socket,Relay,Connector.Our parts cover such applications as commercial,industrial, and automotives areas.

We are looking forward to setting up business relationship with you and hope to provide you with the best service and solution. Let us make a better world for our industry!



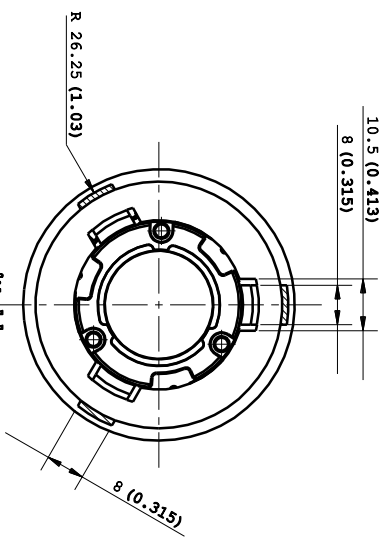
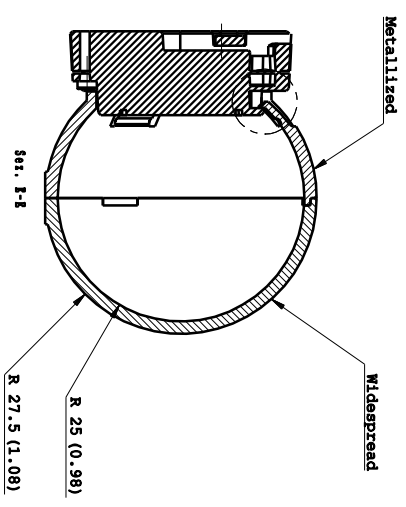
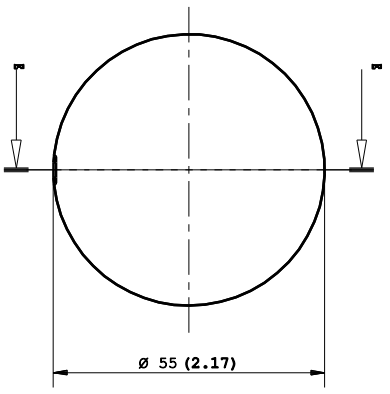
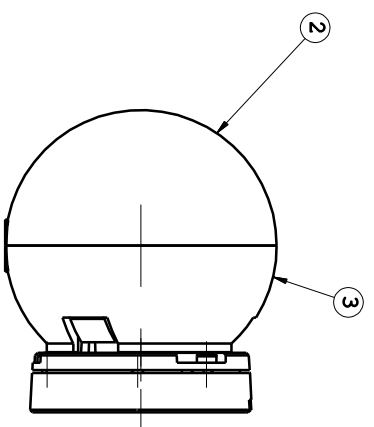
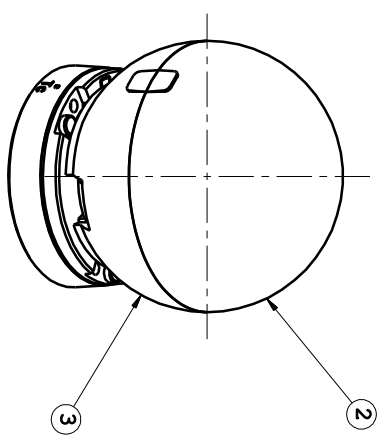
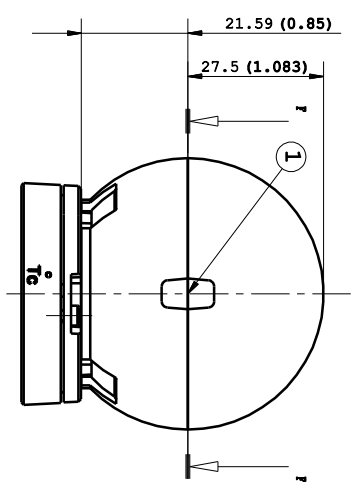
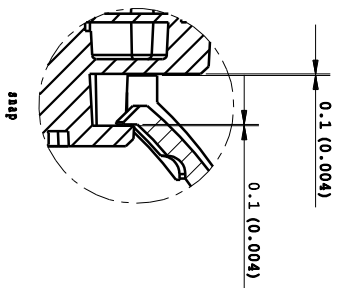
Contact us

Tel: +86-755-8981 8866 Fax: +86-755-8427 6832

Email & Skype: info@chipsmall.com Web: www.chipsmall.com

Address: A1208, Overseas Decoration Building, #122 Zhenhua RD., Futian, Shenzhen, China





NOTE:
 Dimensions in inches into brackets
 For missing dimensions see the 3D file
 1 = Gate Material
 2 = Top Lens Code PLJT1395 T
 3 = Bottom Lens Code PLJT1395 B

“Progetto e disegno di proprietà della KHATOD OPTOELETTRONICO s.r.l. Le soluzioni tecniche adottate in questo disegno sono di nostra esclusiva proprietà e quindi, a norma delle vigenti leggi, ne è vietata la riproduzione e la valorizzazione a terzi senza nostra autorizzazione scritta.”

PARTICOLARE : LENS 4 P I		DISSEGNAZIONE : LM/LS		PROGETTO : X1CA 1	
CODICE : PLJT 1562		VISTO : LM/LS		COMPR. : GV	
KHATOD Via Montecorone/41 Cinisello Balsamo MILANO ITALIA WWW.KHATOD.COM		Scala in dimensioni in mm. Scal. Gen. 4/- 0.20 mm		TRATTAMENTI TERMICI : ANY MATERIALI : MILkye Pc Foglio : 1 of 1	
§§: I-I 		Scala : not scale			