



Chipsmall Limited consists of a professional team with an average of over 10 year of expertise in the distribution of electronic components. Based in Hongkong, we have already established firm and mutual-benefit business relationships with customers from,Europe,America and south Asia,supplying obsolete and hard-to-find components to meet their specific needs.

With the principle of “Quality Parts,Customers Priority,Honest Operation,and Considerate Service”,our business mainly focus on the distribution of electronic components. Line cards we deal with include Microchip,ALPS,ROHM,Xilinx,Pulse,ON,Everlight and Freescale. Main products comprise IC,Modules,Potentiometer,IC Socket,Relay,Connector.Our parts cover such applications as commercial,industrial, and automotives areas.

We are looking forward to setting up business relationship with you and hope to provide you with the best service and solution. Let us make a better world for our industry!



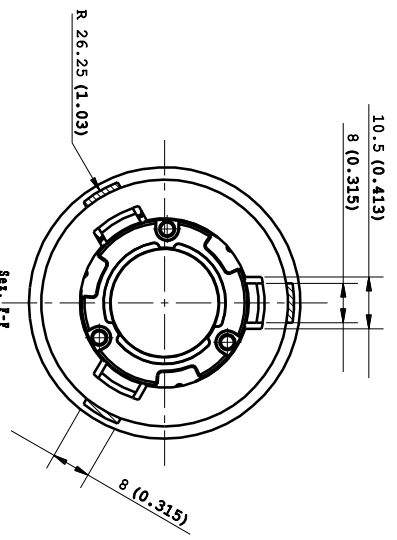
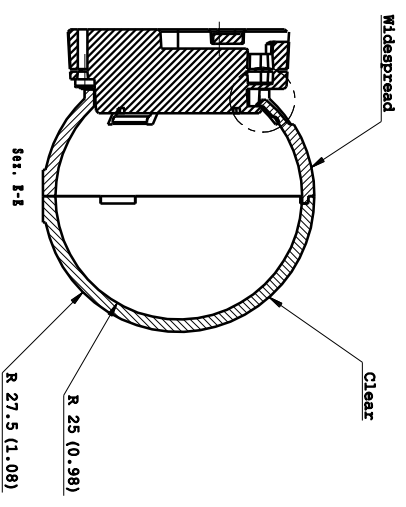
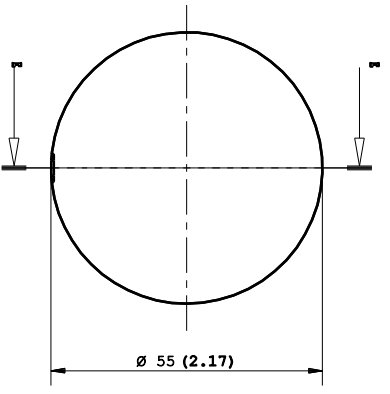
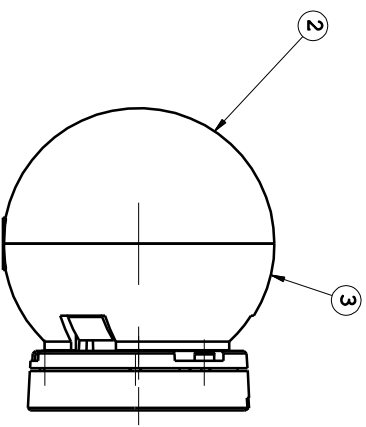
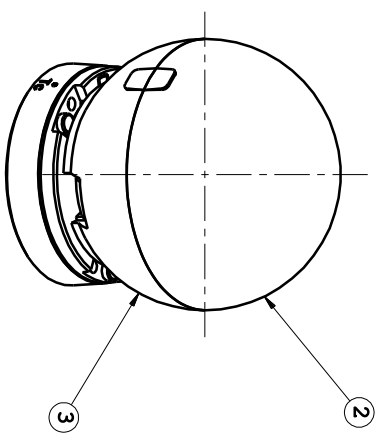
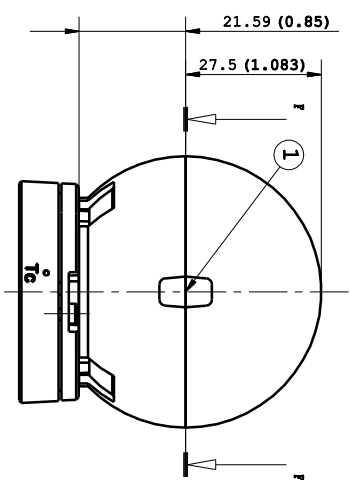
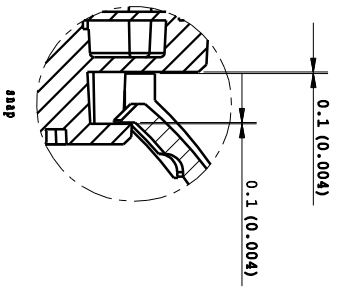
## Contact us

Tel: +86-755-8981 8866 Fax: +86-755-8427 6832

Email & Skype: info@chipsmall.com Web: www.chipsmall.com

Address: A1208, Overseas Decoration Building, #122 Zhenhua RD., Futian, Shenzhen, China





**NOTE:**  
 Dimensions in inches into brackets  
 For missing dimensions see the 3D file  
 1 = Gate Material  
 2 = Top Lens Code PLJ1395 T  
 3 = Bottom Lens Code PLJ1395 B

“Progetto e disegno di proprietà della KHATOD ORGANIZZAZIONE s.r.l. La soluzione tecnica adoperata in questo disegno è sotto la protezione del diritto di brevetto della KHATOD. Nessuna parte di questo disegno può essere riprodotta o in qualsiasi modo pubblicata senza autorizzazione scritta.”

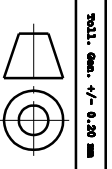
**PARTICOLARE :** LENS 4 P I **DISSEMINAZIONE :** LM/LS **PROGETTO :** X1CA 1

**CODICE :** PLJT 1563 **VISTO :** LM/LS **CONFERMA :** GV **DATA :** 30/06/2011

**TRATTAMENTI TERMICI :** ANY **MATERIE PLASTICHE :** MLK/ye PC

**SCALA :** not scale **FOGLIO :** 1 of 1

**KHATOD**  
 Via Montebello, 41  
 01018 Montebello Balneare  
 Viterbo  
 ITALIA  
 WWW.KHATOD.COM



1	2	3	4	5	6	7	8	9	10
A	B	C	D	E	F	G	H	I	J