



Chipsmall Limited consists of a professional team with an average of over 10 year of expertise in the distribution of electronic components. Based in Hongkong, we have already established firm and mutual-benefit business relationships with customers from,Europe,America and south Asia,supplying obsolete and hard-to-find components to meet their specific needs.

With the principle of “Quality Parts,Customers Priority,Honest Operation,and Considerate Service”,our business mainly focus on the distribution of electronic components. Line cards we deal with include Microchip,ALPS,ROHM,Xilinx,Pulse,ON,Everlight and Freescale. Main products comprise IC,Modules,Potentiometer,IC Socket,Relay,Connector.Our parts cover such applications as commercial,industrial, and automotives areas.

We are looking forward to setting up business relationship with you and hope to provide you with the best service and solution. Let us make a better world for our industry!



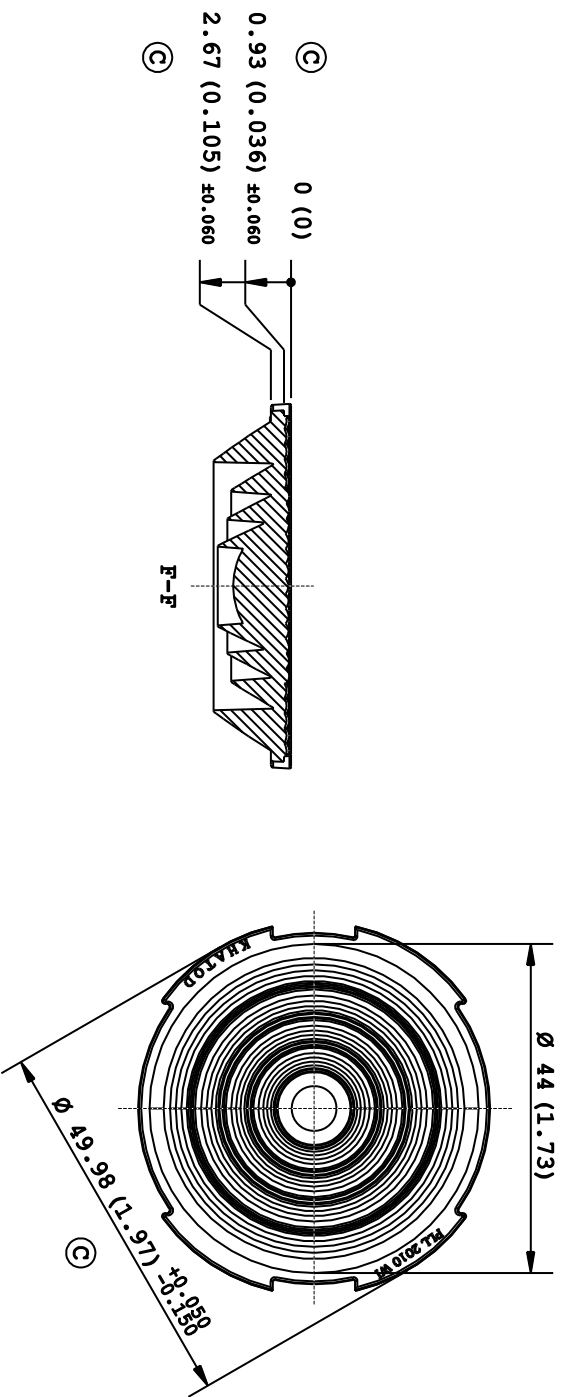
Contact us

Tel: +86-755-8981 8866 Fax: +86-755-8427 6832

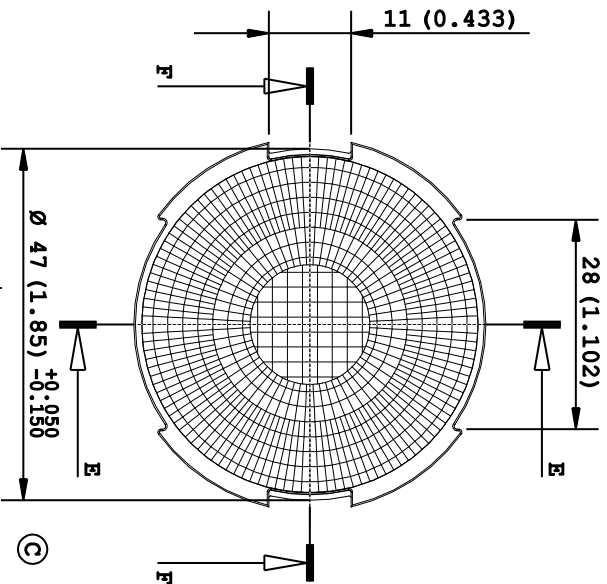
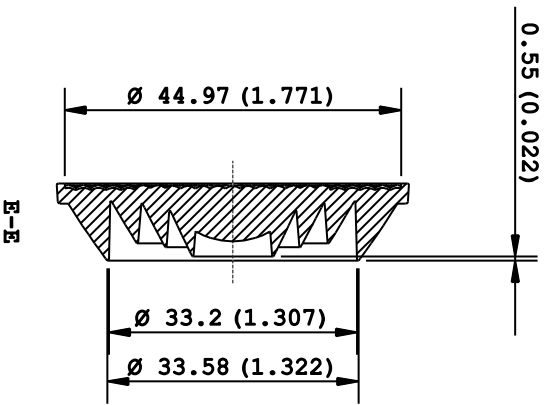
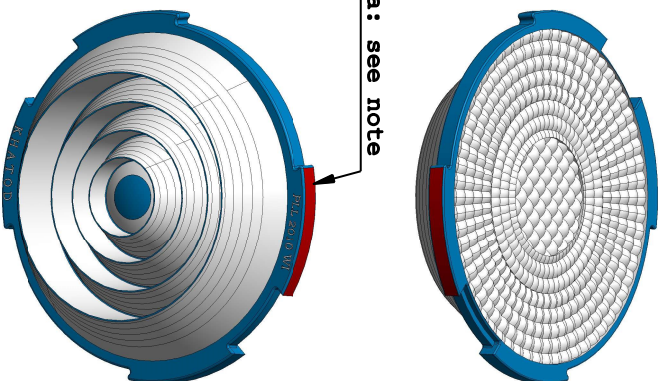
Email & Skype: info@chipsmall.com Web: www.chipsmall.com

Address: A1208, Overseas Decoration Building, #122 Zhenhua RD., Futian, Shenzhen, China





Gate area: see note



Note:

- Dimensions in inches into brackets
- For missing dimensions see 3D file
- WHITE surfaces: mirror polished
- BLUE surfaces: embossed 25/27 VDI
- RED surface: available area for gate material.
- Sink mark injection will be present
- © : Quality Control Dimension (QCD)

Project and design owned by Khafod OPRONTEKRONIC s. r. l. The technical solutions adopted in this design are Khafod Intellectual property; they cannot be reproduced and transmitted to third parties without our prior written permission. Unauthorised disclosure of confidential proprietary information will be prosecuted by law.

DESCRIPTION : Fresnel lens

REVISION : LM/LS

PROVIDER : Bassett

CODE : PLL 2010 WI

KHATOD

Via Alessandro, 25
Casano Milanino
ITALIA

WWW.KHATOD.COM

ALL dimensions in mm

General tolerances +/- 0.20 mm

DESIGNED : LM

IS

DATE : 05/12/2016

NEXT REQUIREMENT:

NO ONE

MATERIAL: Pmma

SCALE : 1 : 1

SHEET : 1 OF 1