



Chipsmall Limited consists of a professional team with an average of over 10 year of expertise in the distribution of electronic components. Based in Hongkong, we have already established firm and mutual-benefit business relationships with customers from,Europe,America and south Asia,supplying obsolete and hard-to-find components to meet their specific needs.

With the principle of “Quality Parts,Customers Priority,Honest Operation,and Considerate Service”,our business mainly focus on the distribution of electronic components. Line cards we deal with include Microchip,ALPS,ROHM,Xilinx,Pulse,ON,Everlight and Freescale. Main products comprise IC,Modules,Potentiometer,IC Socket,Relay,Connector.Our parts cover such applications as commercial,industrial, and automotives areas.

We are looking forward to setting up business relationship with you and hope to provide you with the best service and solution. Let us make a better world for our industry!



## Contact us

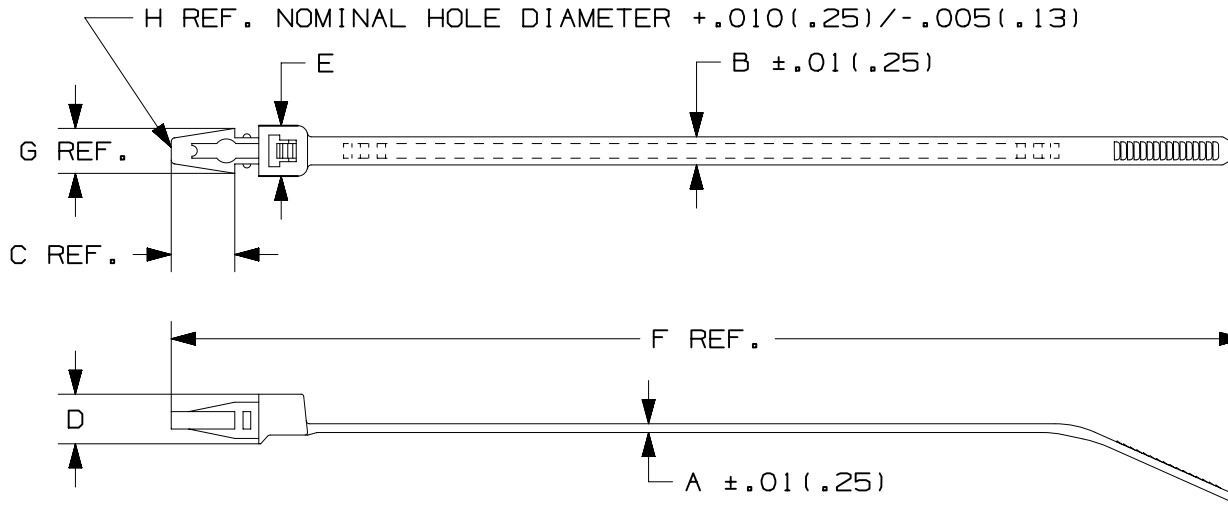
Tel: +86-755-8981 8866 Fax: +86-755-8427 6832

Email & Skype: info@chipsmall.com Web: www.chipsmall.com

Address: A1208, Overseas Decoration Building, #122 Zhenhua RD., Futian, Shenzhen, China



THIS COPY IS PROVIDED ON A RESTRICTED BASIS AND IS NOT TO BE USED IN ANY WAY DETRIMENTAL TO THE INTERESTS OF PANDUIT CORP.



PANDUIT * PART NO.	BUNDLE DIA.		A in. (mm)	B in. (mm)	C in. (mm)	D in. (mm)	E in. (mm)	F in. (mm)	G in. (mm)	H in. (mm)	MAX PANEL THICKNESS in (mm)	MIN. LOOP TENSILE lbs (N)	CROSS- SECTION	WEIGHT lbs/100pcs (g)
	MIN in (mm)	MAX in (mm)												
PLP1.5I	.06 (1.5)	1.25 (31.8)	.045 (1.1)	.135 (3.4)	.350 (8.9)	.236 (6.0)	.270 (6.9)	6.13 (156)	.260 (6.6)	.187 (4.7)	.093 (2.4)	40 (178)	INTERMEDIATE	.17 (77)

NOTES:

- \* 1) SEE [www.panduit.com](http://www.panduit.com) FOR PART NUMBER SUFFIX DESIGNATION FOR PACKAGE SIZE, PART MATERIAL, PART COLOR AND ANY THIRD PARTY RECOGNITION OR COMPLIANCE
- 2) SEE DRAWING 22-26803(A) FOR PLP1S, PLP1.5S & PLP2S.

REV	DATE	BY	CHK	APR	DESCRIPTION	ECN	TITLE	ITEM REVISION NAME	DATASET FILE NAME	MATERIAL:	DRAWING NUMBER:
4	01.06.15	BDK	MPH	JADE	UPDATED TITLE BORDER AND UPDATED NOTES	SS-26888	STRAP, PUSH MOUNT - PLP CUSTOMER DRAWING	10B0150X/04	10B0150X_DC_PLP1.5I/04A	NYLON 6.6	SS-26888
							UNLESS OTHERWISE SPECIFIED, DIMENSIONAL TOLERANCES ARE: IN [ mm ]				
							.x ± .1 (2.5)      .xxx ± .020 (.51) .xx ± .02 (.5)      ANGLES ±				
							 THIRD ANGLE PROJECTION				
							DRAWN BY	DATE	CHK	SCALE	SHT 1 OF 1
							RAM	2-1-94	HVP	NONE	A

D10100DA/16