



Chipsmall Limited consists of a professional team with an average of over 10 year of expertise in the distribution of electronic components. Based in Hongkong, we have already established firm and mutual-benefit business relationships with customers from,Europe,America and south Asia,supplying obsolete and hard-to-find components to meet their specific needs.

With the principle of “Quality Parts,Customers Priority,Honest Operation,and Considerate Service”,our business mainly focus on the distribution of electronic components. Line cards we deal with include Microchip,ALPS,ROHM,Xilinx,Pulse,ON,Everlight and Freescale. Main products comprise IC,Modules,Potentiometer,IC Socket,Relay,Connector.Our parts cover such applications as commercial,industrial, and automotives areas.

We are looking forward to setting up business relationship with you and hope to provide you with the best service and solution. Let us make a better world for our industry!



Contact us

Tel: +86-755-8981 8866 Fax: +86-755-8427 6832

Email & Skype: info@chipsmall.com Web: www.chipsmall.com

Address: A1208, Overseas Decoration Building, #122 Zhenhua RD., Futian, Shenzhen, China

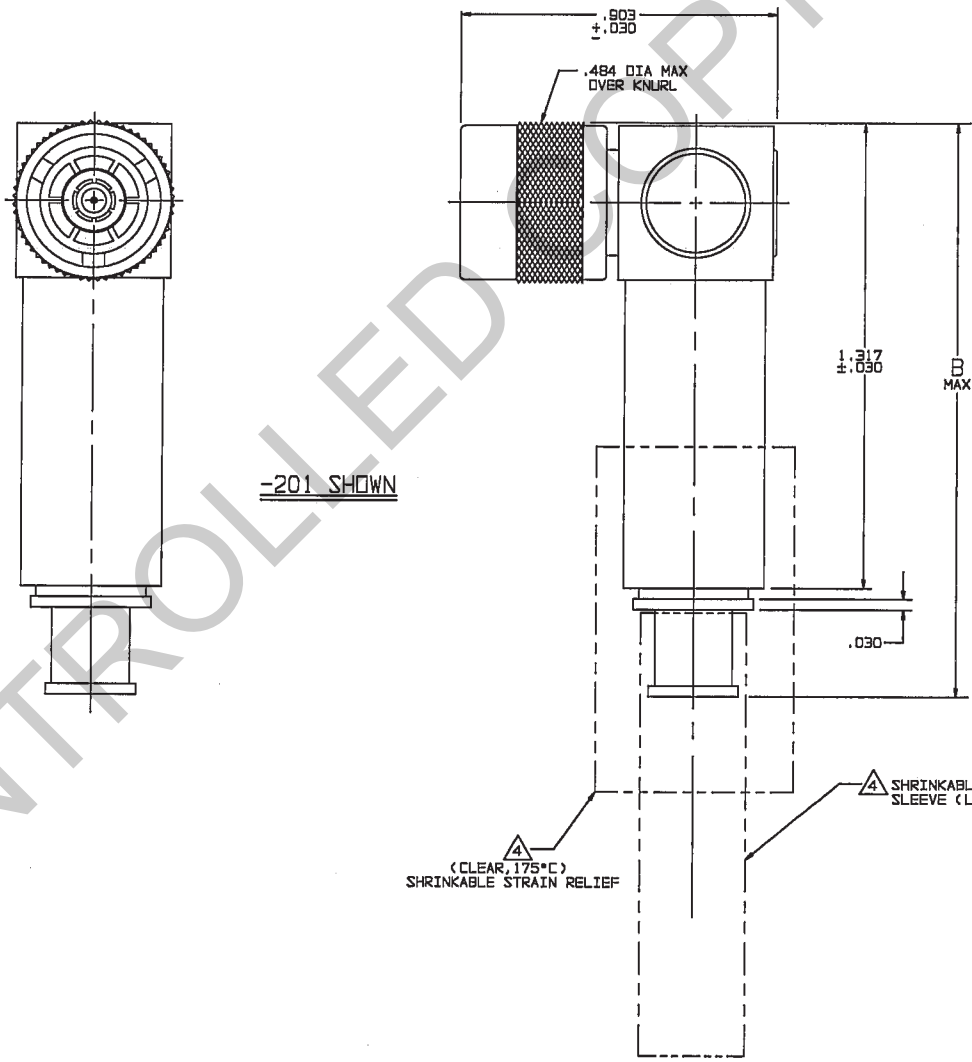


RED INDICATES ORIGINAL

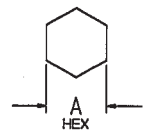
DASH NO	CABLES ACCOMMODATED	A HEX	B MAX	ASSEMBLE PER
-201	M17/17B-00002	.344	1.77	TAI-189
-202	TWC-7B-1			
-203	TWC-124-1A			
-204	10802, RAYCHEM			
-205	TWAC-7B-1F2			
-206	782800130, RAYCHEM			
-207	83310 BELDEN			
-208	202-3827 MICRODOT			
-209	202-3842 MICRODOT			
-210	8451 BELDEN			
-211	202-3834 MICRODOT	1.52	TAI-161	
-212	2524E0114, RAYCHEM			
-213	TWC-7B-2			
-214	TWC-124-2			
-215	BL-982 TIMES			
-216	BL-1242 TIMES			
-217	GCB75TM24H, GRUMMAN	1.77	TAI-189	
-218	EPO 22188B, RAYCHEM			
-219	252801114, RAYCHEM			
-220	GCB75RR1, GRUMMAN			
-221	10814, RAYCHEM			
-222	10613, RAYCHEM			
-223	HMS2-1149, HUGHES			
-224	TWCP-124-3	1.52	TAI-161	
-225	PS665PL, PRIME STOCK			
-301	GCB75GC1, GRUMMAN	1.78	TAI-154	
-302	5022E5111, RAYCHEM; GCB75GB1, GRUMMAN			
-303	7528A5314, RAYCHEM			
-304		1.76	TAI-154	
-305	M17/177-00001, THERMATICS			
-306	TRC-50-2 M17/134-00002	1.47	TAI-178	
-307	TRC-75-1			
-308	TRC-75-2	1.47	TAI-178	
-309	TRC-50-1			

DATA CONTAINED IN THIS DOCUMENT IS PROPRIETARY TO TROMPETER ELECTRONICS INC. AND SHALL NOT BE DISCLOSED, COPIED OR USED FOR PROCUREMENT OR MANUFACTURE WITHOUT EXPRESS WRITTEN PERMISSION.

REVIEWS			310-0070	SH 1
REV	ED	DESCRIPTION	DWN	APPROVED/ DATE
H	12388	ADDED -224 & -225; SEE ECO	DBN	AM / 4-6-98



INCH	MM
.005	0.13
.030	0.76
.344	8.74
.484	12.28
.903	22.84
1.00	25.40
1.25	31.75
1.317	33.45
1.47	37.34
1.52	38.61
1.75	44.45
1.78	44.70
1.77	44.96



RECOMMENDED
HEX CRIMP
SCALE: NONE

- 1 SHRINKABLE STRAIN RELIEF AND/OR SHRINKABLE SEALING SLEEVE SUPPLIED LOOSE AS FOLLOWS:
- CABLE GROUPS -201 THROUGH -210, -217 THROUGH -303, -305, -307 & -309
 - 1 SHRINKABLE STRAIN RELIEF (1.00 LONG)
 - 1 SHRINKABLE SEALING SLEEVE (1.25 LONG)
 - CABLE GROUPS -211 THROUGH -216, -306 & -308
 - 1 SHRINKABLE STRAIN RELIEF (1.75 LONG)
2. FINISH: TFS-1A (NICKEL)
3. CONCENTRIC TWINAX/TRIAX TRS 3-LUG RIGHT ANGLE FULL CRIMP CABLE PLUG
4. ALL DIM ARE IN INCHES

5. EXAMPLE OF COMPLETE MODEL NO:
PLR155AC-201
- BASIC MODEL NO _____ CABLE GROUP DASH NO _____
5. EXAMPLE OF COMPLETE PART NO:
310-0070-201
- BASIC PART NO _____ CABLE GROUP DASH NO _____

QTY	DESCRIPTION	PART NUMBER	ITEM
TOL UNLESS SPECIFIED XX ± .03 .XXX ± .005 XXXX ± .0002 ANGLES	TROMPETER RF connectivity	PLR155AC	
DWN	DBN 4/3/98	MATERIAL	CODE IDENT
CHK	AM 4-7-98	14949	310-0070
ENGR			REV H
APPR	4-8-98	SCALE 4/1	DATE 4/19/98 SHEET 1 OF 2