



Chipsmall Limited consists of a professional team with an average of over 10 year of expertise in the distribution of electronic components. Based in Hongkong, we have already established firm and mutual-benefit business relationships with customers from,Europe,America and south Asia,supplying obsolete and hard-to-find components to meet their specific needs.

With the principle of “Quality Parts,Customers Priority,Honest Operation,and Considerate Service”,our business mainly focus on the distribution of electronic components. Line cards we deal with include Microchip,ALPS,ROHM,Xilinx,Pulse,ON,Everlight and Freescale. Main products comprise IC,Modules,Potentiometer,IC Socket,Relay,Connector.Our parts cover such applications as commercial,industrial, and automotives areas.

We are looking forward to setting up business relationship with you and hope to provide you with the best service and solution. Let us make a better world for our industry!



## Contact us

Tel: +86-755-8981 8866 Fax: +86-755-8427 6832

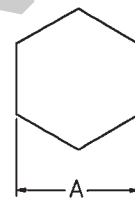
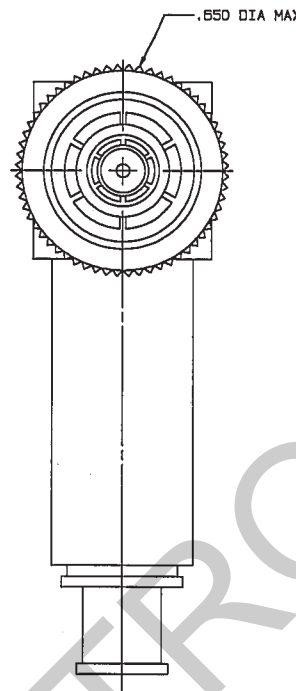
Email & Skype: info@chipsmall.com Web: www.chipsmall.com

Address: A1208, Overseas Decoration Building, #122 Zhenhua RD., Futian, Shenzhen, China

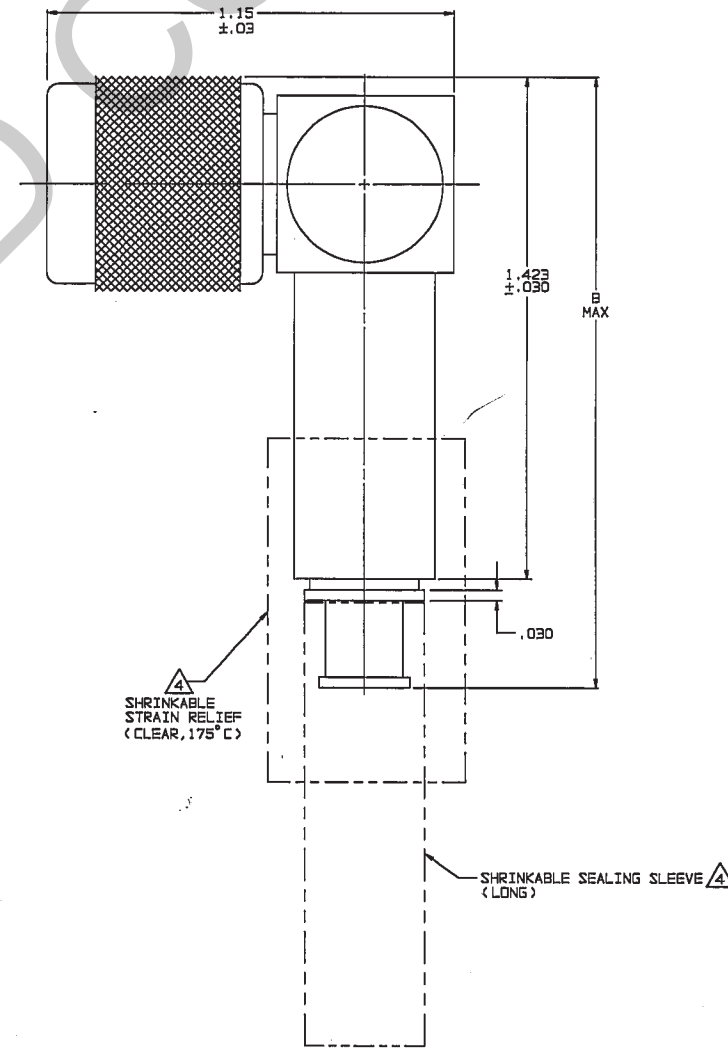


DWG SIZE D	DATA CONTAINED IN THIS DOCUMENT IS PROPRIETARY TO TROMPETER ELECTRONICS INC. AND SHALL NOT BE DISCLOSED, COPIED OR USED FOR PROCUREMENT OR MANUFACTURE WITHOUT EXPRESS WRITTEN PERMISSION.			REVISIONS		310-0074	SH 1
	REV	ED	DESCRIPTION	DWN	APPROVED	DATE	
K	12387	ADDED -224 & -225; ADDED NOTE [4] SHEET 2; SEE ECD			DKC	10/11/98	7/22/98

TABLE 1					INCH	MM
DASH NO	CABLES ACCOMMODATED	A HEX	B DIM	ASSEMBLE PER		
-201	M17/176-00002				.005	0.13
-202	TWC-7B-1				.030	0.76
-203	TWC-124-1A				.344	8.74
-204	10602 RAYCHEM				.650	16.51
-205	TWAC-7B-1F2				1.00	25.40
-206	782600130 RAYCHEM		1.79	TAI-169	1.15	29.21
-207	83310 BELDEN				1.25	31.75
-208	202-3927 MICRODOT				1.423	36.14
-209	202-3942 MICRODOT				1.51	38.35
-210	8451 BELDEN				1.75	44.45
-211	202-3934 MICRODOT				1.79	45.47
-212	2524E0114 RAYCHEM					
-213	TWC-7B-2					
-214	TWC-124-2		1.51	TAI-161		
-215	BL-982 TIMES					
-216	BL-1242 TIMES					
-217	GCB75TM24H GRUMMAN	.344				
-218	EPD 221888 RAYCHEM					
-219	2526D1114 RAYCHEM					
-220	GCB75RR1 GRUMMAN		1.79	TAI-169		
-221	10614 RAYCHEM					
-222	10613 RAYCHEM					
-223	HMS2-1149 HUGHES					
-224	TWCP-124-3		1.51	TAI-161		
-225	PS865PL PRIME STOCK					
-301	GCB75GC1 GRUMMAN					
-302	GCB75GB1 GRUMMAN					
-303	7528A5314 RAYCHEM		1.79	TAI-154		
-304						
-305	M17/177-00001 THERMATICS					
-306	TRC-50-2		1.51	TAI-178		
-307	M17/134-00002					
-308	TRC-75-1		1.79	TAI-154		
-309	TRC-75-2		1.51	TAI-178		
-309	TRC-50-1		1.79	TAI-154		



RECOMMENDED  
HEX CRIMP



-201 SHOWN

6. EXAMPLE OF COMPLETE MODEL NO:  
PLR375C - 201  
 BASIC MODEL NO      CABLE GROUP DASH NO

5. IF SAFETY WIRE TYPE REQ'D ADD SUFFIX 'S' TO MODEL NO. (PLR375CS)

**A** 1 SHRINKABLE STRAIN RELIEF AND/OR SHRINKABLE SEALING SLEEVE SUPPLIED LOOSE AS FOLLOWS:

- a. CABLE GROUPS -201 THROUGH -210, -217 THROUGH -303, -305, -307 & -309
  - 1 SHRINKABLE STRAIN RELIEF (1.00 LONG)
  - 1 SHRINKABLE SEALING SLEEVE (1.25 LONG)
- b. CABLE GROUPS -211 THROUGH -216, -306 & -308
  - 1 SHRINKABLE STRAIN RELIEF (1.75 LONG)

3. THREADED BAYONET CONCENTRIC TWINAX/TRIAx TRB RIGHT ANGLE FULL CRIMP CABLE PLUG

2. FINISH: TFS-1A (NICKEL)

1. ALL DIM ARE IN INCHES

QTY	DESCRIPTION	PART NUMBER	ITEM
TOL. UNLESS SPECIFIED .XX ± .XXX ± .005 .XXXX ± ANGLES			
<b>TROMPETER</b> RF connectivity		PLR375C/ PLR375CS	
DWN	DKC 5-18-98	MATERIAL	CODE IDENT
CHK	1AM 6-8-98	14949	310-0074
ENGR			REV K
NEXT ASSY	APPR 10/11/98	SCALE 4/1	DATE 8/29/98 SHEET 1 OF 2