



Chipsmall Limited consists of a professional team with an average of over 10 year of expertise in the distribution of electronic components. Based in Hongkong, we have already established firm and mutual-benefit business relationships with customers from,Europe,America and south Asia,supplying obsolete and hard-to-find components to meet their specific needs.

With the principle of “Quality Parts,Customers Priority,Honest Operation,and Considerate Service”,our business mainly focus on the distribution of electronic components. Line cards we deal with include Microchip,ALPS,ROHM,Xilinx,Pulse,ON,Everlight and Freescale. Main products comprise IC,Modules,Potentiometer,IC Socket,Relay,Connector.Our parts cover such applications as commercial,industrial, and automotives areas.

We are looking forward to setting up business relationship with you and hope to provide you with the best service and solution. Let us make a better world for our industry!



Contact us

Tel: +86-755-8981 8866 Fax: +86-755-8427 6832

Email & Skype: info@chipsmall.com Web: www.chipsmall.com

Address: A1208, Overseas Decoration Building, #122 Zhenhua RD., Futian, Shenzhen, China

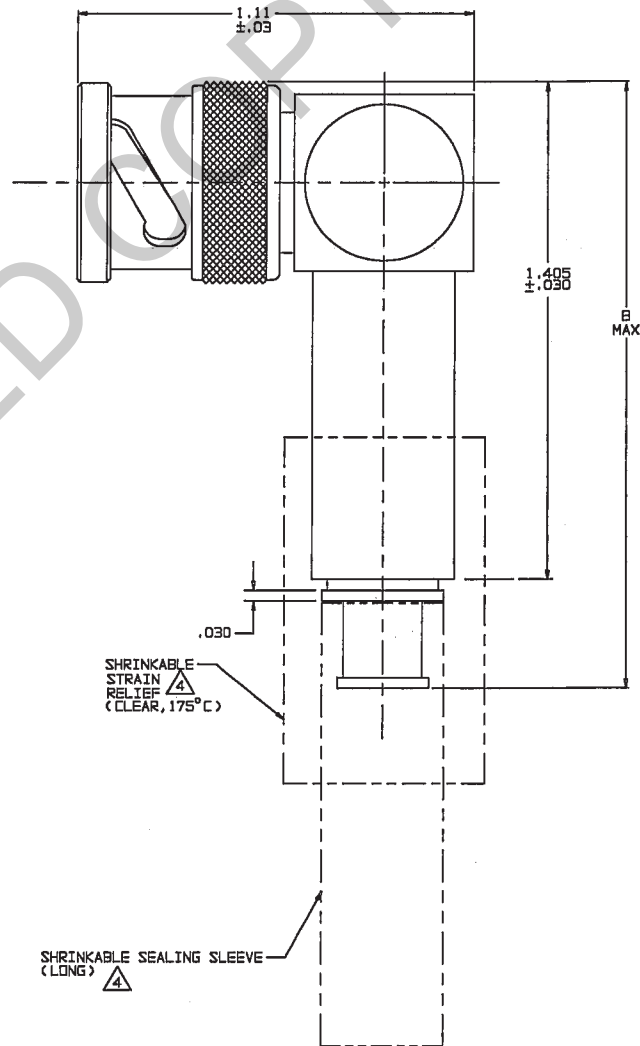
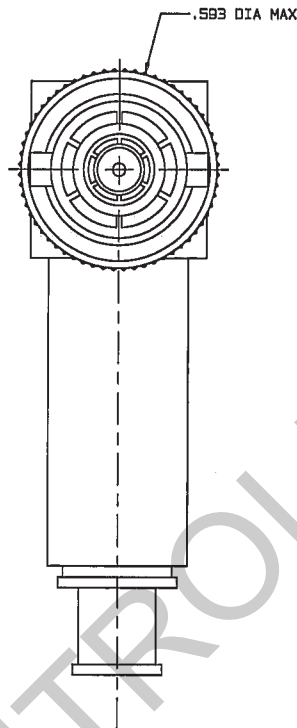


RED INDICATES ORIGINAL

DATA CONTAINED IN THIS DOCUMENT IS PROPRIETARY TO TROMPETER ELECTRONICS INC. AND SHALL NOT BE DISCLOSED, COPIED OR USED FOR REPRODUCTION OR MANUFACTURE WITHOUT EXPRESS WRITTEN PERMISSION.

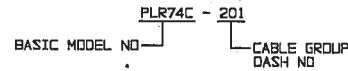
REVISIONS			310-0075	SH 1	
REV	ED	DESCRIPTION	OWN	APPROVED	DATE
H	12388	ADDED -224 & -225; SEE ECO	DBN	W.M. / W.M.	5/18/98

DASH NO	CABLES ACCOMMODATED	A HEX	B DIM	ASSEMBLE PER	INCH	MM	
-201	M17/176-00002	.344	1.76	TAI-169	.005	0.13	
-202	TWC-78-1				.030	0.76	
-203	TWC-124-1A				.344	8.74	
-204	10602 RAYCHEM				.593	15.08	
-205	TWAC-78-1F2				1.00	25.40	
-206	782800130 RAYCHEM				1.11	28.19	
-207	89310 BELDEN				1.25	31.75	
-208	202-3927 MICRODOT				1.405	35.89	
-209	202-3942 MICRODOT				1.47	37.34	
-210	8451 BELDEN				1.75	44.45	
-211	202-3934 MICRODOT		1.76	44.70			
-212	2524ED114 RAYCHEM		1.47	TAI-161			
-213	TWC-78-2						
-214	TWC-124-2						
-215	BL-982 TIMES						
-216	BL-1242 TIMES						
-217	GCB75TM24H GRUJMAN						
-218	EPO 22189B RAYCHEM						
-219	2526D1114, RAYCHEM						
-220	GCB75RR1, GRUJMAN						
-221	10614, RAYCHEM						
-222	10613, RAYCHEM						
-223	HMS2-1149, HUGHES	1.76	TAI-154				
-224	FWCP-124-3						
-225	PS665PL, PRIME STOCK						
-301	GCB75GC1, GRUJMAN						
-302	GCB75GB1, GRUJMAN						
-303	7528A5314, RAYCHEM						
-304							
-305	M17/177-00001, THERMATICS						
-306	TRC-50-2						
-307	M17/134-00002						
-308	TRC-75-1	1.76	TAI-154				
-309	TRC-75-2	1.47	TAI-178				
-309	TRC-50-1	1.76	TAI-154				

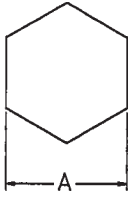


-201 SHOWN

5. EXAMPLE OF COMPLETE MODEL NO:



- △ 1 SHRINKABLE STRAIN RELIEF AND/OR SHRINKABLE SEALING SLEEVE SUPPLIED LOOSE AS FOLLOWS:
- a. CABLE GROUPS -201 THROUGH -210, -217 THROUGH -303, -305, -307 & -308
 - 1 SHRINKABLE STRAIN RELIEF (1.00 LONG)
 - 1 SHRINKABLE SEALING SLEEVE (1.25 LONG)
 - b. CABLE GROUPS -211 THROUGH -216, -306 & -309
 - 1 SHRINKABLE STRAIN RELIEF (1.75 LONG)



RECOMMENDED
HEX CRIMP

3. 2-LUG BAYONET CONCENTRIC TWINAX/TRIAX TRB RIGHT ANGLE FULL CRIMP CABLE PLUG

2. FINISH: TFS-1A (NICKEL)

1. ALL DIM ARE IN INCHES

QTY	DESCRIPTION	PART NUMBER	ITEM
TOL UNLESS SPECIFIED .XX ± .XXX ± .005 .XXXX ± .0002 ANGLES	TROMPETER RF connectivity	PLR74C	
DWN	DBN 4/25/98	MATERIAL	CODE IDENT
CHK	KM 4-27-98	14949	DRAWING NO.
ENGR		310-0075	REV
APPR	W.M. 5/18/98	SCALE 4/1	DATE 9-25-89
NEXT ASSY			SHEET 1 OF 2