



Chipsmall Limited consists of a professional team with an average of over 10 year of expertise in the distribution of electronic components. Based in Hongkong, we have already established firm and mutual-benefit business relationships with customers from,Europe,America and south Asia,supplying obsolete and hard-to-find components to meet their specific needs.

With the principle of "Quality Parts,Customers Priority,Honest Operation,and Considerate Service",our business mainly focus on the distribution of electronic components. Line cards we deal with include Microchip,ALPS,ROHM,Xilinx,Pulse,ON,Everlight and Freescale. Main products comprise IC,Modules,Potentiometer,IC Socket,Relay,Connector.Our parts cover such applications as commercial,industrial, and automotives areas.

We are looking forward to setting up business relationship with you and hope to provide you with the best service and solution. Let us make a better world for our industry!



## Contact us

Tel: +86-755-8981 8866 Fax: +86-755-8427 6832

Email & Skype: info@chipsmall.com Web: www.chipsmall.com

Address: A1208, Overseas Decoration Building, #122 Zhenhua RD., Futian, Shenzhen, China

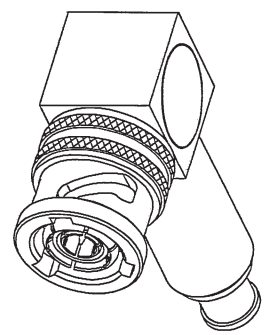
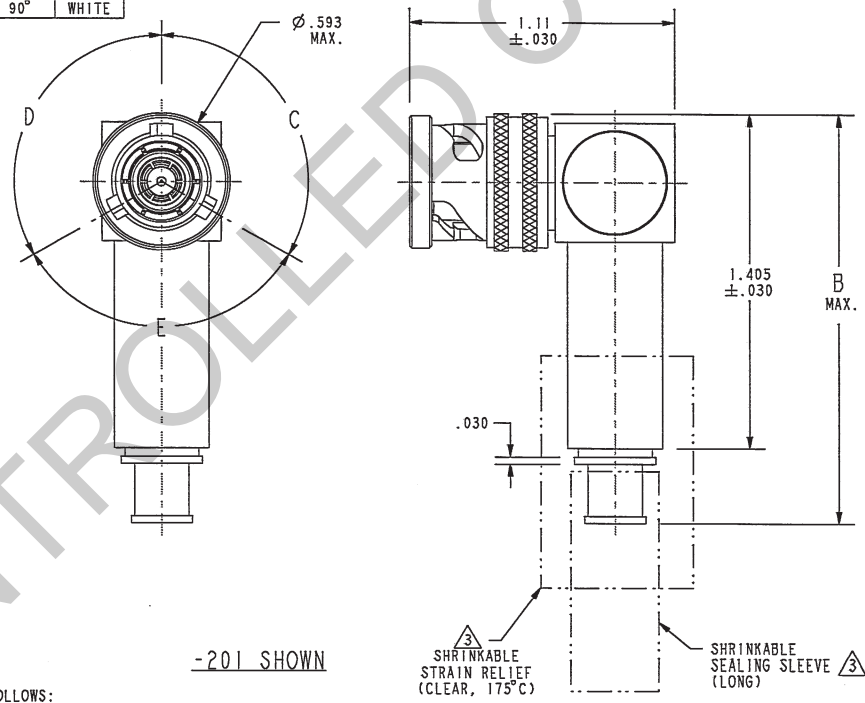


TABLE 1							
DASH NUMBER	CABLES ACCOMMODATED	A HEX	B DIM	ASSEMBLE PER			
-201	M17176-00002	.344	1.76	TAI-169			
-202	TWC-78-1						
-203	TWC-124-1A						
-204	10602, RAYCHEM						
-205	TWAC-78-1F2						
-206	7826D0130, RAYCHEM						
-207	83310 BELDEN						
-208	202-3927, MICRODOT						
-209	202-3942, MICRODOT						
-210	8451 BELDEN						
-211	202-3934 MICRODOT	1.47	TAI-161	TAI-161			
-212	2524E0114, RAYCHEM						
-213	TWC-78-2						
-214	TWC-124-2						
-215	BL-982 TIMES						
-216	BL-1242 TIMES						
-217	GC875TM24H, GRUMMAN						
-218	EPD22I888, RAYCHEM						
-219	2526D1114, RAYCHEM						
-220	GC875RR1, GRUMMAN				1.76	TAI-169	TAI-169
-221	10614, RAYCHEM						
-222	10613, RAYCHEM						
-223	HMS2-1149, HUGHES						
-224	TWCP-124-3						
-225	PS665PL, PRIME STOCK						
-301	GC875GC1, GRUMMAN						
-302	GC875GB1, GRUMMAN						
-303	7528A5314, RAYCHEM						
-304							
-305	M17177-00001 THERMATICS	1.47	TAI-178	TAI-178			
-306	TRC-50-2						
-307	M17134-00002						
-307	TRC-75-1				1.76	TAI-154	TAI-154
-308	TRC-75-2						
-309	TRC-50-1						

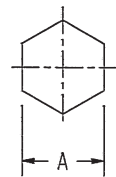
TABLE 2				
POLARIZATION CHART				
KEYING LETTER	C DEGREES	D DEGREES	E DEGREES	COLOR BAND
NONE	120°	120°	120°	NONE
T	100°	150°	110°	RED
U	120°	130°	110°	ORANGE
V	115°	130°	115°	YELLOW
W	125°	110°	125°	GREEN
X	130°	100°	130°	BLUE
Y	110°	140°	110°	VIOLET
Z	100°	160°	100°	GRAY
S	135°	135°	90°	WHITE

DATA CONTAINED IN THIS DOCUMENT IS PROPRIETARY OF TROMPETER ELECTRONICS INC. AND SHALL NOT BE DISCLOSED, COPIED OR USED FOR PROCUREMENT OR MANUFACTURE WITHOUT EXPRESS WRITTEN PERMISSION.

REVISIONS			
REV	DESCRIPTION	DATE	APPROVED
W	REVISED PER ECO 16072		

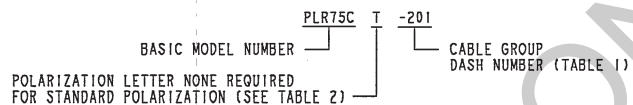


SCALE 2/1



RECOMMENDED HEX CRIMP

4. EXAMPLE OF COMPLETE MODEL NUMBER:



-201 SHOWN

3. SHRINKABLE STRAIN RELIEF AND/OR SHRINKABLE SEALING SLEEVE SUPPLIED LOOSE AS FOLLOWS:

- a. CABLE GROUPS -201 THROUGH -210, -217 THROUGH -303, -305, -307 AND -309
  - 1 SHRINKABLE STRAIN RELIEF (1.00 LONG)
  - 1 SHRINKABLE SEALING SLEEVE (1.25 LONG)
- b. CABLE GROUPS -211 THROUGH -216, -306 AND -308
  - 1 SHRINKABLE STRAIN RELIEF (1.75 LONG)

RED INDICATES ORIGINAL

- 2. 3-LUG BAYONET CONCENTRIC TWINAX/TRIAX TRB RIGHT ANGLE FULL CRIMP CABLE PLUG
  - 1. TFS-1A (NICKEL)

NOTES: UNLESS OTHERWISE SPECIFIED.

INTERPRET DRAWING PER MIL-STD-100. DIMENSIONS ARE IN INCHES AND INCLUDE FINISH THICKNESS UNLESS OTHERWISE SPECIFIED.		TOL: UNLESS SPECIFIED .XX ± .02 .XXX ± .010 ANGLE ± 1°			
DRW L.M. 2-9-06 CTS 2/2/06	MATERIAL		TITLE: PLR75C /T/U/V/W/X/Y/Z/S		
QUALITY	FINISH		SIZE B	CAGE CODE 14949	DRAWING NO. 310-0066
MANUF	APPROVED		SCALE 2/1	DATE 7-28-87	SHEET 1C
NEXT ASSY	PROJE FILE NO. 310-0066	DO NOT SCALE DWG		REV W	