



Chipsmall Limited consists of a professional team with an average of over 10 year of expertise in the distribution of electronic components. Based in Hongkong, we have already established firm and mutual-benefit business relationships with customers from,Europe,America and south Asia,supplying obsolete and hard-to-find components to meet their specific needs.

With the principle of “Quality Parts,Customers Priority,Honest Operation,and Considerate Service”,our business mainly focus on the distribution of electronic components. Line cards we deal with include Microchip,ALPS,ROHM,Xilinx,Pulse,ON,Everlight and Freescale. Main products comprise IC,Modules,Potentiometer,IC Socket,Relay,Connector.Our parts cover such applications as commercial,industrial, and automotives areas.

We are looking forward to setting up business relationship with you and hope to provide you with the best service and solution. Let us make a better world for our industry!



## Contact us

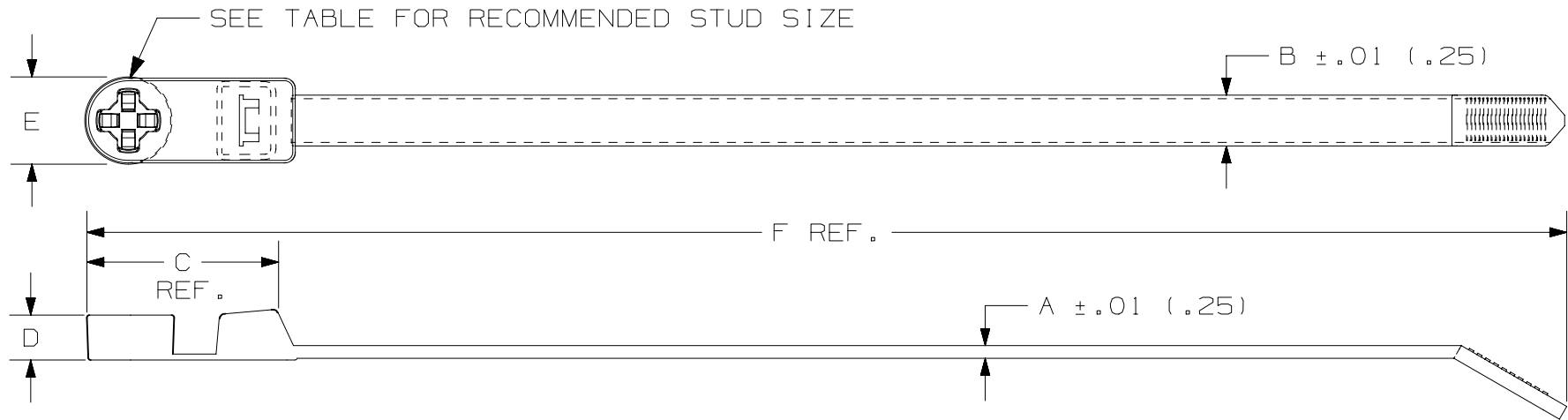
Tel: +86-755-8981 8866 Fax: +86-755-8427 6832

Email & Skype: info@chipsmall.com Web: www.chipsmall.com

Address: A1208, Overseas Decoration Building, #122 Zhenhua RD., Futian, Shenzhen, China



THIS COPY IS PROVIDED ON A RESTRICTED BASIS AND IS NOT TO BE USED IN ANY WAY DETRIMENTAL TO THE INTERESTS OF PANDUIT CORP.



PANDUIT PART NO. *	BUNDLE DIA.		A In (mm)	B In (mm)	C In (mm)	D In (mm)	E In (mm)	F In (mm)	MIN. LOOP TENSILE lbs (N)	CROSS-SECTION	RECM. STUD SIZE		WEIGHT lbs/100pcs (g)
	MIN. IN (mm)	MAX. IN (mm)									STUD	LENGTH (min.)	
PLST2HS25	.18 (4.8)	2.00 (50.8)	.075 (1.9)	.300 (7.6)	.94 (23.9)	.265 (6.7)	.515 (13.1)	8.2 (208)	120 (534)	HEAVY	1/4-20	.25	.914 (415)
PLST4HS25	.18 (4.8)	4.00 (101.6)	.075 (1.9)	.300 (7.6)	.94 (23.9)	.265 (6.7)	.515 (13.1)	15.3 (389)	120 (534)	HEAVY	1/4-20	.25	1.44 (654)

NOTES:

\*1) SEE [panduit.com](http://panduit.com) FOR PART NUMBER SUFFIX DESIGNATION FOR PACKAGE SIZE AND PART COLOR.

REV	DATE	BY	CHK	APR	DESCRIPTION	ECN	TITLE	ITEM REVISION NAME	DATASET FILE NAME	MATERIAL:	DRAWING NUMBER:	
							STUD MOUNT CABLE TIE PLST2/4H SERIES	SS_27185_00/AB	SS_27185_02/A	HEAT STABILIZED NYLON 6.6	SS-27185	
							CUSTOMER DRAWING					
							UNLESS OTHERWISE SPECIFIED, DIMENSIONAL TOLERANCES ARE: IN (mm)					
							.x ± ---- .xxx ± .020 (.5)					
							.xx ± .02 (.5) ANGLES ± ----					
							THIRD ANGLE PROJECTION					
2	3/26/14	BWG	MPH	JADE	ADDED PLST2H.	27185/02						
1	10-22-01	JABO	SP	SP	REMOVED PLST2H & 3H, PARTS OBSOLETE	27185/01						
REV	DATE	BY	CHK	APR	DESCRIPTION	ECN	DRAWN BY	DATE	CHK	SCALE	SHT 1 OF 1	SIZE
							JABO	11-11-98	RCRO	NONE		A