



Chipsmall Limited consists of a professional team with an average of over 10 year of expertise in the distribution of electronic components. Based in Hongkong, we have already established firm and mutual-benefit business relationships with customers from,Europe,America and south Asia,supplying obsolete and hard-to-find components to meet their specific needs.

With the principle of “Quality Parts,Customers Priority,Honest Operation,and Considerate Service”,our business mainly focus on the distribution of electronic components. Line cards we deal with include Microchip,ALPS,ROHM,Xilinx,Pulse,ON,Everlight and Freescale. Main products comprise IC,Modules,Potentiometer,IC Socket,Relay,Connector.Our parts cover such applications as commercial,industrial, and automotives areas.

We are looking forward to setting up business relationship with you and hope to provide you with the best service and solution. Let us make a better world for our industry!



Contact us

Tel: +86-755-8981 8866 Fax: +86-755-8427 6832

Email & Skype: info@chipsmall.com Web: www.chipsmall.com

Address: A1208, Overseas Decoration Building, #122 Zhenhua RD., Futian, Shenzhen, China



NOTES:

1. ALL ITEMS SHIPPED NON-ASSEMBLED.
2. SEALED TO IP67 RATING.

REV.	DESCRIPTION	DATE	APPROVED
B	Engineering Release	4/4/17	J.C.

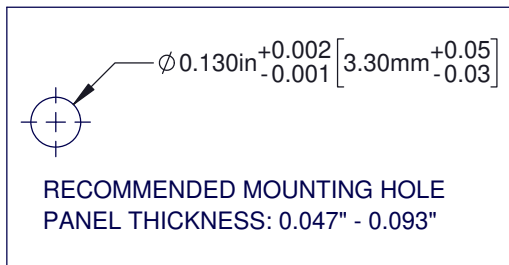
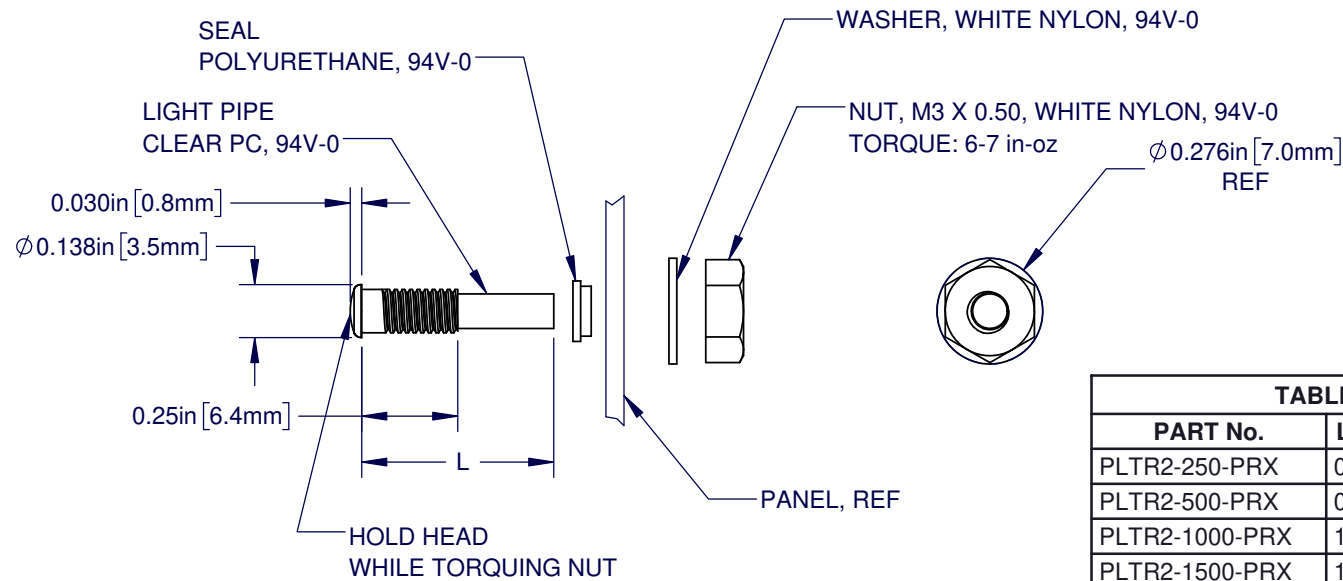
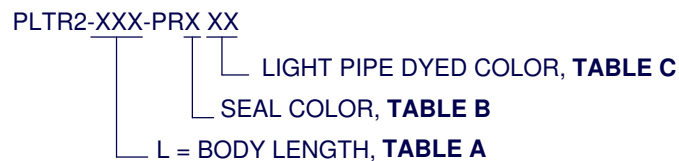


TABLE A	
PART No.	L = BODY LENGTH
PLTR2-250-PRX	0.250 (6.4mm)
PLTR2-500-PRX	0.500 (12.7mm)
PLTR2-1000-PRX	1.000 (25.4mm)
PLTR2-1500-PRX	1.500 (38.1mm)
PLTR2-2000-PRX	2.000 (50.8mm)
PLTR2-2500-PRX	2.500 (63.5mm)
PLTR2-3000-PRX	3.000 (76.2mm)
PLTR2-8MM-PRX	8mm (0.315")
PLTR2-16MM-PRX	16mm (0.630")
PLTR2-24MM-PRX	24mm (0.945")
PLTR2-32MM-PRX	32mm (1.260")
PLTR2-40MM-PRX	40mm (1.575")
PLTR2-48MM-PRX	48mm (1.890")
PLTR2-56MM-PRX	56mm (2.205")
PLTR2-64MM-PRX	64mm (2.520")
PLTR2-72MM-PRX	72mm (2.835")

TABLE B (SEAL)	
COLOR	CODE
BLACK	1
WHITE	2

TABLE C (DYE)	
COLOR	CODE
BLUE	BE
BLACK	BK
GREEN	GN
GRAY	GY
RED	RD
YELLOW	YW
NONE	BLANK

PART NUMBER CONFIGURATION



STANDARD TOLERANCE (UNLESS OTHERWISE SPECIFIED)		 4 THOMAS, IRVINE, CA. 92618 TEL: (949) 951-8808 FAX: (949) 951-3974	
DECIMALS	ANGULAR		
.X ± .1	X° ± 1°	TITLE: LIGHT PIPE, 3.5mm, IP67	
.XX ± .01			
.XXX ± .005		PART NO: PLTR2-XXX-PRX REVISION: B	
DESIGNED: TD. NGUYEN	DATE: 4/4/17	CAGE CODE : 32559 SHEET # 1 OF 1	
CHECKED: J. CHIANG	DATE: 4/4/17	CAD GENERATED DOCUMENT, DO NOT MEASURE DRAWING	