



Chipsmall Limited consists of a professional team with an average of over 10 year of expertise in the distribution of electronic components. Based in Hongkong, we have already established firm and mutual-benefit business relationships with customers from,Europe,America and south Asia,supplying obsolete and hard-to-find components to meet their specific needs.

With the principle of “Quality Parts,Customers Priority,Honest Operation,and Considerate Service”,our business mainly focus on the distribution of electronic components. Line cards we deal with include Microchip,ALPS,ROHM,Xilinx,Pulse,ON,Everlight and Freescale. Main products comprise IC,Modules,Potentiometer,IC Socket,Relay,Connector.Our parts cover such applications as commercial,industrial, and automotives areas.

We are looking forward to setting up business relationship with you and hope to provide you with the best service and solution. Let us make a better world for our industry!



Contact us

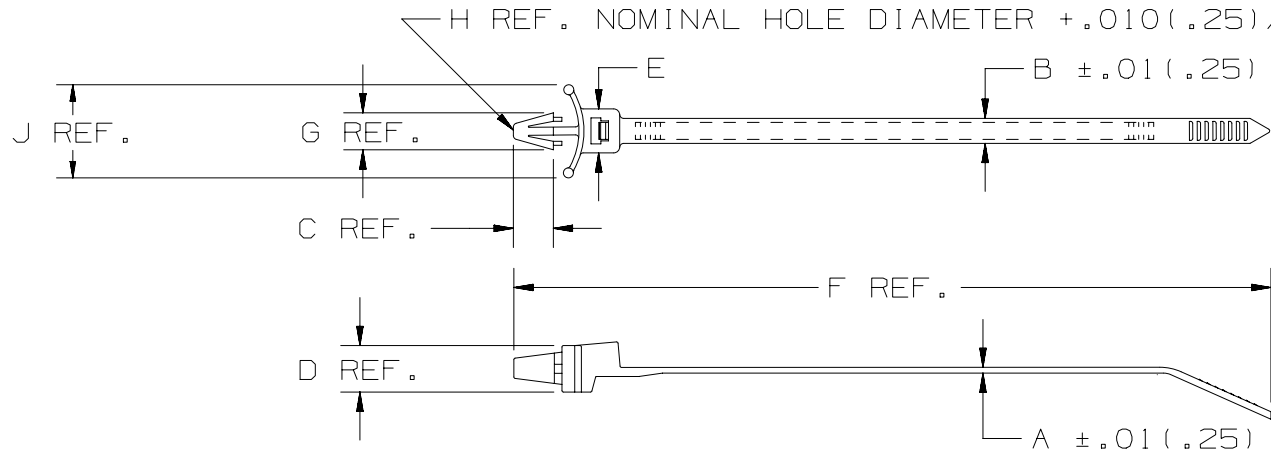
Tel: +86-755-8981 8866 Fax: +86-755-8427 6832

Email & Skype: info@chipsmall.com Web: www.chipsmall.com

Address: A1208, Overseas Decoration Building, #122 Zhenhua RD., Futian, Shenzhen, China



THIS COPY IS PROVIDED ON A RESTRICTED BASIS AND IS NOT TO BE USED IN ANY WAY DETRIMENTAL TO THE INTERESTS OF PANDUIT CORP.



PANDUIT PART NO.	BUNDLE DIAMETER		A	B	REF. C	REF. D	E	REF. F	REF. G	REF. H	REF. J	MAX PANEL THICKNESS in (mm)	MIN. LOOP TENSILE lbs (N)	CROSS SECTION	WEIGHT 100 pcs. lbs (g)
	MIN. in (mm)	MAX. in (mm)													
PLWP1M	.06 (1.5)	.87 (22.1)	.044 (1.1)	.098 (2.5)	.230 (5.8)	.220 (5.6)	.180 (4.6)	4.3 (109)	.240 (6.1)	.187 (4.7)	.53 (13.5)	.093 (2.4)	18 (80)	MINIATURE	.11 (50)
PLWP1.5I	.06 (1.5)	1.25 (31.8)	.045 (1.2)	.135 (3.4)	.230 (5.8)	.280 (7.1)	.240 (6.1)	6.0 (152)	.240 (6.1)	.187 (4.7)	.450 (11.4)	.093 (2.4)	40 (178)	INTERMEDIATE	.17 (77)
PLWP1S	.06 (1.5)	1.00 (25.4)	.052 (1.3)	.190 (4.8)	.300 (7.6)	.370 (9.4)	.316 (8.0)	5.2 (132)	.330 (8.4)	.250 (6.4)	.74 (18.8)	.105 (2.7)	50 (222)	STANDARD	.29 (132)
PLWP1.5S	.06 (1.5)	1.50 (38.1)	.052 (1.3)	.190 (4.8)	.300 (7.6)	.370 (9.4)	.316 (8.0)	6.8 (173)	.330 (8.4)	.250 (6.4)	.74 (18.8)	.105 (2.7)	50 (222)	STANDARD	.34 (154)
PLWP2S	.06 (1.5)	1.75 (44.5)	.052 (1.3)	.190 (4.8)	.300 (7.6)	.370 (9.4)	.316 (8.0)	7.8 (198)	.330 (8.4)	.250 (6.4)	.74 (18.8)	.105 (2.7)	50 (222)	STANDARD	.37 (168)

NOTES:

1. RECOGNIZED UNDER THE COMPONENT PROGRAM OF UNDERWRITERS LABORATORIES INC.

DIMENSIONS IN PARENTHESES ARE IN METRIC UNITS

REV	DATE	BY	CHK	APR	DESCRIPTION	ECN	TITLE	MATERIAL:	DRAWING NUMBER:	SIZE
							LOCKING WING PUSH MOUNT TIE - PLWP SERIES	NYLON 6.6	SS-17564	A
							CUSTOMER DRAWING			
							ITEM REVISION NAME			
							W10001BI/01			
							DATASET FILE NAME			
							W10001BI/01-SS_17564_REV14			
							UNLESS OTHERWISE SPECIFIED, DIMENSIONAL TOLERANCES ARE: IN [mm]			
							.x ± .1 (2.5)	.xxx ± .020 (.51)		
							.xx ± .02 (.5)	ANGLES ± - - - - -		
							THIRD ANGLE PROJECTION			
							UPDATED TITLE BORDER.			
14	11/25/13	BWG	JADE	JADE	REVISED REF. NOTES. SEE ECN FOR COMPLETE DETAILS.	SS-17564/14				
							DRAWN BY	DATE	CHK	SCALE
							C.HARVELL	05/26/92	HVP	NONE
										SHT 1 OF 1

D10100DA/16