



Chipsmall Limited consists of a professional team with an average of over 10 year of expertise in the distribution of electronic components. Based in Hongkong, we have already established firm and mutual-benefit business relationships with customers from,Europe,America and south Asia,supplying obsolete and hard-to-find components to meet their specific needs.

With the principle of “Quality Parts,Customers Priority,Honest Operation,and Considerate Service”,our business mainly focus on the distribution of electronic components. Line cards we deal with include Microchip,ALPS,ROHM,Xilinx,Pulse,ON,Everlight and Freescale. Main products comprise IC,Modules,Potentiometer,IC Socket,Relay,Connector.Our parts cover such applications as commercial,industrial, and automotives areas.

We are looking forward to setting up business relationship with you and hope to provide you with the best service and solution. Let us make a better world for our industry!



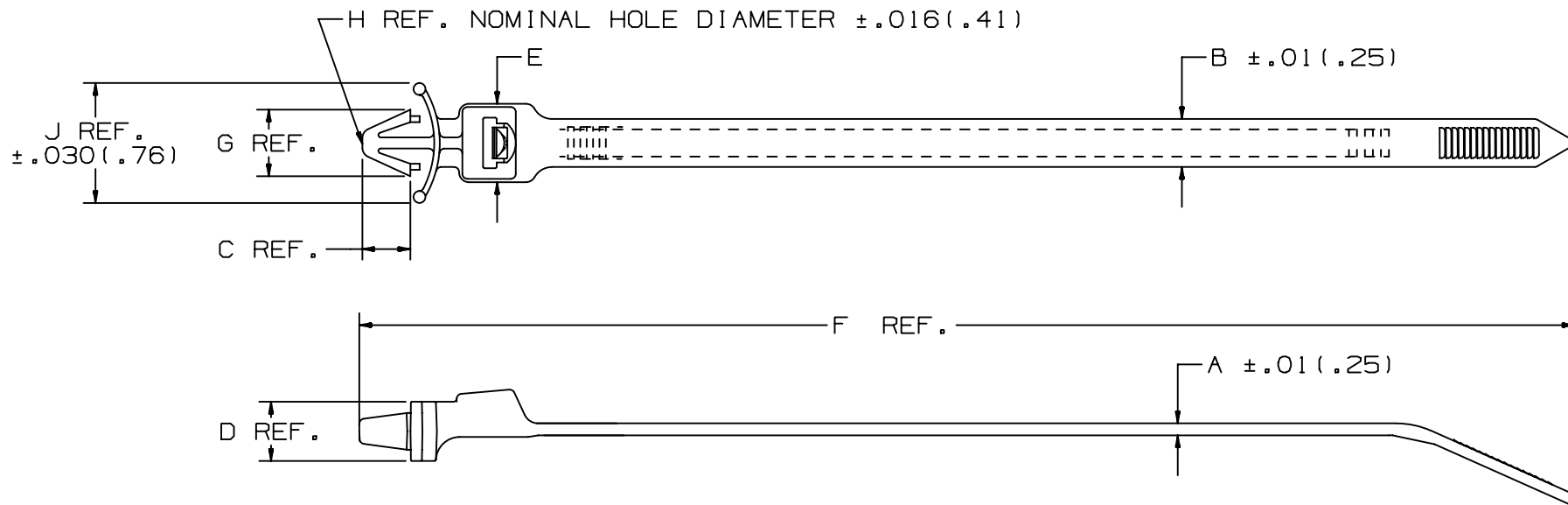
Contact us

Tel: +86-755-8981 8866 Fax: +86-755-8427 6832

Email & Skype: info@chipsmall.com Web: www.chipsmall.com

Address: A1208, Overseas Decoration Building, #122 Zhenhua RD., Futian, Shenzhen, China





PANDUIT PART NO. *	BUNDLE DIA.		A	B	C	D	E	F	G	H	J	MAX. PANEL THICKNESS in (mm)	MIN. LOOP TENSILE lbs (N)	CROSS SECTION	WEIGHT 100 pcs lbs (g)
	MIN. in (mm)	MAX. in (mm)													
PLWP2H	.188 (4.8)	2.00 (50.8)	.075 (1.9)	.300 (7.6)	.300 (7.6)	.370 (9.4)	.480 (12.2)	8.9 (226)	.416 (10.6)	.266 (6.8)	.740 (18.8)	.105 (2.7)	120 (534)	HEAVY	.86 (390)
PLWP3H	.188 (4.8)	3.00 (76.2)	.075 (1.9)	.300 (7.6)	.300 (7.6)	.370 (9.4)	.480 (12.2)	12.0 (305)	.416 (10.6)	.266 (6.8)	.740 (18.8)	.105 (2.7)	120 (534)	HEAVY	1.14 (517)

NOTE:

1) SEE CURRENT PRICE SHEET FOR PART NUMBER SUFFIX DESIGNATION FOR PACKAGE SIZE AND PART COLOR.

DIMENSIONS IN PARENTHESIS ARE IN METRIC UNITS

PANDUIT CORP. TINLEY PARK, ILLINOIS

LOCKING WING PUSH MOUNT TIE
PLWP2H/3H

UNLESS OTHERWISE SPECIFIED, DIMENSIONAL TOLERANCES ARE:
(.X) $\pm .1 (.25)$ (.XXX) $\pm .020 (.51)$
(.XX) $\pm .02 (.5)$ ANGLES \pm -----

UNLESS OTHERWISE SPECIFIED, ALL DIMENSIONS ARE GIVEN IN INCHES, THIRD ANGLE PROJECTION.

DRAWN BY
RAM

MAT'L:

SCALE .8:1

DATE
7-28-93

NYLON
6/6

DRAWING NO.
SS-26836

DWG
A
SIZE

4	1/29/04	JABO		CHANGED FORMAT FOR CONSISTENCY SEE ECN FOR DETAILS	26836	4									
REV	DATE	BY	CHK	DESCRIPTION	ECN	R	CUST	SUP							

CHK'D
HVP