



Chipsmall Limited consists of a professional team with an average of over 10 year of expertise in the distribution of electronic components. Based in Hongkong, we have already established firm and mutual-benefit business relationships with customers from,Europe,America and south Asia,supplying obsolete and hard-to-find components to meet their specific needs.

With the principle of "Quality Parts,Customers Priority,Honest Operation,and Considerate Service",our business mainly focus on the distribution of electronic components. Line cards we deal with include Microchip,ALPS,ROHM,Xilinx,Pulse,ON,Everlight and Freescale. Main products comprise IC,Modules,Potentiometer,IC Socket,Relay,Connector.Our parts cover such applications as commercial,industrial, and automotives areas.

We are looking forward to setting up business relationship with you and hope to provide you with the best service and solution. Let us make a better world for our industry!



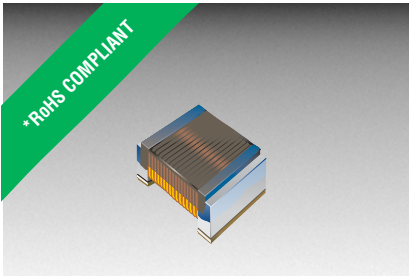
## Contact us

Tel: +86-755-8981 8866 Fax: +86-755-8427 6832

Email & Skype: info@chipsmall.com Web: www.chipsmall.com

Address: A1208, Overseas Decoration Building, #122 Zhenhua RD., Futian, Shenzhen, China





**BOURNS®**

**Features**

- Formerly J. W. Miller® model
- 0603 size
- Available in E12 series
- High Q up to 35 typ.
- High operating temperature of 125 °C

**Applications**

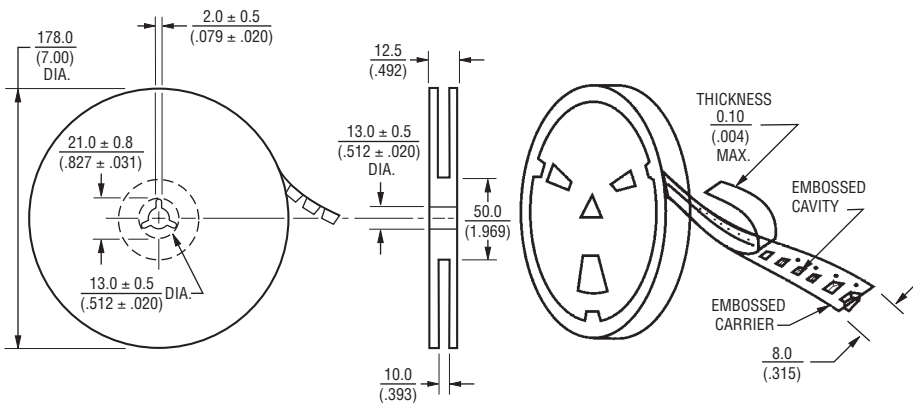
- Mobile phones
- Cellular phones
- CTV, VCR, HIC, FDD

**PM0603 Series - High Q Chip Inductors**

**Electrical Specifications**

Bourns Part No.	Inductance		Q Min.	Test Frequency (MHz)		SRF Min. (MHz)	RDC (Ω)	I rms Max. (mA)
	nH	Tol. %		L	Q			
PM0603-2N2-RC	2.2	±15	16	250	250	6000	0.08	700
PM0603-3N9-RC	3.9	±10	16	250	250	6000	0.08	700
PM0603-4N7-RC	4.7	±10	16	250	250	5800	0.10	700
PM0603-6N8J-RC	6.8	±5	25	250	250	5800	0.11	700
PM0603-8N2J-RC	8.2	±5	30	250	250	5000	0.11	700
PM0603-10NJ-RC	10	±5	30	250	250	4800	0.13	700
PM0603-12NJ-RC	12	±5	30	250	250	4000	0.13	700
PM0603-15NJ-RC	15	±5	30	250	250	4000	0.17	700
PM0603-18NJ-RC	18	±5	30	250	250	3100	0.17	700
PM0603-22NJ-RC	22	±5	35	250	250	3000	0.19	700
PM0603-27NJ-RC	27	±5	35	250	250	2800	0.22	600
PM0603-33NJ-RC	33	±5	35	250	250	2300	0.22	600
PM0603-39NJ-RC	39	±5	35	250	250	2200	0.25	600
PM0603-47NJ-RC	47	±5	35	200	250	2100	0.28	600
PM0603-56NJ-RC	56	±5	35	200	250	1900	0.31	600
PM0603-68NJ-RC	68	±5	35	200	250	1700	0.34	600
PM0603-72NJ-RC	72	±5	34	200	250	1700	0.49	400
PM0603-82NJ-RC	82	±5	34	150	250	1700	0.54	400
PM0603-R10J-RC	100	±5	34	150	250	1400	0.71	400
PM0603-R12J-RC	120	±5	32	150	250	1350	0.79	300
PM0603-R15J-RC	150	±5	28	150	150	1300	0.92	280
PM0603-R18J-RC	180	±5	25	100	100	990	1.25	240
PM0603-R22J-RC	220	±5	25	100	100	990	1.90	200
PM0603-R27J-RC	270	±5	25	100	100	990	2.30	170

**Packaging Specifications**



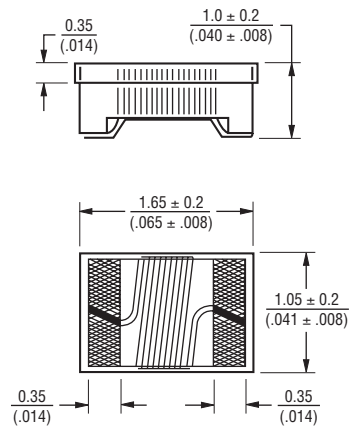
**General Specifications**

Temperature Rise ..... 20 °C max. at rated current  
 Operating Temperature ..... -40 °C to +125 °C  
 Storage Temperature ..... -40 °C to +125 °C  
 Reflow Soldering .. 230 °C, 50 sec. max.  
 Resistance to Soldering Heat ..... 260 °C, 10 seconds

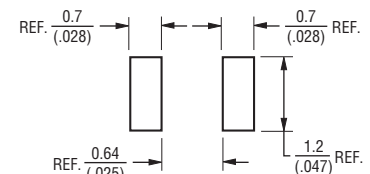
**Materials**

Core Material ..... Alumina (1CC150707-302291)  
 Wire ..... Enamelled Copper (1W1E180)  
 Terminal ..... Mo/Mn+Ni+Au  
 Encapsulate ..... Epoxy (1EAS-UV300)  
 Packaging ..... 3,000 pcs per reel

**Product Dimensions**



**Recommended Layout**



DIMENSIONS:  $\frac{\text{MM}}{\text{(INCHES)}}$

REV. 05/11

\*RoHS Directive 2002/95/EC Jan. 27, 2003 including annex and RoHS Recast 2011/65/EU June 8, 2011. Specifications are subject to change without notice. Customers should verify actual device performance in their specific applications.