



Chipsmall Limited consists of a professional team with an average of over 10 year of expertise in the distribution of electronic components. Based in Hongkong, we have already established firm and mutual-benefit business relationships with customers from,Europe,America and south Asia,supplying obsolete and hard-to-find components to meet their specific needs.

With the principle of “Quality Parts,Customers Priority,Honest Operation,and Considerate Service”,our business mainly focus on the distribution of electronic components. Line cards we deal with include Microchip,ALPS,ROHM,Xilinx,Pulse,ON,Everlight and Freescale. Main products comprise IC,Modules,Potentiometer,IC Socket,Relay,Connector.Our parts cover such applications as commercial,industrial, and automotives areas.

We are looking forward to setting up business relationship with you and hope to provide you with the best service and solution. Let us make a better world for our industry!



## Contact us

Tel: +86-755-8981 8866 Fax: +86-755-8427 6832

Email & Skype: info@chipsmall.com Web: www.chipsmall.com

Address: A1208, Overseas Decoration Building, #122 Zhenhua RD., Futian, Shenzhen, China



# Chip Inductors

## Special Features

- Ceramic core, wire wound for superior reliability
- High self-resonant frequency
- Very stable electrical characteristics
- Flat top surface for automated pick & place
- Operating temperature -40 to +125°C
- Tape & reel packaged 3000/reel

## Typical Applications

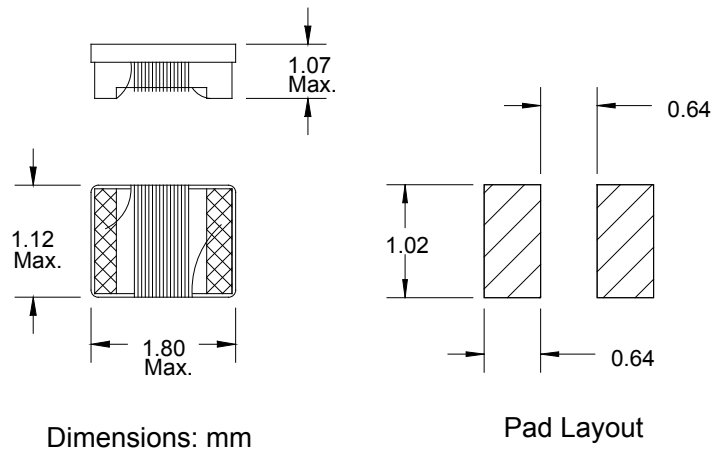
- Small cellular phones
- PDA
- Pagers
- Handheld organizers
- High frequency wireless communication devices
- Laptop computers
- Network cards
- Industrial electronics
- Entertainment electronic devices

## Notes

- \* Current to cause approx. 15°C of temperature rise
- \*\* Crosses to the following Bourns Series  
@ [www.Bourns.com](http://www.Bourns.com)  
PM0603 link to Bourns [CW160808](http://www.Bourns.com/CW160808)

| PM0603 Series |                    |           |                     |                      |                      |                    |               |
|---------------|--------------------|-----------|---------------------|----------------------|----------------------|--------------------|---------------|
| Part Number   | L (nH)<br>± 0.3 nH | Q<br>Min. | Text Freq.<br>(MHz) | Q Typ.<br>@<br>900Mz | SRF<br>(MHz)<br>Min. | DCR<br>(Ω)<br>Max. | I dc*<br>(mA) |
| PM0603-2N2    | 2.2                | 18        | 250                 | 38                   | 6900                 | 0.08               | 700           |
| PM0603-3N9    | 3.9                | 22        | 250                 | 48                   | 6900                 | 0.08               | 700           |
| PM0603-4N7    | 4.7                | 20        | 250                 | 47                   | 5800                 | 0.13               | 700           |
|               | ±5%                |           |                     |                      |                      |                    |               |
| PM0603-6N8J   | 6.8                | 28        | 250                 | 60                   | 5800                 | 0.11               | 700           |
| PM0603-8N2J   | 8.2                | 30        | 250                 | 62                   | 4600                 | 0.11               | 700           |
| PM0603-10NJ   | 10                 | 30        | 250                 | 60                   | 4800                 | 0.15               | 700           |
| PM0603-12NJ   | 12                 | 30        | 250                 | 65                   | 4000                 | 0.13               | 700           |
| PM0603-15NJ   | 15                 | 35        | 250                 | 69                   | 4000                 | 0.17               | 700           |
| PM0603-18NJ   | 18                 | 35        | 250                 | 75                   | 3100                 | 0.17               | 700           |
| PM0603-22NJ   | 22                 | 38        | 250                 | 70                   | 3000                 | 0.19               | 700           |
| PM0603-27NJ   | 27                 | 40        | 250                 | 75                   | 2800                 | 0.23               | 700           |
| PM0603-33NJ   | 33                 | 43        | 250                 | 78                   | 2300                 | 0.23               | 600           |
| PM0603-39NJ   | 39                 | 43        | 250                 | 60                   | 2200                 | 0.25               | 600           |
| PM0603-47NJ   | 47                 | 40        | 200                 | 65                   | 2000                 | 0.28               | 600           |
| PM0603-56NJ   | 56                 | 40        | 200                 | 65                   | 1900                 | 0.31               | 600           |
| PM0603-68NJ   | 68                 | 40        | 200                 | 55                   | 1700                 | 0.34               | 600           |
| PM0603-72NJ   | 72                 | 35        | 150                 | 53                   | 1700                 | 0.49               | 400           |
| PM0603-82NJ   | 82                 | 35        | 150                 | 55                   | 1700                 | 0.54               | 400           |
|               | (uH)               |           |                     |                      |                      |                    |               |
| PM0603-R10J   | 0.10               | 35        | 150                 | 50                   | 1400                 | 0.58               | 400           |
| PM0603-R12J   | 0.12               | 35        | 150                 | 40                   | 1300                 | 0.65               | 300           |
| PM0603-R15J   | 0.15               | 30        | 150                 | 28                   | 990                  | 0.92               | 280           |
| PM0603-R18J   | 0.18               | 30        | 100                 | 22                   | 990                  | 1.25               | 240           |
| PM0603-R22J   | 0.22               | 30        | 100                 | 20                   | 990                  | 2.10               | 200           |
| PM0603-R27J   | 0.27               | 30        | 100                 | 10                   | 990                  | 2.30               | 170           |

Also available as RoHS compliant.



**J.W. Miller**  
MAGNETICS

306 E. Alondra Blvd. Gardena, CA 90247-1059 • Phone (310) 515-1720 • FAX (310) 515-1962