



Chipsmall Limited consists of a professional team with an average of over 10 year of expertise in the distribution of electronic components. Based in Hongkong, we have already established firm and mutual-benefit business relationships with customers from,Europe,America and south Asia,supplying obsolete and hard-to-find components to meet their specific needs.

With the principle of “Quality Parts,Customers Priority,Honest Operation,and Considerate Service”,our business mainly focus on the distribution of electronic components. Line cards we deal with include Microchip,ALPS,ROHM,Xilinx,Pulse,ON,Everlight and Freescale. Main products comprise IC,Modules,Potentiometer,IC Socket,Relay,Connector.Our parts cover such applications as commercial,industrial, and automotives areas.

We are looking forward to setting up business relationship with you and hope to provide you with the best service and solution. Let us make a better world for our industry!



Contact us

Tel: +86-755-8981 8866 Fax: +86-755-8427 6832

Email & Skype: info@chipsmall.com Web: www.chipsmall.com

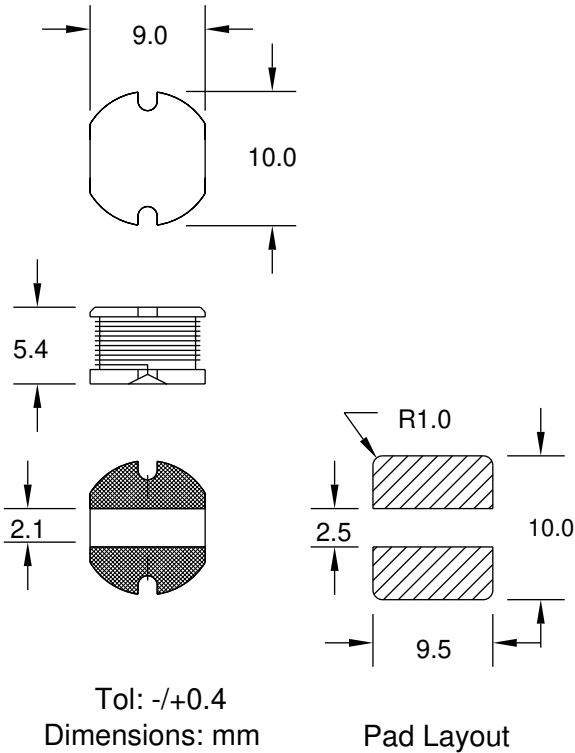
Address: A1208, Overseas Decoration Building, #122 Zhenhua RD., Futian, Shenzhen, China



SMT Power Inductors

Special Features

- High current capacity
- Ferrite bobbin core
- Low core loss for high frequency power application
- Compact size
- Large terminal surface for good PCB bonding
- Operating temperature -30 to +100°C
- Current to cause maximum 10% of inductance drop, or 40°C temperature rise
- Tape & reel packaged 500/ reel



PM105 Series					
Part Number	L (μH) ±20%	Test Freq.	SRF (MHz) Typ.	DCR (Ω) Max.	I, DC (A)
PM105-100M	10	2.52 MHz	25	0.06	2.60
PM105-120M	12	2.52 MHz	23	0.07	2.45
PM105-150M	15	2.52 MHz	19	0.08	2.27
PM105-180M	18	2.52 MHz	18	0.09	2.15
PM105-220M	22	2.52 MHz	15	0.10	1.96
PM105-270M	27	2.52 MHz	14	0.11	1.76
PM105-330M	33	2.52 MHz	13	0.12	1.50
PM105-390M	39	2.52 MHz	12	0.14	1.37
±10%					
PM105-470K	47	2.52 MHz	10	0.17	1.28
PM105-560K	56	2.52 MHz	10	0.19	1.17
PM105-680K	68	2.52 MHz	9	0.22	1.11
PM105-820K	82	2.52 MHz	8	0.25	1.00
PM105-101K	100	1 KHz	7	0.35	0.97
PM105-121K	120	1 KHz	6	0.40	0.89
PM105-151K	150	1 KHz	5	0.47	0.78
PM105-181K	180	1 KHz	5	0.63	0.72
PM105-221K	220	1 KHz	5	0.73	0.66
PM105-271K	270	1 KHz	4	0.97	0.57
PM105-331K	330	1 KHz	4	1.15	0.52
PM105-391K	390	1 KHz	3	1.30	0.48
PM105-471K	470	1 KHz	3	1.48	0.42
PM105-561K	560	1 KHz	3	1.90	0.33
PM105-681K	680	1 KHz	2	2.25	0.28
PM105-821K	820	1 KHz	2	2.55	0.24

J.W. Miller
MAGNETICS

306 E. Alondra Blvd., Gardena, CA 90247-1059 • (310) 515-1720 • FAX (310) 515-1962

www.jwmiller.com