



Chipsmall Limited consists of a professional team with an average of over 10 year of expertise in the distribution of electronic components. Based in Hongkong, we have already established firm and mutual-benefit business relationships with customers from,Europe,America and south Asia,supplying obsolete and hard-to-find components to meet their specific needs.

With the principle of “Quality Parts,Customers Priority,Honest Operation,and Considerate Service”,our business mainly focus on the distribution of electronic components. Line cards we deal with include Microchip,ALPS,ROHM,Xilinx,Pulse,ON,Everlight and Freescale. Main products comprise IC,Modules,Potentiometer,IC Socket,Relay,Connector.Our parts cover such applications as commercial,industrial, and automotives areas.

We are looking forward to setting up business relationship with you and hope to provide you with the best service and solution. Let us make a better world for our industry!



## Contact us

Tel: +86-755-8981 8866 Fax: +86-755-8427 6832

Email & Skype: info@chipsmall.com Web: www.chipsmall.com

Address: A1208, Overseas Decoration Building, #122 Zhenhua RD., Futian, Shenzhen, China

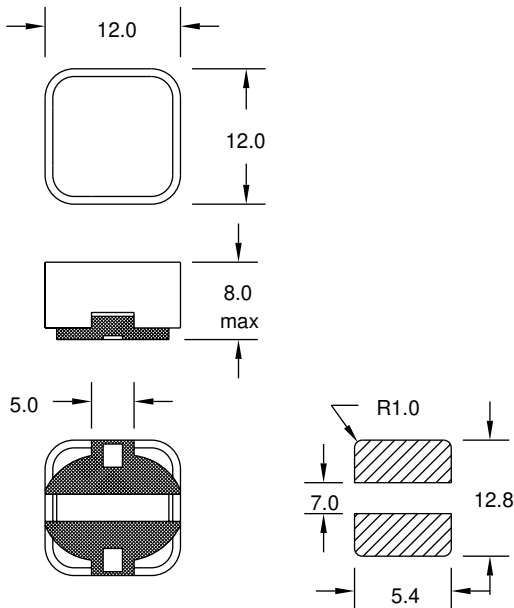


# Shielded, SMT Power Inductors

## Special Features

- High current capacity
- Magnetic shielded for low radiation
- Ferrite bobbin core
- Low core loss for high frequency power application
- Compact size
- Large terminal surface for good PCB bonding
- Operating temperature -30 to +100°C
- Current to cause maximum 25% of inductance drop, or 40°C temperature rise
- Tape & reel packaged 500/reel

PM127SH Series				
Part Number	L (uH) +40/-20%	Test Freq. (KHz)	DCR (Ω) Max.	I, DC (A)
PM127SH-1R2N	1.2	100	0.007	9.8
PM127SH-2R4N	2.4	100	0.012	8.0
PM127SH-3R5N	3.5	100	0.014	7.5
PM127SH-4R7N	4.7	100	0.016	6.8
PM127SH-6R1N	6.1	100	0.018	6.6
PM127SH-7R6N	7.6	100	0.020	5.9
±20%				
PM127SH-100M	10	1.0	0.022	5.4
PM127SH-120M	12	1.0	0.024	4.9
PM127SH-150M	15	1.0	0.027	4.5
PM127SH-180M	18	1.0	0.039	3.9
PM127SH-220M	22	1.0	0.043	3.6
PM127SH-270M	27	1.0	0.046	3.4
PM127SH-330M	33	1.0	0.065	3.0
PM127SH-390M	39	1.0	0.073	2.7
PM127SH-470M	47	1.0	0.10	2.5



Dim: mm  
Tol: -/+0.3

Pad Layout

**J.W. Miller**  
M A G N E T I C S

306 E. Alondra Blvd., Gardena, CA 90247-1059 • (310) 515-1720 • FAX (310) 515-1962

[www.jwmiller.com](http://www.jwmiller.com)