



Chipsmall Limited consists of a professional team with an average of over 10 year of expertise in the distribution of electronic components. Based in Hongkong, we have already established firm and mutual-benefit business relationships with customers from,Europe,America and south Asia,supplying obsolete and hard-to-find components to meet their specific needs.

With the principle of “Quality Parts,Customers Priority,Honest Operation,and Considerate Service”,our business mainly focus on the distribution of electronic components. Line cards we deal with include Microchip,ALPS,ROHM,Xilinx,Pulse,ON,Everlight and Freescale. Main products comprise IC,Modules,Potentiometer,IC Socket,Relay,Connector.Our parts cover such applications as commercial,industrial, and automotives areas.

We are looking forward to setting up business relationship with you and hope to provide you with the best service and solution. Let us make a better world for our industry!



## Contact us

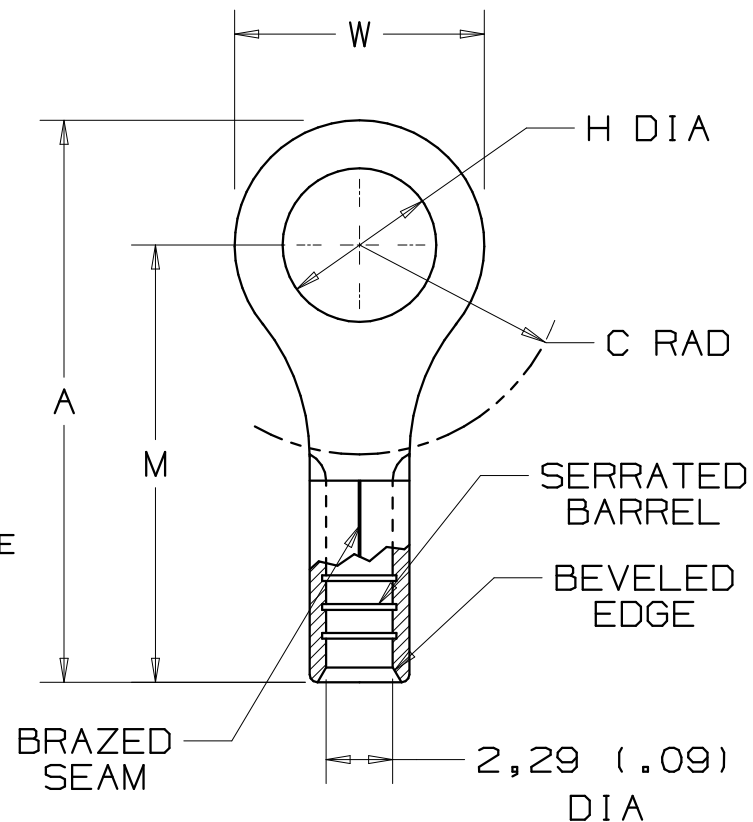
Tel: +86-755-8981 8866 Fax: +86-755-8427 6832

Email & Skype: info@chipsmall.com Web: www.chipsmall.com

Address: A1208, Overseas Decoration Building, #122 Zhenhua RD., Futian, Shenzhen, China




PANDUIT PART #	STUD SIZE	DIMENSIONS mm				
		A ±0,51	W ±0,25	C ±0,38	M ±0,51	H ±0,25
PREFIX						
PM2-3R	M3	15,75 (.62)	5,84 (.23)	5,59 (.22)	12,70 (.50)	3,30 (.13)
PM2-4R	M4	18,03 (.71)	7,87 (.31)	7,37 (.29)	13,97 (.55)	4,57 (.18)
PM2-5R	M5	18,03 (.71)	8,89 (.35)	7,37 (.29)	13,97 (.55)	5,33 (.21)
PM2-6R	M6	23,11 (.91)	10,92 (.43)	10,16 (.40)	17,27 (.68)	6,86 (.27)



NOTES :

- USED FOR :  
A. 1,5-2,5mm<sup>2</sup> (#16-14 AWG), SOLID OR STRANDED, COPPER WIRE
- MATERIAL :  
A. STAMPING - 0,81mm (.03) THK COPPER, TIN PLATED
- DIMENSIONS IN BRACKETS ARE IN INCHES
- PACKAGE QTY:  
A. -X =10, -C =100, -M =1000
- WIRE STRIP LENGTH:  $7,1 \begin{matrix} +,8 \\ -0 \end{matrix}$  (9/32  $\begin{matrix} +1/32 \\ -0 \end{matrix}$ )
- INSTALLATION TOOLS: REF. DWGS.  
A41522, A41523, A41524, A41525

A41431\_02

02	10/06	DAW	DAW	ADDED -X PACKAGE QTY.	TR00171	LCA	TRO	 TINLEY PARK, ILLINOIS
01	10/97	TM	WJB	CHANGED DECIMAL POINTS TO COMMAS	06431	LCA	DBH	
00	11/91	BK	RS	RELEASED	00687	LA	KS	
REV	DATE	BY	CHK	DESCRIPTION	ECN #	CUST	PM	DRAWN BY: BDK CHK'D: SCALE: NONE DRAWING NO.: A41431