



Chipsmall Limited consists of a professional team with an average of over 10 year of expertise in the distribution of electronic components. Based in Hongkong, we have already established firm and mutual-benefit business relationships with customers from,Europe,America and south Asia,supplying obsolete and hard-to-find components to meet their specific needs.

With the principle of “Quality Parts,Customers Priority,Honest Operation,and Considerate Service”,our business mainly focus on the distribution of electronic components. Line cards we deal with include Microchip,ALPS,ROHM,Xilinx,Pulse,ON,Everlight and Freescale. Main products comprise IC,Modules,Potentiometer,IC Socket,Relay,Connector.Our parts cover such applications as commercial,industrial, and automotives areas.

We are looking forward to setting up business relationship with you and hope to provide you with the best service and solution. Let us make a better world for our industry!



Contact us

Tel: +86-755-8981 8866 Fax: +86-755-8427 6832

Email & Skype: info@chipsmall.com Web: www.chipsmall.com

Address: A1208, Overseas Decoration Building, #122 Zhenhua RD., Futian, Shenzhen, China



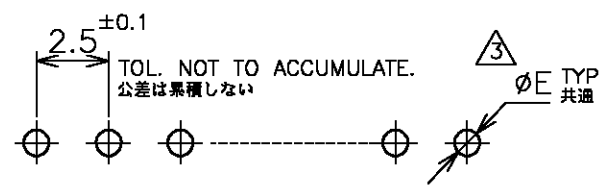
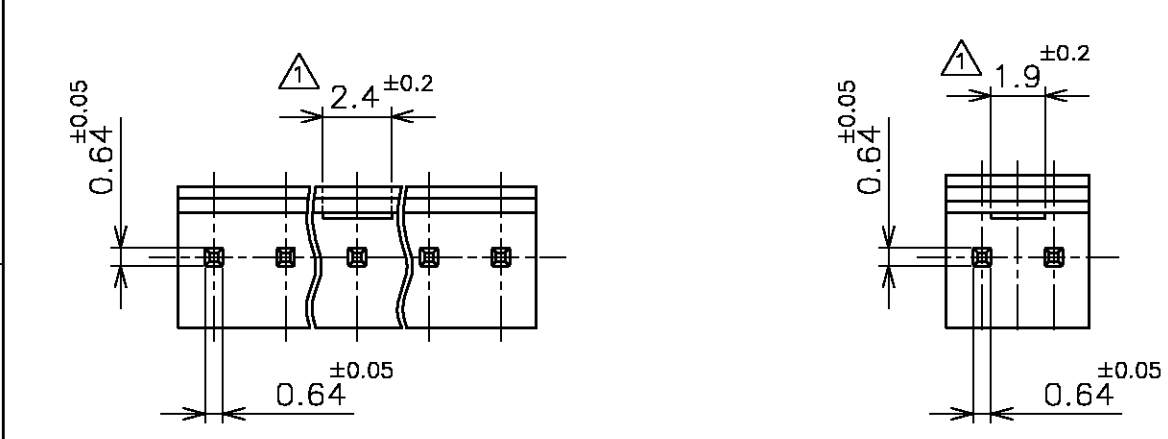
LOC	DIST	REVISIONS					
J	-	P	LTR	DESCRIPTION	DATE	DWN	APVD
		E		REVISED FJB0-0393-03	07MAY03	H.T	I.E

△ ロッキング凹部位置は長手方向の中央。
 △ 塩ビケース詰製品(自動機対応)は図番172800参照のこと。
 △ プリント基板穴径は下記参照してください。

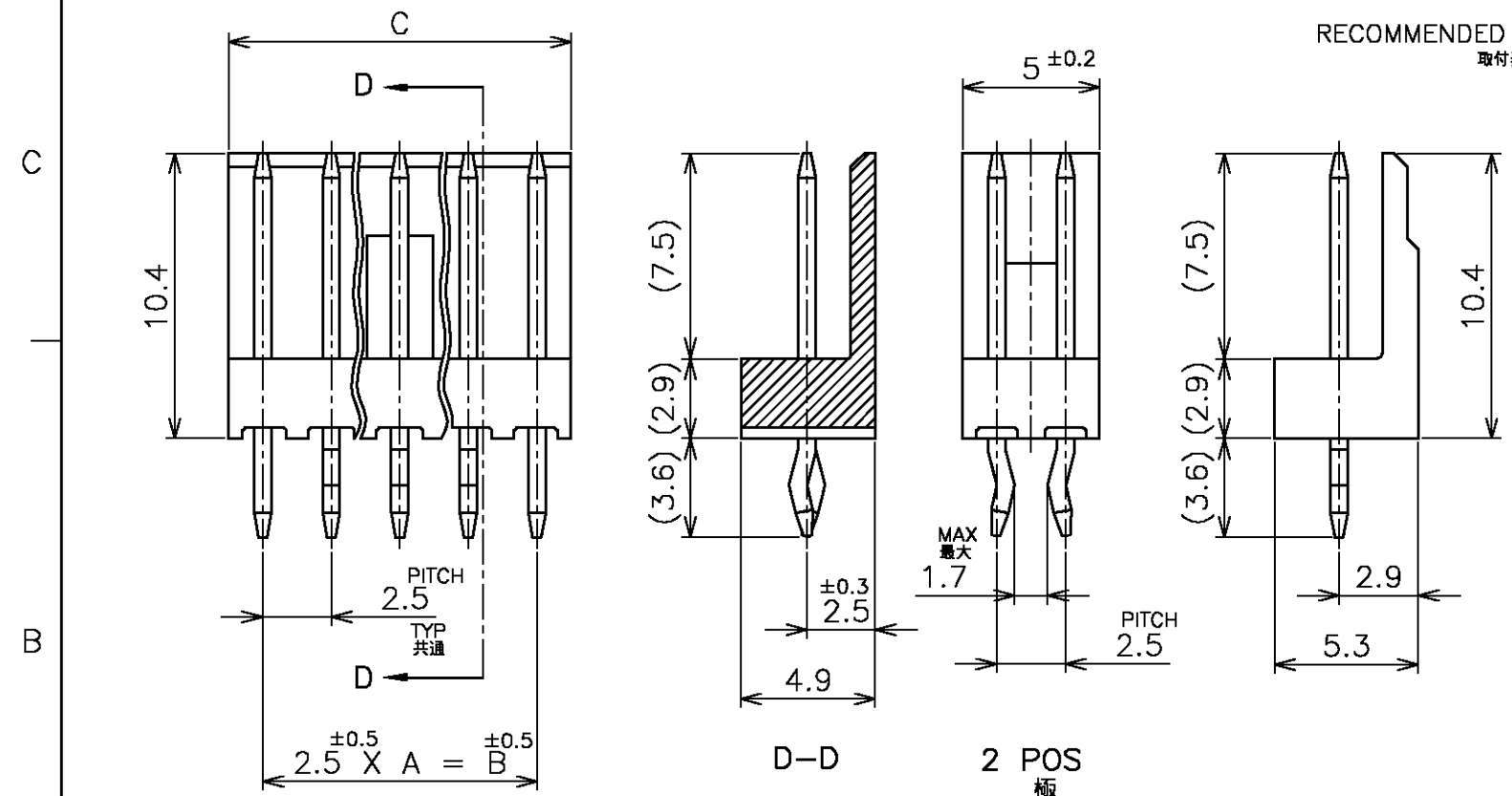
△ LOCKING HOLE IS PLACED ON THE CENTER OF POST HEADER.
 △ REFERENCE TO P/N 172800 ABOUT TUBE PACKING ITEM FOR AUTO MOUNTING MACHINE.
 △ RECOMMENDED HOLE DIA DIMENSION ON PWB

加工	パンチ加工穴	ドリル加工穴
穴径	0.9 ±0.1	1.1 ±0.05

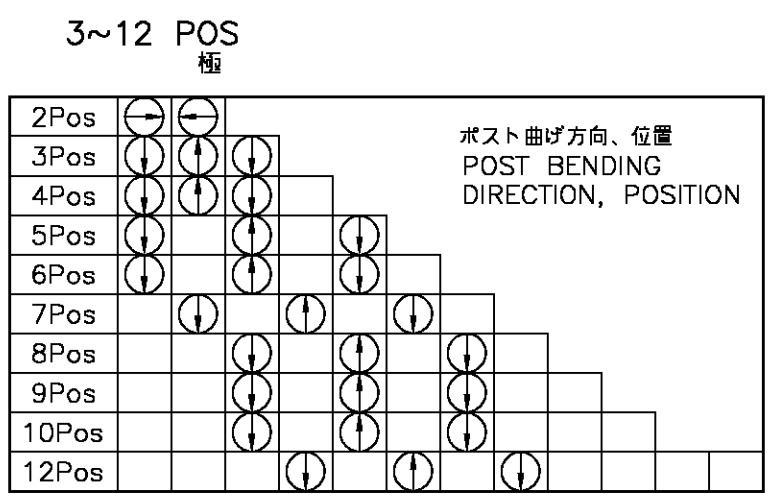
HOLE DIA	POUNCHED HOLE	DRILL HOLE
φE	0.9 ±0.1	1.1 ±0.05



RECOMMENDED BOARD LAYOUT (1.6 THK)
 取付基板寸法(基板厚1.6t)



COLOR	±0.2 C		±0.5 B		A	NO OF POS 極数	TUBE PACKING P/N 塩ビケース詰 型番△	PART NUMBER 型番
	BULE 青色	BLACK 黒色	NATURAL 自然色					
	30.0	27.5	11	12		5-172800-2	5-172732-2	
	25.0	22.5	9	10		5- ↑ -0	5- ↑ -0	
	22.5	20.0	8	9		4- -9	4- -9	
	20.0	17.5	7	8		4- -8	4- -8	
	17.5	15.0	6	7		4- -7	4- -7	
	15.0	12.5	5	6		4- -6	4- -6	
	12.5	10.0	4	5		4- -5	4- -5	
	10.0	7.5	3	4		4- -4	4- -4	
	7.5	5.0	2	3		4- -3	4- -3	
	5.0	2.5	---	2		4-172800-2	4-172732-2	
	30.0	27.5	11	12		3-172800-2	3-172732-2	
	25.0	22.5	9	10		3- ↑ -0	3- ↑ -0	
	22.5	20.0	8	9		2- -9	2- -9	
	20.0	17.5	7	8		2- -8	2- -8	
	17.5	15.0	6	7		2- -7	2- -7	
	15.0	12.5	5	6		2- -6	2- -6	
	12.5	10.0	4	5		2- -5	2- -5	
	10.0	7.5	3	4		2- -4	2- -4	
	7.5	5.0	2	3		2- -3	2- -3	
	5.0	2.5	---	2		2-172800-2	2-172732-2	
	30.0	27.5	11	12		1-172800-2	1-172732-2	
	25.0	22.5	9	10		1- ↑ -0	1- ↑ -0	
	22.5	20.0	8	9		-9	-9	
	20.0	17.5	7	8		-8	-8	
	17.5	15.0	6	7		-7	-7	
	15.0	12.5	5	6		-6	-6	
	12.5	10.0	4	5		-5	-5	
	10.0	7.5	3	4		-4	-4	
	7.5	5.0	2	3		-3	-3	
	5.0	2.5	---	2		172800-2	172732-2	



THIS DRAWING IS A CONTROLLED DOCUMENT.

DIMENSIONS: 単位: 純 MM

TOLERANCES UNLESS OTHERWISE SPECIFIED: 一般公差

MATERIAL 材料 HSG: 66NYLON UL94V-0 POST: BRASS

FINISH 仕上 POST: TIN-PLATE

POST: TIN-PLATE

THIS DRAWING IS A CONTROLLED DOCUMENT.

DWN A.IMAI 06MAR84

CHK N.ONOUE 06MAR84

APVD N.ONOUE 06MAR84

PRODUCT SPEC 製品規格

APPLICATION SPEC 取付適用規格

WEIGHT

CUSTOMER DRAWING

tyco Electronics Tyco Electronics AMP K.K. Kawasaki, Japan

NAME 名称 POST HEADER ASSY (VERTICAL) WITH KINK AMP EI SERIES CONNECTOR

SIZE A3 CAGE CODE 00779 DRAWING NO 番号 172732 RESTRICTED TO

SCALE 尺度 4:1 SHEET 1 OF 1 REV E