



Chipsmall Limited consists of a professional team with an average of over 10 year of expertise in the distribution of electronic components. Based in Hongkong, we have already established firm and mutual-benefit business relationships with customers from,Europe,America and south Asia,supplying obsolete and hard-to-find components to meet their specific needs.

With the principle of “Quality Parts,Customers Priority,Honest Operation,and Considerate Service”,our business mainly focus on the distribution of electronic components. Line cards we deal with include Microchip,ALPS,ROHM,Xilinx,Pulse,ON,Everlight and Freescale. Main products comprise IC,Modules,Potentiometer,IC Socket,Relay,Connector.Our parts cover such applications as commercial,industrial, and automotives areas.

We are looking forward to setting up business relationship with you and hope to provide you with the best service and solution. Let us make a better world for our industry!



Contact us

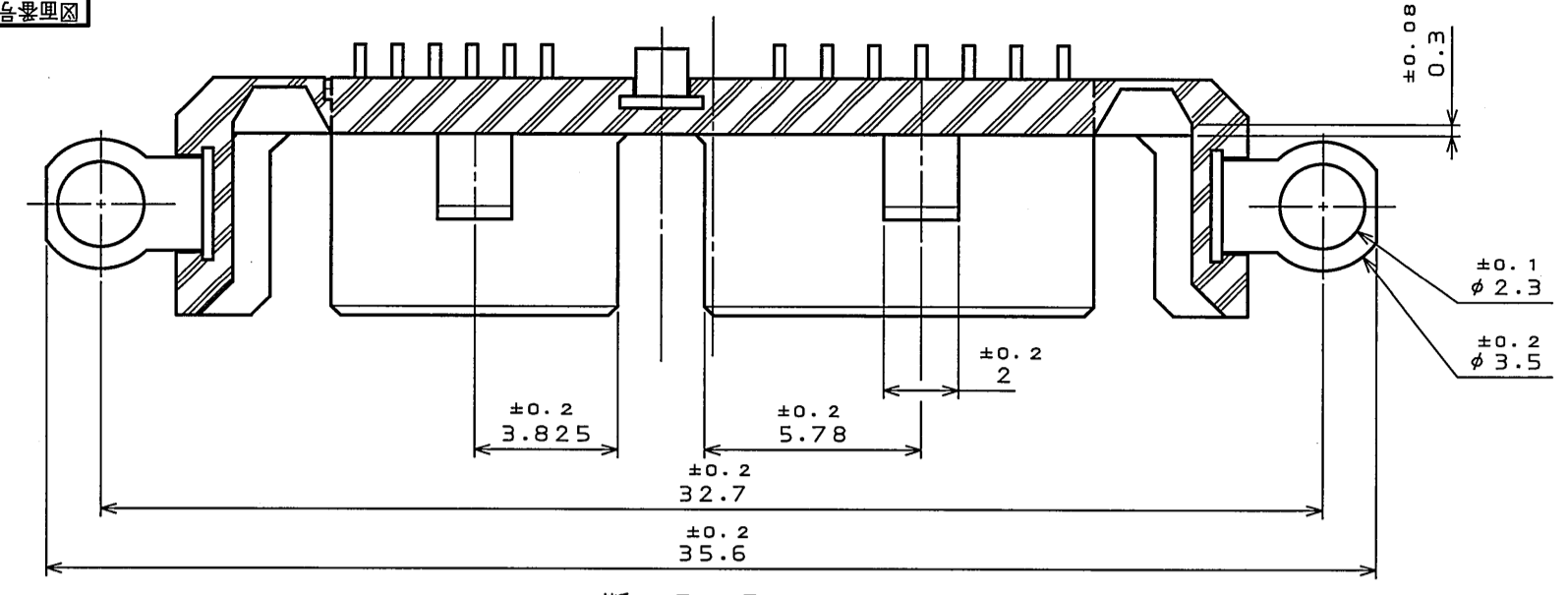
Tel: +86-755-8981 8866 Fax: +86-755-8427 6832

Email & Skype: info@chipsmall.com Web: www.chipsmall.com

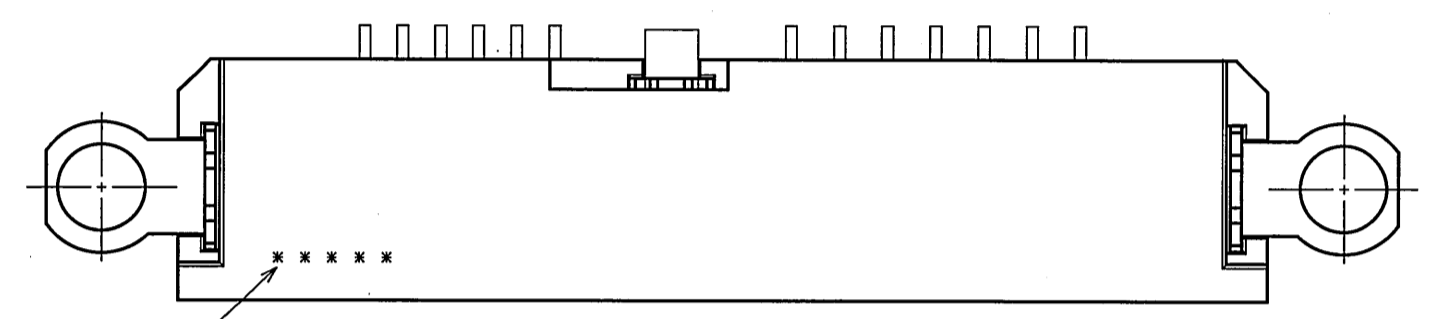
Address: A1208, Overseas Decoration Building, #122 Zhenhua RD., Futian, Shenzhen, China



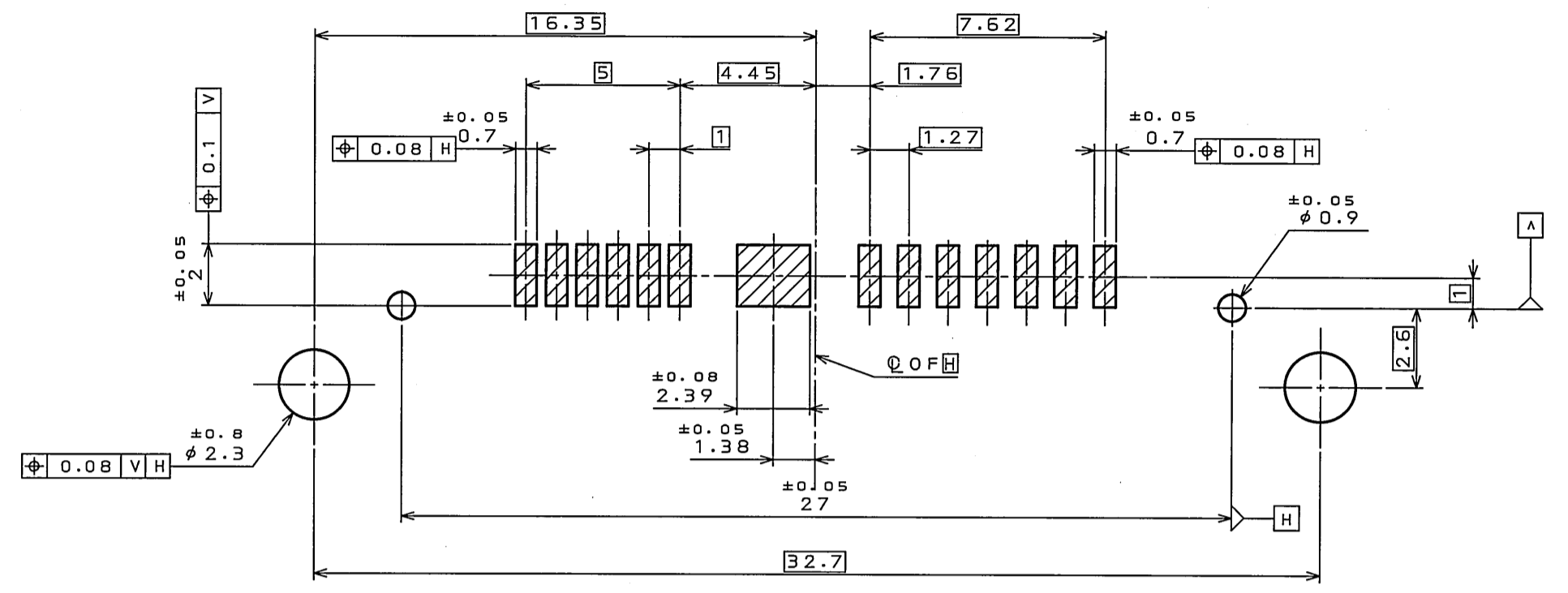
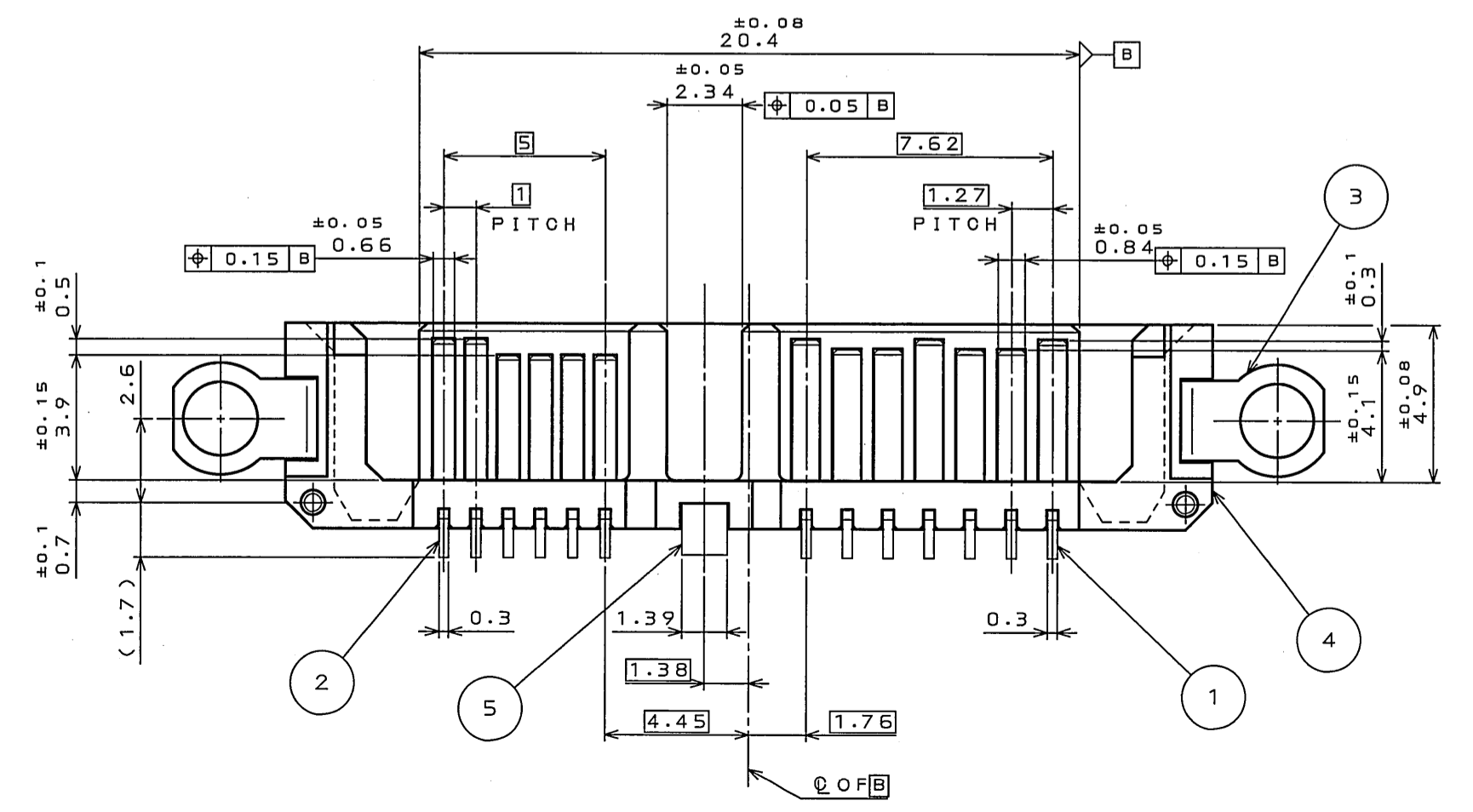
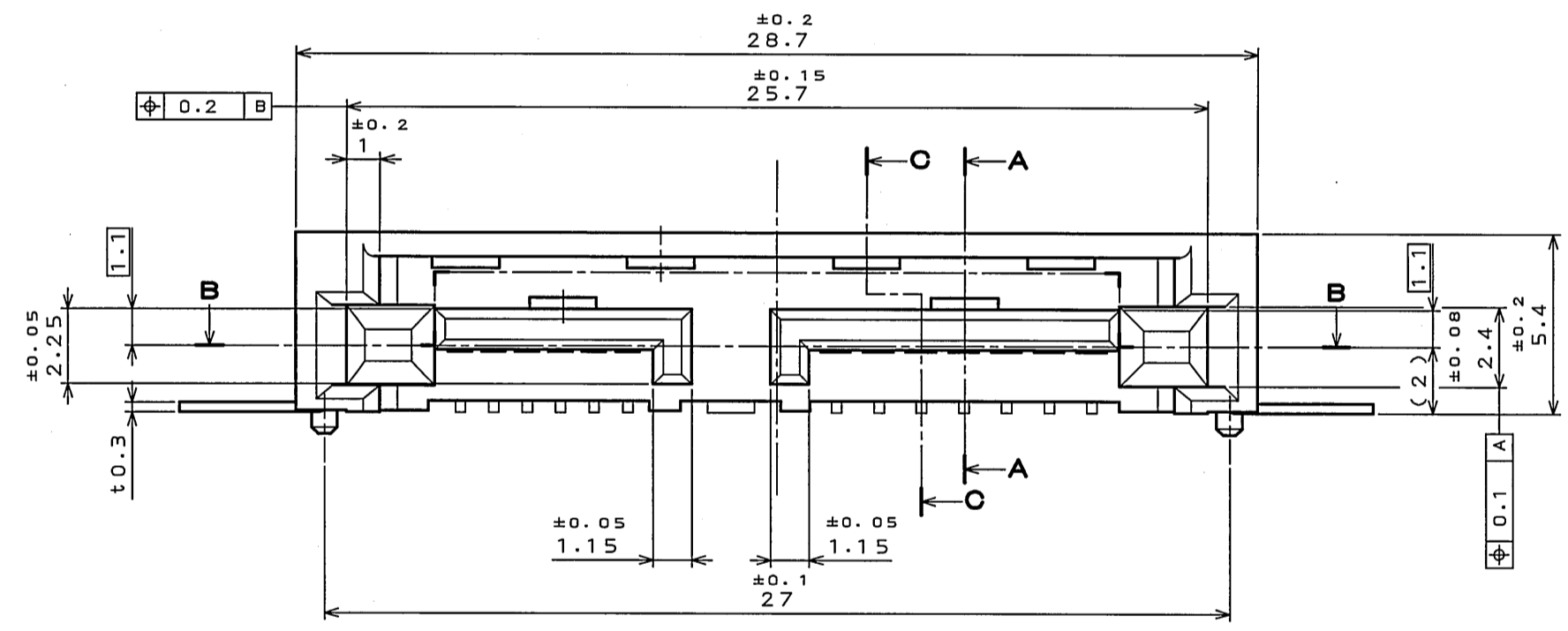
版数 REV.	年月日 DATE	図番 DON NO.	変更内容 DESCRIPTION	製図 DR.	担当 CHK.	査閲 APPD.	承認 APPD.
2	12.08.2007	064299	ADDED ITEMS		T.MORITAKE		Y.YAHIRO



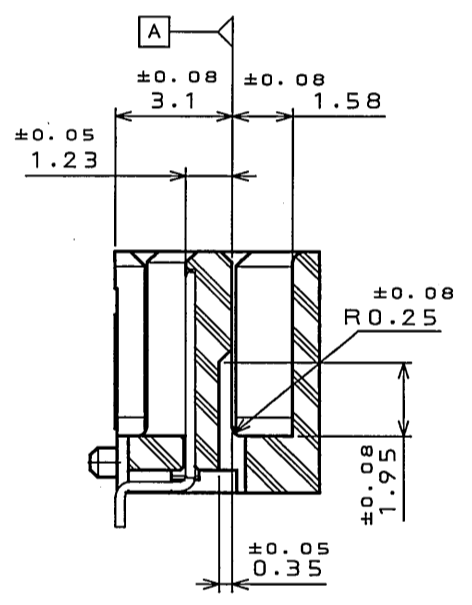
断面B-B
(尺度 5:1)



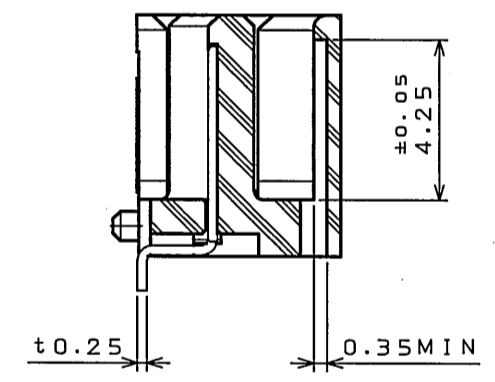
NOTE1



APPLICABLE P.C.B. DIMENSION (REF.)
適合基板寸法 (参考)



SECT. A-A
(SCALE 5:1)



SECT. C-C
(SCALE 5:1)

TABLE 1

品名 TITLE	ロット番号 LOT NO.	接触部仕上 CONTACT AREA	端子部仕上 TERMINAL AREA
PM2B013HP1	*****P	AU 0.1μm MIN OVER NI	TIN PLATING
PM2B013HQ1	*****Q	AU 0.3μm MIN OVER NI	TIN PLATING
PM2B013HS1	*****S	AU 0.76μm MIN OVER NI	TIN PLATING

NOTE1.PRODUCTION LOT NUMBER AS INDICATED.
(EX.)
072110
PLATING: TABLE 1 Δ
DAY OF WEEK (SUNDAY: 1)
WEEK (YEAR OF WEEK: 01 ~ **)
YEAR (END TWO YARDS)

Δ 2.COPLANARITY: 0.1 MAX.

符号 NO.	名称 DESCRIPTION	個数 QTY.	材料 MATERIAL	仕上 FINISH	備考 REMARKS
5	HOLD DOWN3	1	COPPER ALLOY	TIN OVER NICKEL	
4	INSULATOR	1	GLASS FILLED LCP		UL94V-0 COLOR: BLACK
3	HOLD DOWN1	2	COPPER ALLOY	TIN OVER NICKEL	
2	CONTACT2	6	COPPER ALLOY	TABLE 1 Δ	
1	CONTACT1	7	COPPER ALLOY	TABLE 1 Δ	

仕様書 (SPECIFICATION)		第1版 (ORIGINAL DATE)	7.Jun.2007	尺度 (SCALE)	5:1	シリーズ (SERIES)	PM2	日本航空電子工業株式会社 JAE CONNECTOR DIV. ELECTRONICS INDUSTRY, LTD. 図面番号 (DRAWING NO.) SJ107770
製図 DR.		Y.F.LIN		名称 (TITLE)		PM2B013H * 1		
公差 (GENERAL TOLERANCE)		担当 CHK.		製図 APPD.		承認 APPD.		
寸法 (DIMENSION)		角度 (ANGLES)		承認 APPD.		Y.YAHIRO		質量 (MASS)
· ±0.8	X° ±							数量 (REV.)
· X ±0.4	X'X' ±							2
· XX ±0.1								
· XXX ±								