



Chipsmall Limited consists of a professional team with an average of over 10 year of expertise in the distribution of electronic components. Based in Hongkong, we have already established firm and mutual-benefit business relationships with customers from,Europe,America and south Asia,supplying obsolete and hard-to-find components to meet their specific needs.

With the principle of "Quality Parts,Customers Priority,Honest Operation,and Considerate Service",our business mainly focus on the distribution of electronic components. Line cards we deal with include Microchip,ALPS,ROHM,Xilinx,Pulse,ON,Everlight and Freescale. Main products comprise IC,Modules,Potentiometer,IC Socket,Relay,Connector.Our parts cover such applications as commercial,industrial, and automotives areas.

We are looking forward to setting up business relationship with you and hope to provide you with the best service and solution. Let us make a better world for our industry!



Contact us

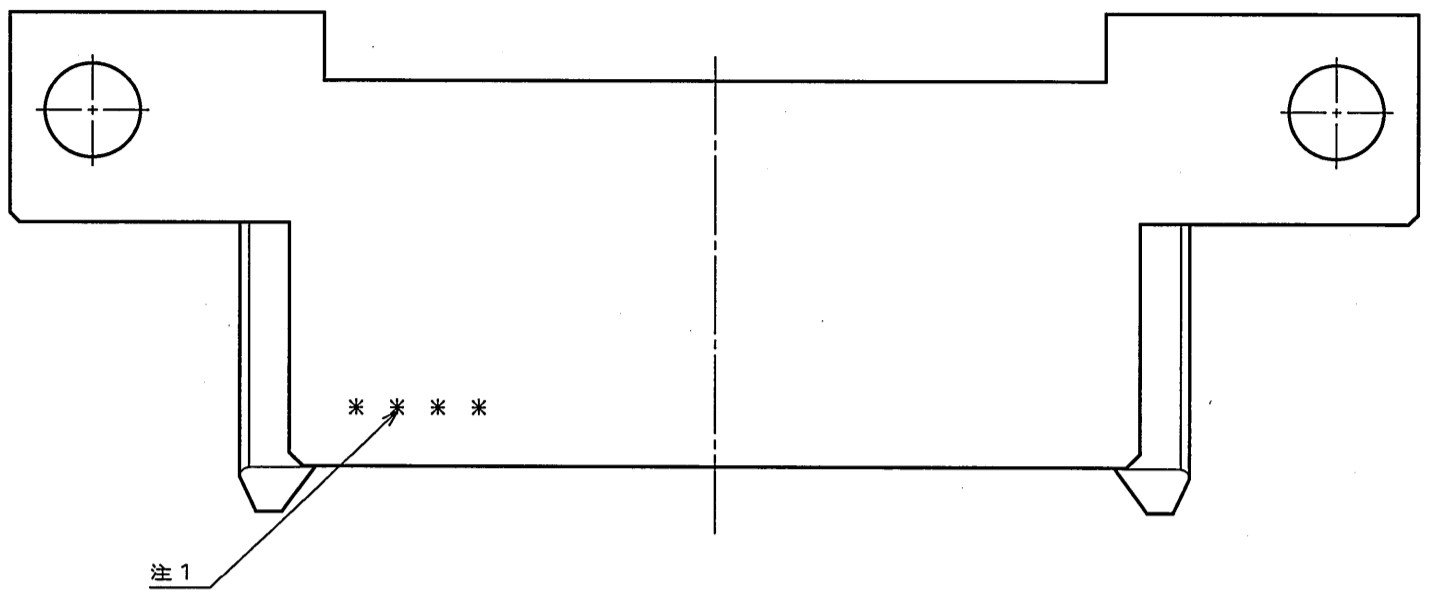
Tel: +86-755-8981 8866 Fax: +86-755-8427 6832

Email & Skype: info@chipsmall.com Web: www.chipsmall.com

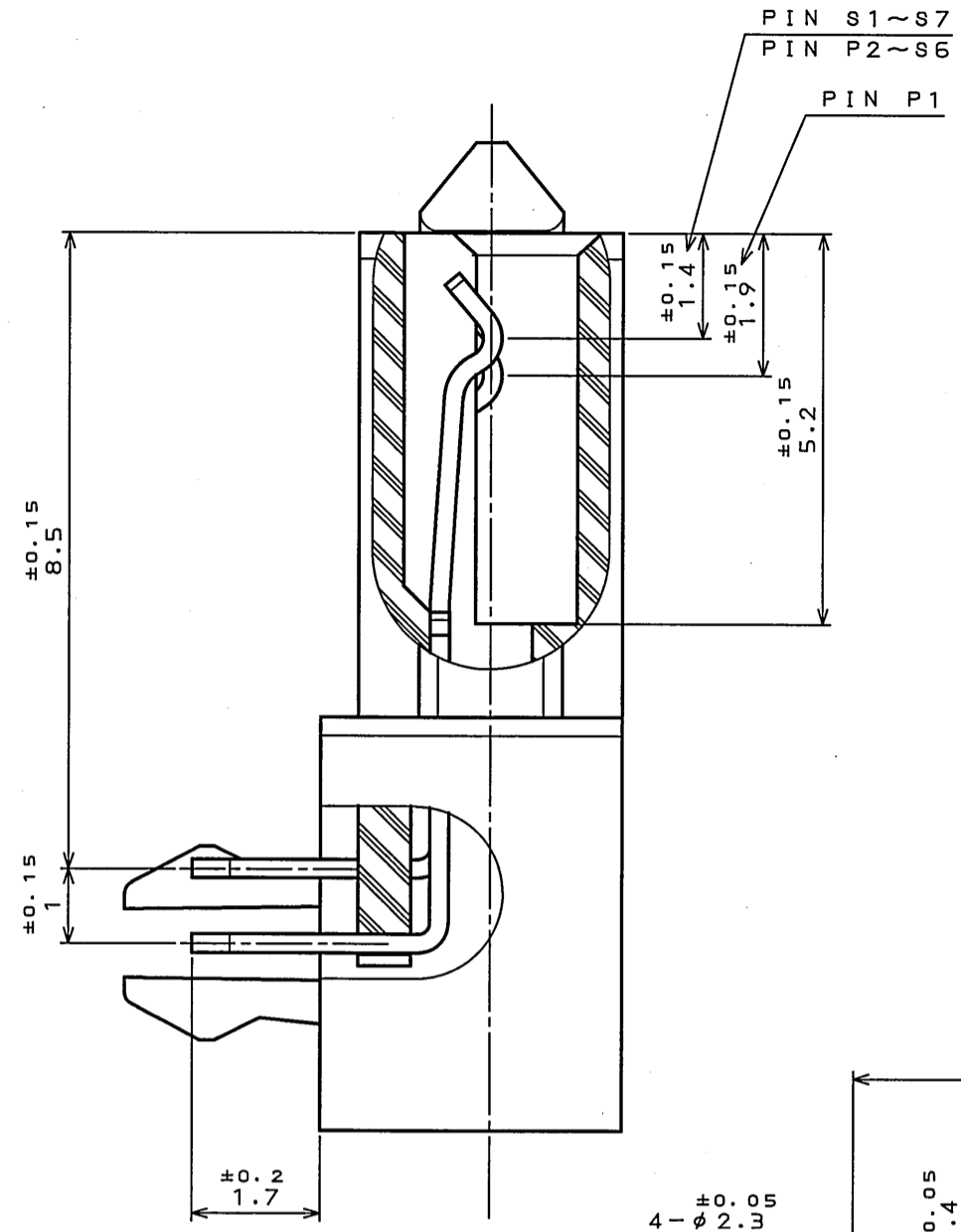
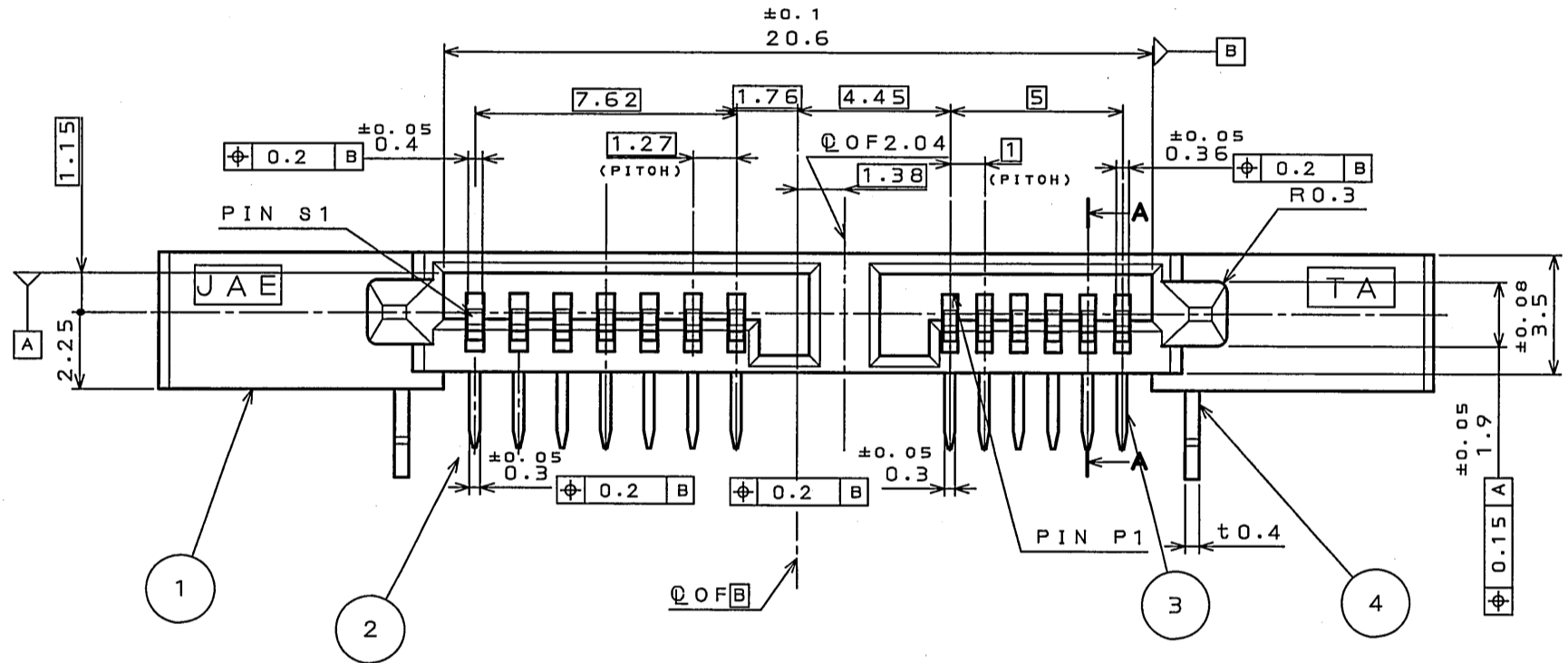
Address: A1208, Overseas Decoration Building, #122 Zhenhua RD., Futian, Shenzhen, China



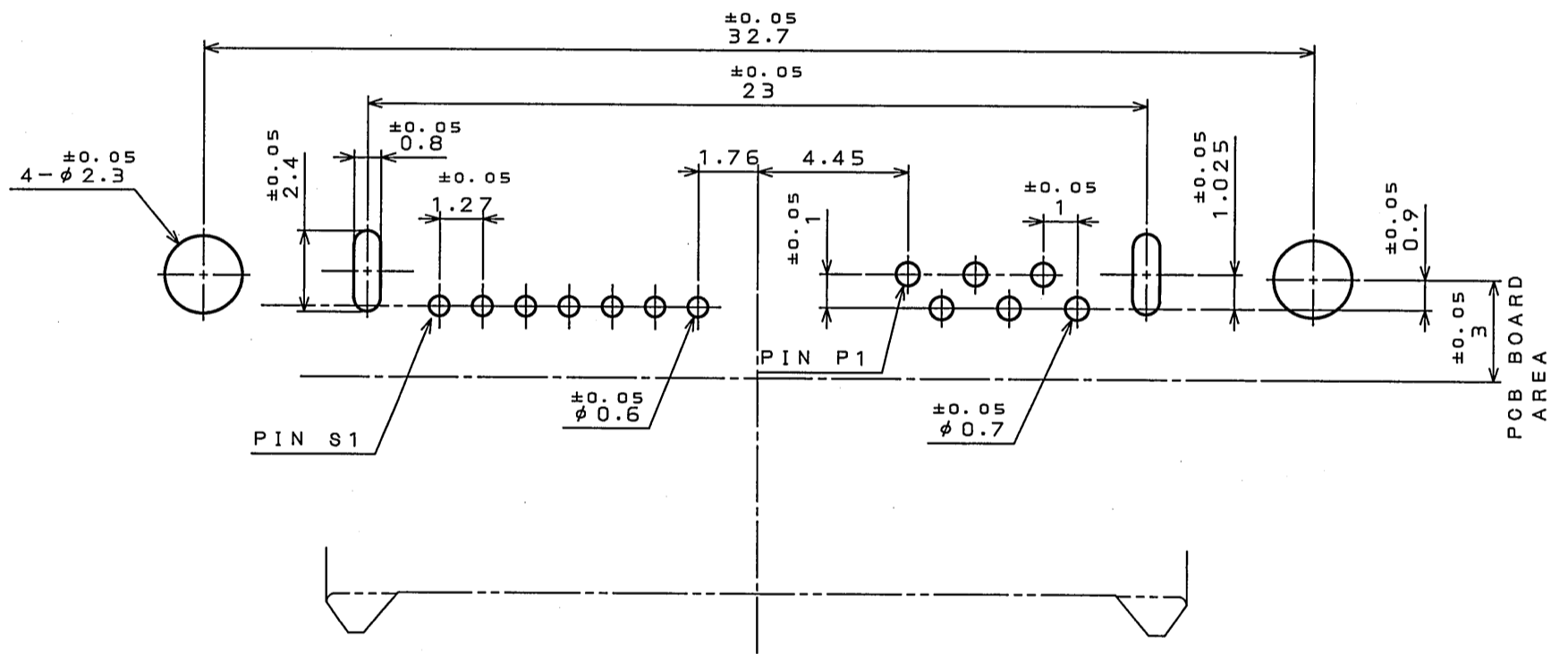
版数 REV.	年月日 DATE	DCN NO.	変更内容 DESCRIPTION	製図 DR.	担当 CHK.	査閲 APPD.	承認 APPD.
2	9.0oct.2008	066761	CORRECTED AN ERROR.	H.KOIZUMI	H.KOIZUMI	m. kimura	M. Koizumi



注1



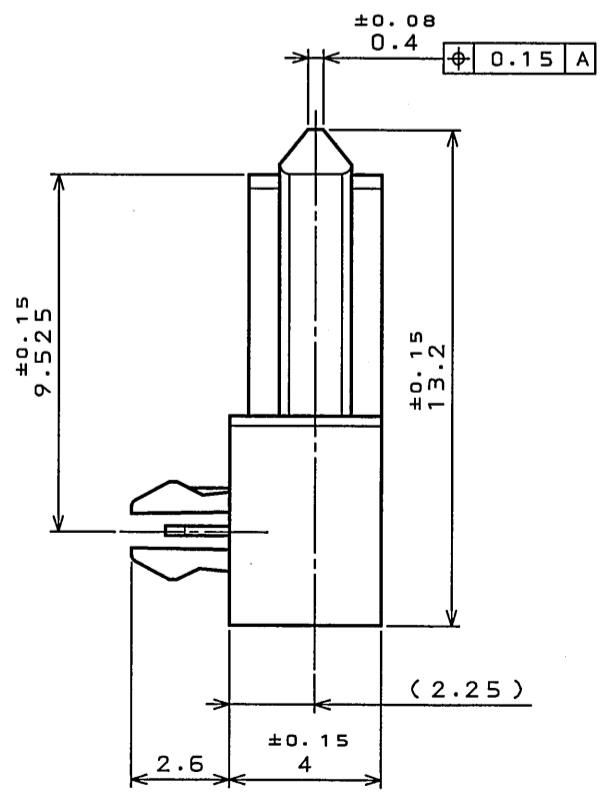
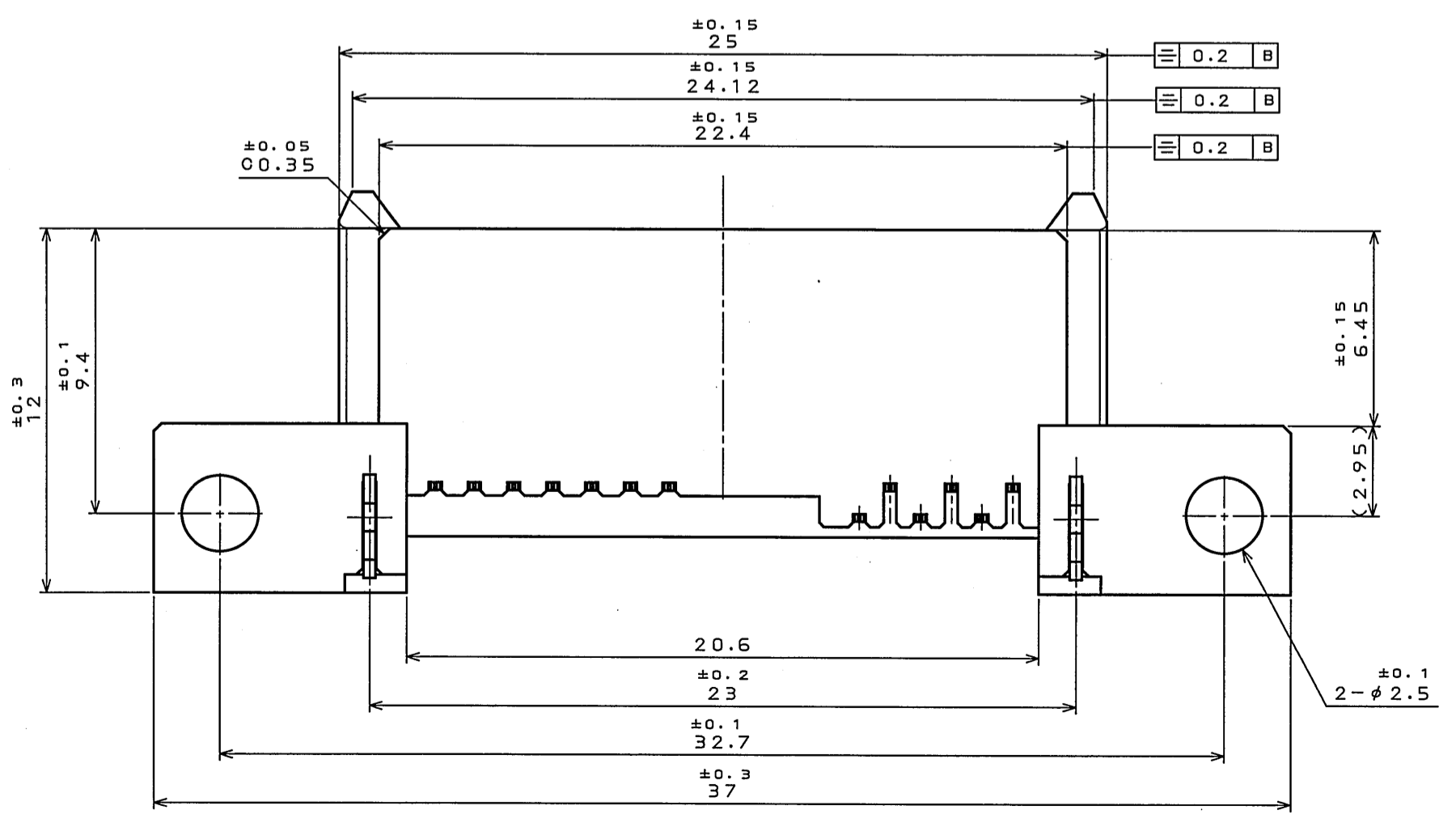
SECT. A-A
(SCALE 10:1)



APPLICABLE P.C.B. DIMENSION (REF.)
適合基板寸法(参考) 基板厚 t1.2mm

NOTE1. PRODUCTION LOT NUMBER AS INDICATED.

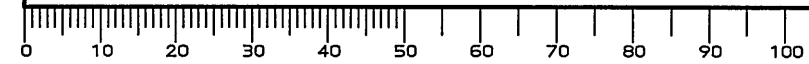
(EX.)
07211
DAY OF WEEK (SUNDAY: 1)
WEEK (YEAR OF WEEK: 01~**)
YEAR (END TWO NUMBERS)



符号 NO.	名 DESCRIPTION	個 QTY.	材 MATERIAL	仕 FINISH	備 REMARKS
4	HOOK PIN	2	COPPER ALLOY	TIN OVER NICKEL	
3	CONTACT2	6	COPPER ALLOY	TERMINAL: TIN PLATING CONTACT AREA: AU 0.3μm MIN OVER NI	
2	CONTACT1	7	COPPER ALLOY	TERMINAL: TIN PLATING CONTACT AREA: AU 0.3μm MIN OVER NI	
1	INSULATOR	1	GLASS FILLED LCP		UL94V-0 COLOR: BALOK

仕 仕様書 (SPECIFICATION)	第1版 (ORIGINAL DATE) 3.0oct.2007	尺 度 (SCALE) 5:1	列 列 (SERIES) PM2	製 製図 (DRAWING NO.) SJ108052	版 版数 (REV.) 2
一 般公差 (GENERAL TOLERANCE)	製 製図 (DRAWING NO.) Y.F.LIN	名 称 (TITLE) PM2R013NQ1		日 日本航空電子工業株式会社 JAE ELECTRONICS INDUSTRY, LTD.	
寸 寸法 (DIMENSION)	担 担当 (CHK.) T.MORITAKE			図 図面番号 (DRAWING NO.)	
角 角度 (ANGLES)	査 査閲 (APPD.) Y.YAHIRO			版 版数 (REV.)	
. ±0.8				S 質量 (MASS)	
.X ±0.4				JAE CONNECTOR DIV. PROPRIETARY. COPYRIGHT (C) 2007, JAPAN AVIATION ELECTRONICS INDUSTRY, LTD.	
.XX ±0.1					
.XXX ±					

DOF-0-213F(05.08)



SIZE A2