



Chipsmall Limited consists of a professional team with an average of over 10 year of expertise in the distribution of electronic components. Based in Hongkong, we have already established firm and mutual-benefit business relationships with customers from,Europe,America and south Asia,supplying obsolete and hard-to-find components to meet their specific needs.

With the principle of “Quality Parts,Customers Priority,Honest Operation,and Considerate Service”,our business mainly focus on the distribution of electronic components. Line cards we deal with include Microchip,ALPS,ROHM,Xilinx,Pulse,ON,Everlight and Freescale. Main products comprise IC,Modules,Potentiometer,IC Socket,Relay,Connector.Our parts cover such applications as commercial,industrial, and automotives areas.

We are looking forward to setting up business relationship with you and hope to provide you with the best service and solution. Let us make a better world for our industry!



## Contact us

Tel: +86-755-8981 8866 Fax: +86-755-8427 6832

Email & Skype: info@chipsmall.com Web: www.chipsmall.com

Address: A1208, Overseas Decoration Building, #122 Zhenhua RD., Futian, Shenzhen, China





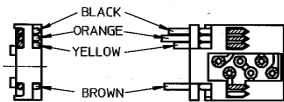
## Standard PM Step Motors

# PM35S-048-HHC6

Step Angle: 7.5°

### Model Specifications

Model:	PM35S-048-HHC6
Shaft Length:	10mm
Wire Length:	300mm fly lead (no connector)
Wire Holder:	90 deg. Left
Front Plate:	FPH
Electrical:	24V, 600mA
	Bipolar Constant Current
	5.5 ohms, MS70M



WIRE COLOR CODE

WIRE COLOR	MOTOR
BLACK	A1
BROWN	A3
ORANGE	B1
YELLOW	B3

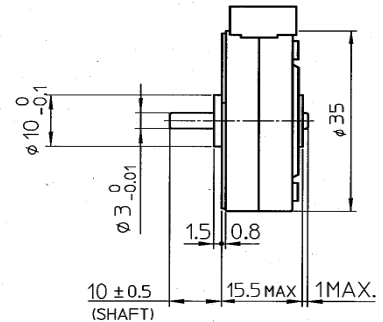
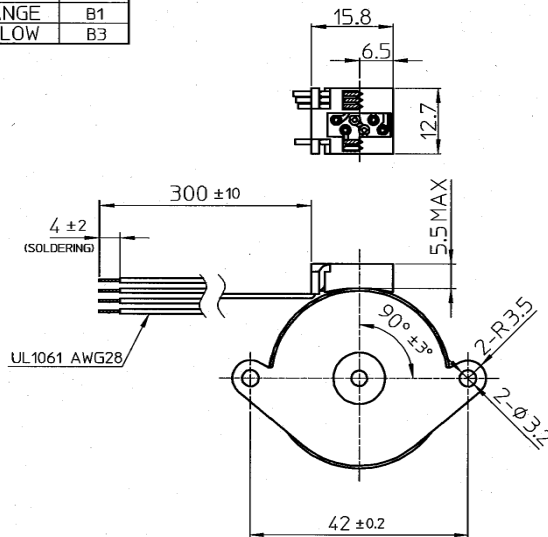
### MARKING

NMB-MAT PM35S-048-HHC6
JAPAN H9806
<JAPAN>

NMB-MAT PM35S-048-HHC6
THAILAND TA9806
<THAILAND>

STEP	BLACK	ORANGE	BROWN	YELLOW
1	-	+	+	-
2	-	-	+	+
3	+	-	-	+
4	+	+	-	-

SWITCHING SEQUENCE  
(VIEWED FROM MOUNTING SURFACE)





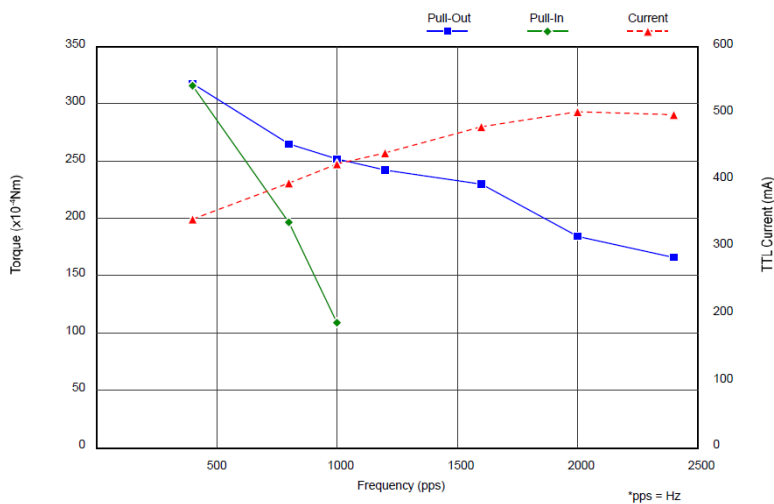
# Standard PM Step Motors

## PM35S-048-HHC6

### DYNAMIC TORQUE CHARACTERISTICS (No. 62788)

(ALL VALUES ARE GAINED BY MEASUREMENT AND NOT SPECIFICATIONS VALUES)

Model : PM35S-048-HHC6  
 Drive Mode : BIPOLAR CHOPPER  
 Drive Voltage : 24.0 V  
 Method : 2-2P  
 Drive IC : UDN2917EB  
 Surge/Current : / 600 mA / Phase (Peak)  
 Coil Resistance : 5.5 Ω  
 Magnet Material : MS70M  
 Stator Material : SECC



(TTL Current = Over all current drawn by the driver)

Frequency (pps)	400	800	1000	1200	1600	2000	2400
■ Pull-Out (x10 <sup>-4</sup> Nm)	316.8	264.8	252.0	242.2	229.5	184.4	165.7
◆ Pull-In (x10 <sup>-4</sup> Nm)	315.8	196.1	108.9				
▲ Current (mA)	342	395	424	440	479	502	498

Minebea Motor Manufacturing Corporation