



Chipsmall Limited consists of a professional team with an average of over 10 year of expertise in the distribution of electronic components. Based in Hongkong, we have already established firm and mutual-benefit business relationships with customers from,Europe,America and south Asia,supplying obsolete and hard-to-find components to meet their specific needs.

With the principle of “Quality Parts,Customers Priority,Honest Operation,and Considerate Service”,our business mainly focus on the distribution of electronic components. Line cards we deal with include Microchip,ALPS,ROHM,Xilinx,Pulse,ON,Everlight and Freescale. Main products comprise IC,Modules,Potentiometer,IC Socket,Relay,Connector.Our parts cover such applications as commercial,industrial, and automotives areas.

We are looking forward to setting up business relationship with you and hope to provide you with the best service and solution. Let us make a better world for our industry!



Contact us

Tel: +86-755-8981 8866 Fax: +86-755-8427 6832

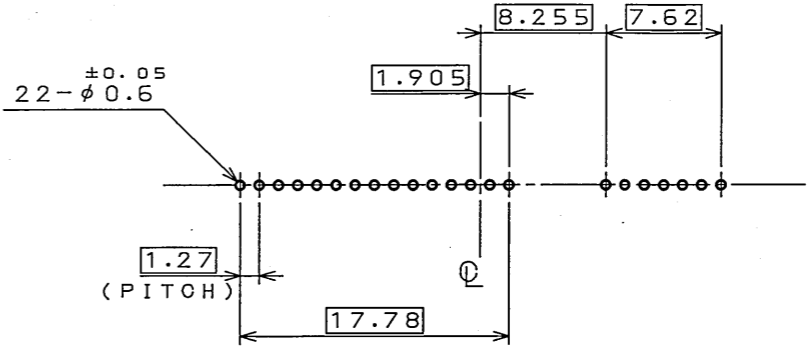
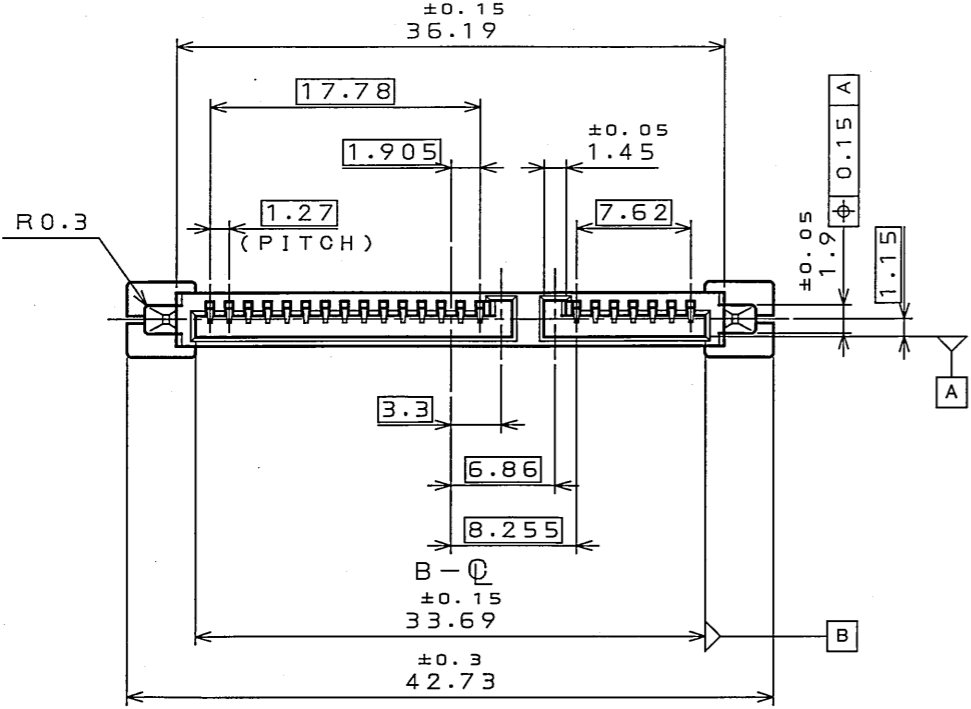
Email & Skype: info@chipsmall.com Web: www.chipsmall.com

Address: A1208, Overseas Decoration Building, #122 Zhenhua RD., Futian, Shenzhen, China

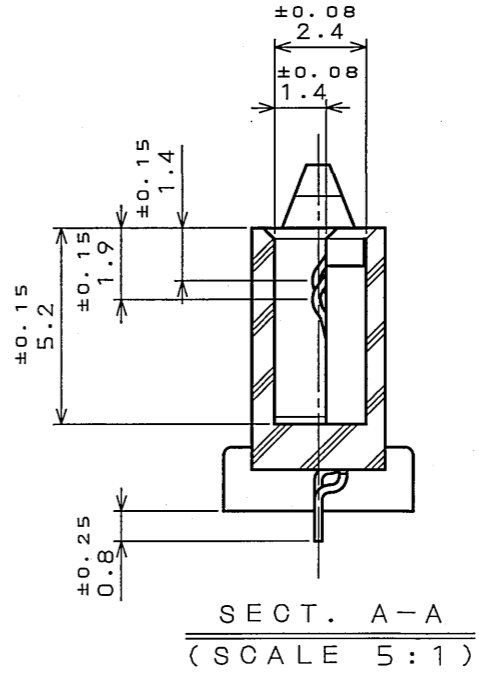
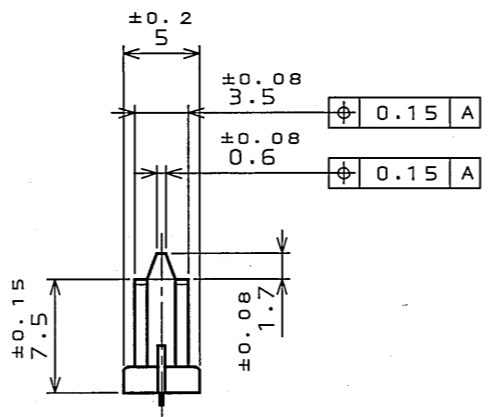
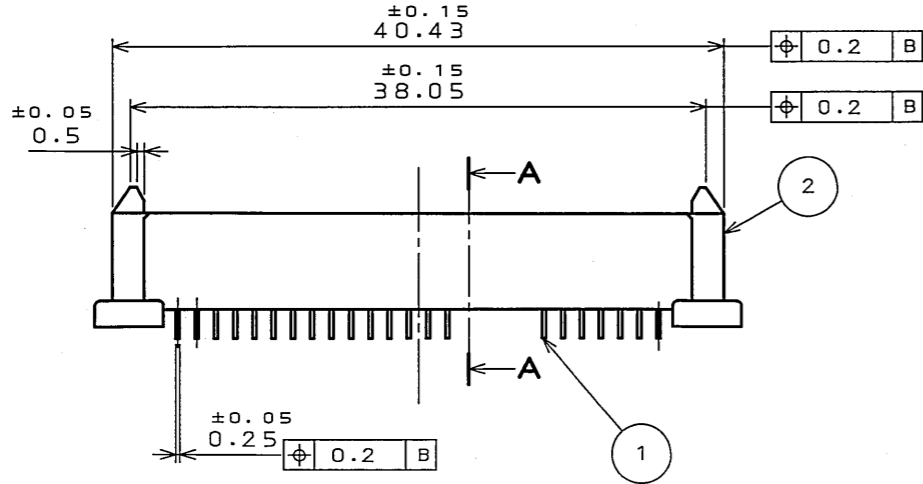


60E4309
(DRAWING NO.)

版数 REV.	年月日 DATE	DCN NO.	変更内容 DESCRIPTION	製図 DR.	担当 CHK.	査閲 APPD.	承認 APPD.

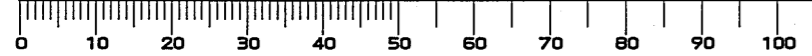


APPLICABLE P.C.B. DIMENSION (REF.)
適合基板寸法 (参考)



2	INSULATOR	1	GLASS FILLED LCP	UL94V-0 COLOR: BLACK
1	CONTACT	22	COPPER ALLOY	CONTACT AREA: GOLD(0.3μm MIN.) OVER NICKEL
符号 NO.	名称 DESCRIPTION	個数 QTY.	材料 MATERIAL	仕上 FINISH
仕様書 (SPECIFICATION)		第1版 (ORIGINAL DATE) 28.Jun.2005		尺度 (SCALE) 2:1
一般公差 (GENERAL TOLERANCE)		製図 DR.		シリーズ (SERIES) PM3
寸法 (DIMENSION)		担当 CHK. T.MORITAKE		名称 (TITLE) PM3R022UQ1
角度 (ANGLES)		査閲 APPD. Y.YAHIRO		
. ±0.8		承認 APPD. K.Hisatomi		
.X ±0.4		質量 (MASS)		日本航空電子工業株式会社 JAPAN AVIATION ELECTRONICS INDUSTRY, LTD.
.XX ±0.1		図面番号 (DRAWING NO.) SJ104309		
.XXX ±		版数 (REV.) 1		

DOF-0-212E(03.08)



LEAD FREE この製品は鉛フリー品です

JAE CONNECTOR DIV. PROPRIETARY.
COPYRIGHT (C) 2005, JAPAN AVIATION ELECTRONICS INDUSTRY, LTD.