



Chipsmall Limited consists of a professional team with an average of over 10 year of expertise in the distribution of electronic components. Based in Hongkong, we have already established firm and mutual-benefit business relationships with customers from,Europe,America and south Asia,supplying obsolete and hard-to-find components to meet their specific needs.

With the principle of "Quality Parts,Customers Priority,Honest Operation,and Considerate Service",our business mainly focus on the distribution of electronic components. Line cards we deal with include Microchip,ALPS,ROHM,Xilinx,Pulse,ON,Everlight and Freescale. Main products comprise IC,Modules,Potentiometer,IC Socket,Relay,Connector.Our parts cover such applications as commercial,industrial, and automotives areas.

We are looking forward to setting up business relationship with you and hope to provide you with the best service and solution. Let us make a better world for our industry!



Contact us

Tel: +86-755-8981 8866 Fax: +86-755-8427 6832

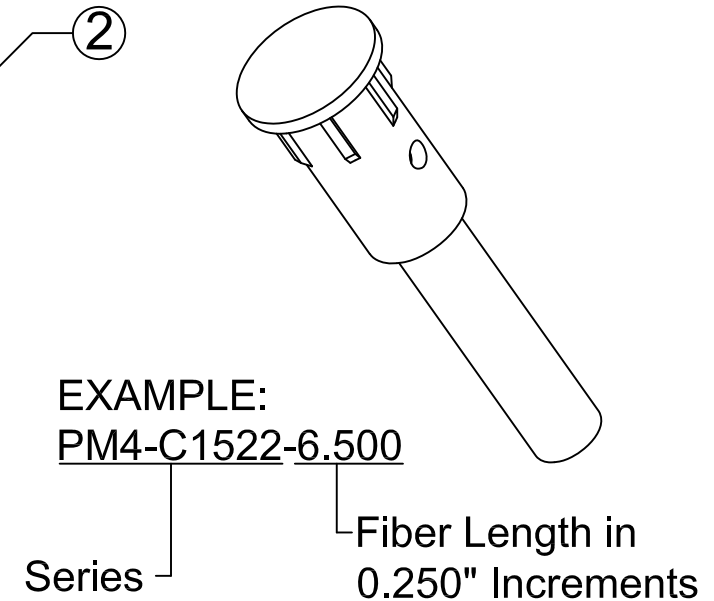
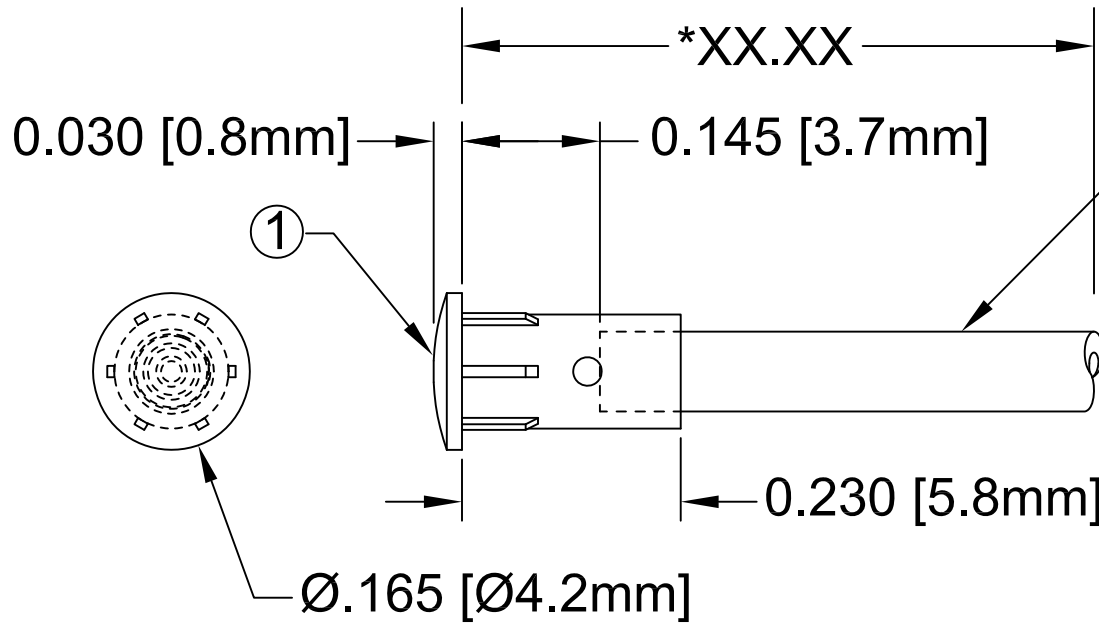
Email & Skype: info@chipsmall.com Web: www.chipsmall.com

Address: A1208, Overseas Decoration Building, #122 Zhenhua RD., Futian, Shenzhen, China

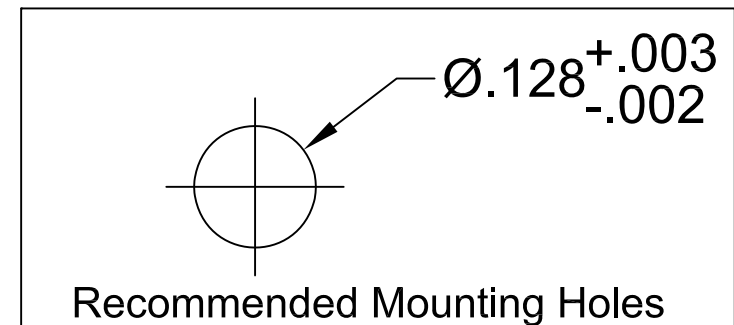


ITEM	Q'TY	PART NUMBER	PART DESCRIPTION
1	1	FLP-LC	HOLDER CAP, FLEXIBLE LIGHT-PIPE
2	1	FLPS1522-X.XXX	1.5mm LIGHT PIPE CABLE, CUT LENGTH IN INCHES



REV.	DESCRIPTION	DATE	APPROVED
A	Engineering Release	04/20/12	T. Y.
B	Updated Fiber IN BOM	12/12/12	T. Y.



*Length "XX.XX"	Tolerance
0.750" ~ 16.000"	±0.050"
16.250" ~ 40.000"	±0.150"
40.250" ~ 80.000"	±0.300"
80.250" ~ 500.0"	±0.5%



*NOTE:
AVAILABLE CUT LENGTH IS UP TO 3 DECIMAL PLACES

STANDARD TOLERANCE (UNLESS OTHERWISE SPECIFIED)		 BIVAR [®] 4 THOMAS, IRVINE, CA. 92618 TEL: (949) 951-8808 FAX: (949) 951-3974	
DECIMALS	ANGULAR		
.X ±.1	X° ± 1°	 TITLE: 4mm Circular Lens Flexible Light Pipe FLPS1522 Indicators	
.XX ±.02			
.XXX ±.010			
DESIGNED: Ty Yin	DATE: 04/20/12	PART NO: PM4-C1522-XX.XX	REVISION: B
CHECKED: B. Oliver	DATE: 04/20/12	CAGE CODE : 32559	SHEET # 1 OF 1
CAD GENERATED DOCUMENT, DO NOT MEASURE DRAWING.			