



Chipsmall Limited consists of a professional team with an average of over 10 year of expertise in the distribution of electronic components. Based in Hongkong, we have already established firm and mutual-benefit business relationships with customers from,Europe,America and south Asia,supplying obsolete and hard-to-find components to meet their specific needs.

With the principle of “Quality Parts,Customers Priority,Honest Operation,and Considerate Service”,our business mainly focus on the distribution of electronic components. Line cards we deal with include Microchip,ALPS,ROHM,Xilinx,Pulse,ON,Everlight and Freescale. Main products comprise IC,Modules,Potentiometer,IC Socket,Relay,Connector.Our parts cover such applications as commercial,industrial, and automotives areas.

We are looking forward to setting up business relationship with you and hope to provide you with the best service and solution. Let us make a better world for our industry!



Contact us

Tel: +86-755-8981 8866 Fax: +86-755-8427 6832

Email & Skype: info@chipsmall.com Web: www.chipsmall.com

Address: A1208, Overseas Decoration Building, #122 Zhenhua RD., Futian, Shenzhen, China



SMT Power Inductors

Special Features

- High current capacity
- Ferrite bobbin core
- Low core loss for high frequency power application
- Low profile
- Compact size
- Large terminal surface for good PCB bonding
- Operating temperature -40 to +100°C
- Tape & reel packaged 1500/reel

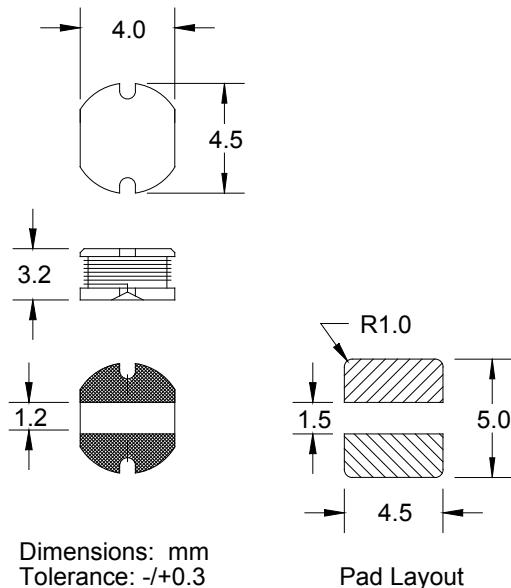
Notes

* Current to cause maximum 10% of inductance drop or 40°C temperature rise

** Crosses to the following Bourns Series
@ www.Bourns.com
PM43 link to Bourns [SDR0403](#)

PM43 Series					
Part Number	L (μH) ±20%	Test Freq. (MHz)	SRF (MHz) Typ.	DCR Ω Max.	I, DC* (A)
PM43-1R0M	1.0	7.96	113	0.049	2.56
PM43-1R4M	1.4	7.96	101	0.057	2.52
PM43-1R8M	1.8	7.96	92	0.064	1.95
PM43-2R2M	2.2	7.96	76	0.072	1.75
PM43-2R7M	2.7	7.96	66	0.079	1.58
PM43-3R3M	3.3	7.96	63	0.087	1.44
PM43-3R9M	3.9	7.96	53	0.094	1.33
PM43-4R7M	4.7	7.96	49	0.109	1.15
PM43-5R6M	5.6	7.96	43	0.126	0.99
PM43-6R8M	6.8	7.96	41	0.132	0.95
PM43-8R2M	8.2	7.96	35	0.147	0.84
PM43-100M	10	2.52	35	0.182	1.04
PM43-120M	12	2.52	32	0.210	0.97
PM43-150M	15	2.52	29	0.235	0.85
PM43-180M	18	2.52	27	0.338	0.74
PM43-220M	22	2.52	24	0.378	0.68
PM43-270M	27	2.52	21	0.522	0.62
	±10%				
PM43-330K	33	2.52	19	0.540	0.56
PM43-390K	39	2.52	18	0.587	0.52
PM43-470K	47	2.52	15	0.844	0.44
PM43-560K	56	2.52	14	0.937	0.42
PM43-680K	68	2.52	13	1.117	0.37

Also available as RoHS compliant.



J.W. Miller
MAGNETICS

306 E. Alondra Blvd. Gardena, CA 90247-1059 • Phone (310) 515-1720 • FAX (310) 515-1962