



Chipsmall Limited consists of a professional team with an average of over 10 year of expertise in the distribution of electronic components. Based in Hongkong, we have already established firm and mutual-benefit business relationships with customers from,Europe,America and south Asia,supplying obsolete and hard-to-find components to meet their specific needs.

With the principle of “Quality Parts,Customers Priority,Honest Operation,and Considerate Service”,our business mainly focus on the distribution of electronic components. Line cards we deal with include Microchip,ALPS,ROHM,Xilinx,Pulse,ON,Everlight and Freescale. Main products comprise IC,Modules,Potentiometer,IC Socket,Relay,Connector.Our parts cover such applications as commercial,industrial, and automotives areas.

We are looking forward to setting up business relationship with you and hope to provide you with the best service and solution. Let us make a better world for our industry!



## Contact us

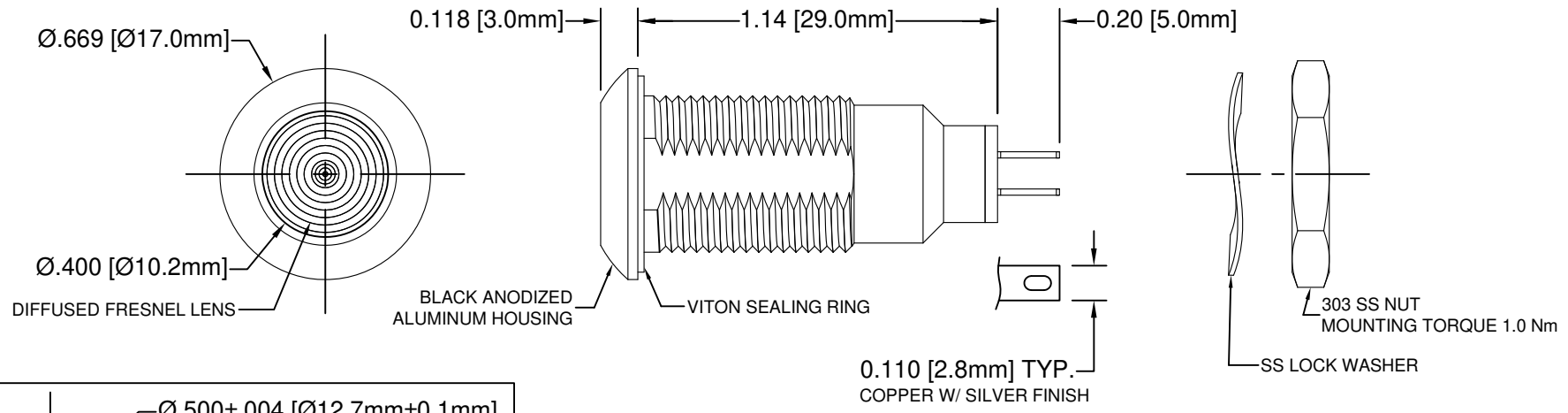
Tel: +86-755-8981 8866 Fax: +86-755-8427 6832

Email & Skype: info@chipsmall.com Web: www.chipsmall.com

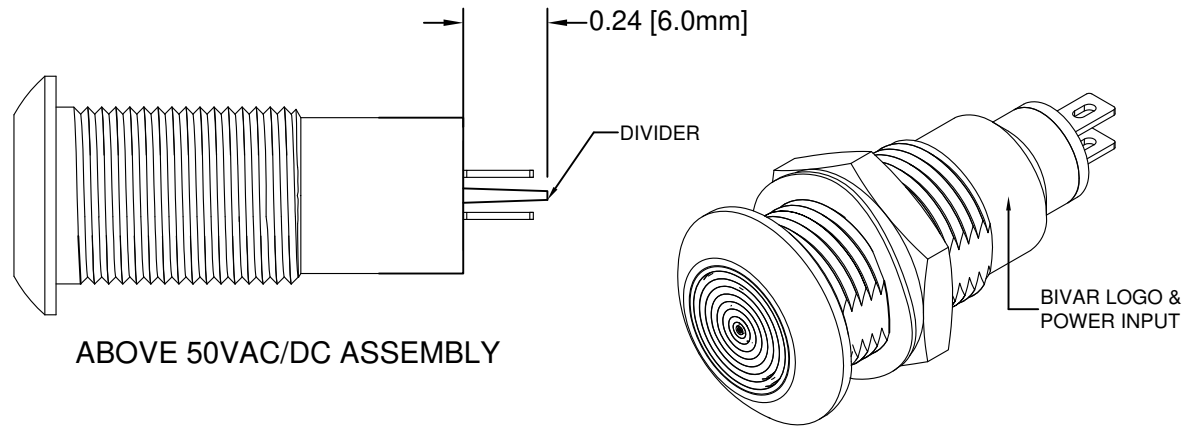
Address: A1208, Overseas Decoration Building, #122 Zhenhua RD., Futian, Shenzhen, China



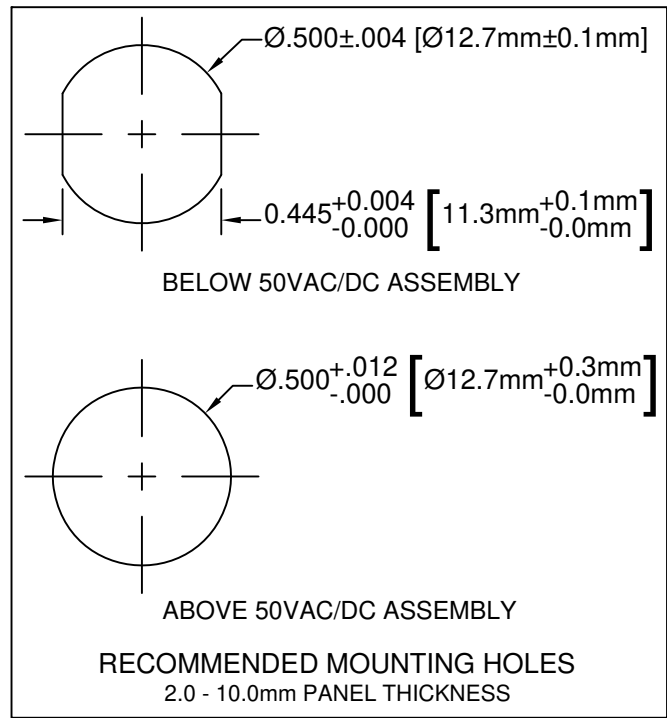
REV.	DESCRIPTION	DATE	APPROVED
B	Engineering Release	07/28/11	T. Y.
C	Engineering Update w/o Changes	08/11/16	J. C.



BELOW 50VAC/DC ASSEMBLY



ABOVE 50VAC/DC ASSEMBLY



BELOW 50VAC/DC ASSEMBLY

ABOVE 50VAC/DC ASSEMBLY

RECOMMENDED MOUNTING HOLES  
2.0 - 10.0mm PANEL THICKNESS

NOTES:

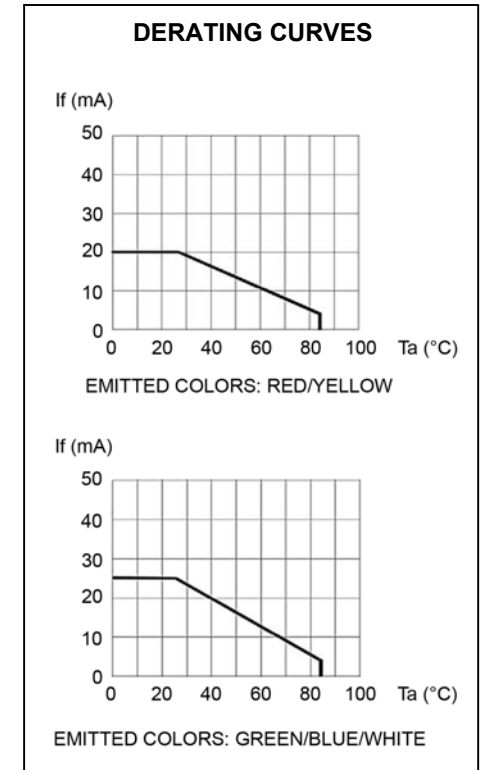
1. SEALED TO IP67 RATING
2. WIDE RANGE INPUT VOLTAGE
3. BI-POLAR OPERATION
4. ROHS COMPLIANT
5. MOUNTING HARDWARE SHIPPED NON-ASSEMBLED
6. INSERT VITON RING ON PANEL MOUNT ASSEMBLY PRIOR TO PANEL INSTALLATION

STANDARD TOLERANCE (UNLESS OTHERWISE SPECIFIED)		 4 THOMAS, IRVINE, CA. 92618 TEL: (949) 951-8808 FAX: (949) 951-3974	
DECIMALS	ANGULAR		
.X ±.1	X° ± 1°	 <b>TITLE: WATER TIGHT PANEL MOUNT LED ASSEMBLY, 12.7MM MOUNTING</b>	
.XX ±.02			
.XXX ±.010		<b>PART NO:</b> PM5-A17XXX	
DESIGNED: <b>R. Paje</b>	DATE: <b>02/23/11</b>	<b>REVISION:</b> C	
CHECKED: <b>T. Yin</b>	DATE: <b>02/23/11</b>	<b>CAGE CODE :</b> 32559 <b>SHEET #</b> 1 OF 2	
CAD GENERATED DOCUMENT. DO NOT MEASURE DRAWING.			

REV.	DESCRIPTION	DATE	APPROVED
	SEE SHEET #1		

Part Number	Peak Wave Length $\lambda_p$ (nm)	Emitted Color	Lens Appearance	Electro-Optical Data @ 20mA		Viewing Angle
				Vf (VDC/VAC)	Iv (mcd)	
				TYP	TYP	
PM5-A17R28V	630	RED	RED DIFFUSED	12-28 VAC/VDC	600	120
PM5-A17Y28V	585	YELLOW	YELLOW DIFFUSED	12-28 VAC/VDC	600	120
PM5-A17G28V	515	GREEN	GREEN DIFFUSED	12-28 VAC/VDC	800	120
PM5-A17B28V	465	BLUE	BLUE DIFFUSED	12-28 VAC/VDC	400	120
PM5-A17R110AC	630	RED	RED DIFFUSED	110 VAC	600	120
PM5-A17Y110AC	585	YELLOW	YELLOW DIFFUSED	110 VAC	600	120
PM5-A17G110AC	515	GREEN	GREEN DIFFUSED	110 VAC	800	120
PM5-A17B110AC	465	BLUE	BLUE DIFFUSED	110 VAC	400	120

Part Number	Chromaticity Coordinates	Emitted Color	Lens Appearance	Electro-Optical Data @ 20mA		Viewing Angle
				Vf (VDC/VAC)	Iv (mcd)	
				TYP	TYP	
PM5-A17W28V	X=0.31, Y=0.32	WHITE	WHITE DIFFUSED	12-28 VAC/VDC	1200	120
PM5-A17W110AC	X=0.31, Y=0.32	WHITE	WHITE DIFFUSED	110VAC	1200	120



## ABSOLUTE MAXIMUM RATINGS (Ta = 25°C)

MAXIMUM POWER DISSIPATION \_\_\_\_\_ 825 mW  
 OPERATING TEMPERATURE RANGE \_\_\_\_\_ -40°C ~ 95°C  
 STORAGE TEMPERATURE \_\_\_\_\_ -40°C ~ 100°C

STANDARD TOLERANCE (UNLESS OTHERWISE SPECIFIED) DECIMALS      ANGULAR		<b>BIVAR</b> <sup>®</sup> 4 THOMAS, IRVINE, CA. 92618 TEL: (949) 951-8808    FAX: (949) 951-3974	
DESIGNED: <b>R. Paje</b>		DATE: <b>02/23/11</b>	
CHECKED: <b>T. Yin</b>		DATE: <b>02/23/11</b>	
		CAGE CODE : <b>32559</b> SHEET # <b>2 OF 2</b>	
CAD GENERATED DOCUMENT. DO NOT MEASURE DRAWING.			