



Chipsmall Limited consists of a professional team with an average of over 10 year of expertise in the distribution of electronic components. Based in Hongkong, we have already established firm and mutual-benefit business relationships with customers from,Europe,America and south Asia,supplying obsolete and hard-to-find components to meet their specific needs.

With the principle of “Quality Parts,Customers Priority,Honest Operation,and Considerate Service”,our business mainly focus on the distribution of electronic components. Line cards we deal with include Microchip,ALPS,ROHM,Xilinx,Pulse,ON,Everlight and Freescale. Main products comprise IC,Modules,Potentiometer,IC Socket,Relay,Connector.Our parts cover such applications as commercial,industrial, and automotives areas.

We are looking forward to setting up business relationship with you and hope to provide you with the best service and solution. Let us make a better world for our industry!



Contact us

Tel: +86-755-8981 8866 Fax: +86-755-8427 6832

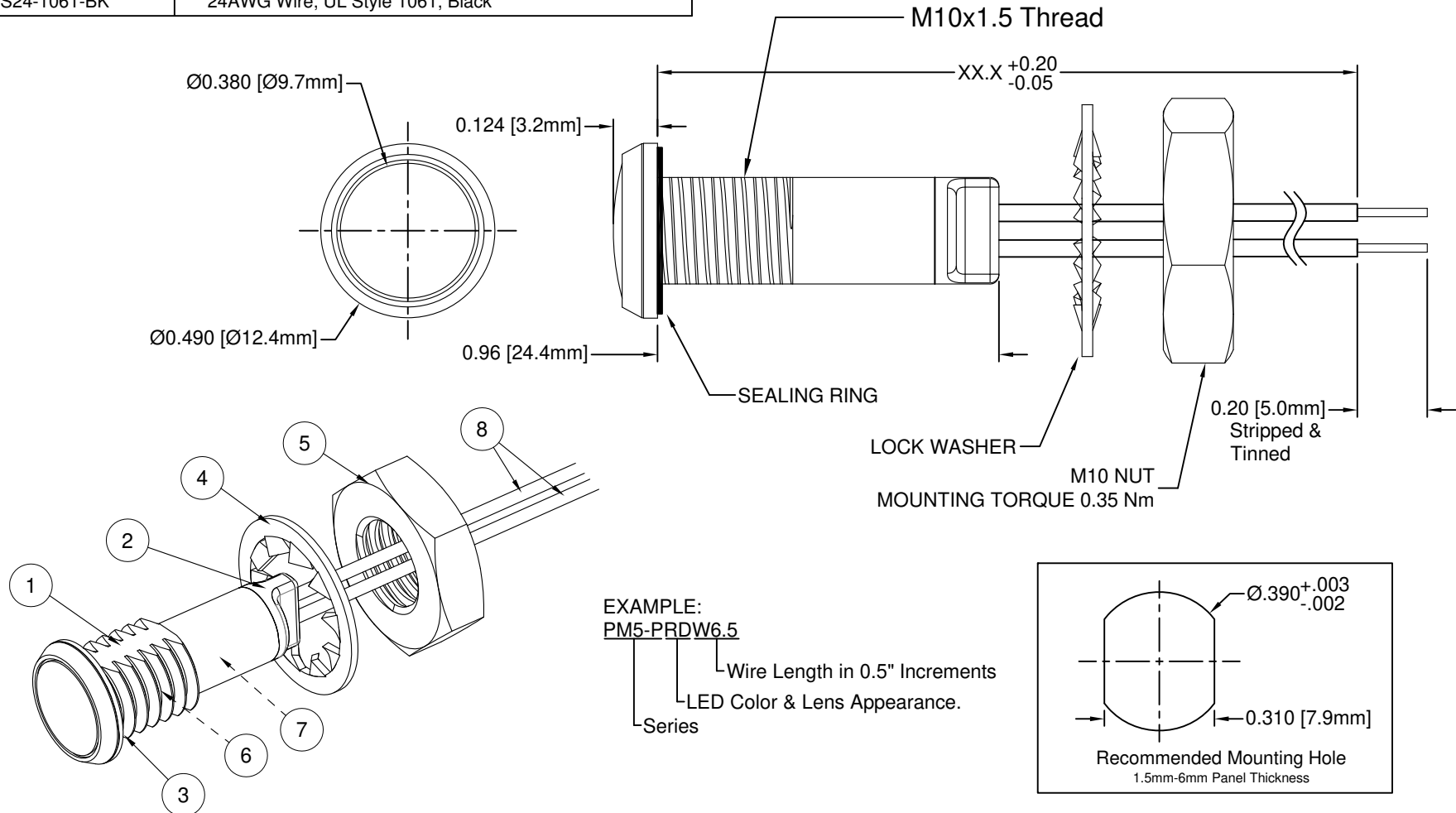
Email & Skype: info@chipsmall.com Web: www.chipsmall.com

Address: A1208, Overseas Decoration Building, #122 Zhenhua RD., Futian, Shenzhen, China



ITEM	Q'TY	PART NUMBER	PART DESCRIPTION
1	1	PM5-PE	5mm Polycarbonate Panel Mount Extended Housing
2	1	PM5-HP	5mm Panel Mount Wide Range Plug
3	1	PM5-VS	5mm Sealing Ring
4	1	WASH-1008	10mm Internal Tooth Lock Washer
5	1	NUT-1003	10mm Thin Nut
6	1	5XX	5mm LED, SEE SHEET #2
7	1	PCBA-1081	8~48V Universal Power Board
8	2	BWS24-1061-BK	24AWG Wire, UL Style 1061, Black

REV.	DESCRIPTION	DATE	APPROVED
A	Engineering Release	04/12/12	T. Y.
B	Updated Descriptions	03/21/13	T. Y.
C	Updated LED Optical Characteristics	09/15/15	J. C.



NOTES:

1. SEALED TO IP67 RATING
2. WIDE RANGE VOLTAGE INPUT, 8-48 VAC/VDC
3. BI-POLAR OPERATION
4. ROHS COMPLIANT
5. MOUNTING HARDWARE SHIPPED NON-ASSEMBLED
6. INSERT SEALING RING ON PANEL MOUNT PRIOR TO PANEL INSERTION

STANDARD TOLERANCE (UNLESS OTHERWISE SPECIFIED)		BIVAR®	
DECIMALS	ANGULAR	4 THOMAS, IRVINE, CA. 92618 TEL: (949) 951-8808 FAX: (949) 951-3974	
.X ± .1	X° ± 1°	TITLE: IP67 Rated Panel Mount Indicator w/ Wire PART NO: PM5-PXXXWXX.X REVISION: C	
.XX ± .02			
.XXX ± .010			
DESIGNED: T. Yin	DATE: 04/12/12	CAGE CODE : 32559	SHEET # 1 OF 2
CHECKED: B. Oliver	DATE: 04/12/12	CAD GENERATED DOCUMENT. DO NOT MEASURE DRAWING.	


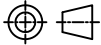
REV.	DESCRIPTION	DATE	APPROVED
	SEE SHEET #1		

Assembly Part Number	LED Part Number	Peak Wave Length λ_p (nm)	Emitted Color	Lens Appearance	Electro-Optical Data @ 20mA		Viewing Angle
					Typ Vf (VAC/VDC)	LED Iv (mcd)	
					TYP	TYP	
PM5-PADWXX.X	5AD	605	AMBER	WHITE DIFFUSED	8-48	25	120
PM5-PBWDWXX.X	5BWD0.345	430	BLUE	WHITE DIFFUSED	8-48	1000	120
PM5-PGDWXX.X	5SGD	568	GREEN	WHITE DIFFUSED	8-48	30	120
PM5-PHDWXX.X	5HD	625	HE RED	WHITE DIFFUSED	8-48	25	120
PM5-PPGDWXX.X	5PGD	555	PURE GREEN	WHITE DIFFUSED	8-48	10	120
PM5-PRDWXX.X	5SRD	645	RED	WHITE DIFFUSED	8-48	40	120
PM5-PYDWXX.X	5SYD	590	YELLOW	WHITE DIFFUSED	8-48	300	120

Assembly Part Number	LED Part Number	Color Temperature	Emitted Color	Lens Appearance	Electro-Optical Data @ 20mA		Viewing Angle
					Typ Vf (VAC/VDC)	LED Iv (mcd)	
					TYP	TYP	
PM5-PWDWXX.X	5UWD0.660N	5000K	NEUTRAL WHITE	WHITE DIFFUSED	8-48	1125	120

ABSOLUTE MAXIMUM RATINGS (Ta = 25°C)

MAXIMUM POWER DISSIPATION _____ 400 mW
 OPERATING TEMPERATURE RANGE _____ -30°C ~ 85°C
 STORAGE TEMPERATURE _____ -40°C ~ 85°C

STANDARD TOLERANCE (UNLESS OTHERWISE SPECIFIED) DECIMALS ANGULAR		 4 THOMAS, IRVINE, CA. 92618 TEL: (949) 951-8808 FAX: (949) 951-3974	
			
DESIGNED: T. Yin	DATE: 04/12/12	TITLE: IP67 Rated Panel Mount Indicator w/ Wire	
CHECKED: B. Oliver	DATE: 04/12/12	PART NO: PM5-PXXXWXX.X	REVISION: C
		CAGE CODE : 32559	SHEET # 2 OF 2
CAD GENERATED DOCUMENT. DO NOT MEASURE DRAWING.			