



Chipsmall Limited consists of a professional team with an average of over 10 year of expertise in the distribution of electronic components. Based in Hongkong, we have already established firm and mutual-benefit business relationships with customers from,Europe,America and south Asia,supplying obsolete and hard-to-find components to meet their specific needs.

With the principle of “Quality Parts,Customers Priority,Honest Operation,and Considerate Service”,our business mainly focus on the distribution of electronic components. Line cards we deal with include Microchip,ALPS,ROHM,Xilinx,Pulse,ON,Everlight and Freescale. Main products comprise IC,Modules,Potentiometer,IC Socket,Relay,Connector.Our parts cover such applications as commercial,industrial, and automotives areas.

We are looking forward to setting up business relationship with you and hope to provide you with the best service and solution. Let us make a better world for our industry!



Contact us

Tel: +86-755-8981 8866 Fax: +86-755-8427 6832

Email & Skype: info@chipsmall.com Web: www.chipsmall.com

Address: A1208, Overseas Decoration Building, #122 Zhenhua RD., Futian, Shenzhen, China



Shielded, SMT Power Inductors

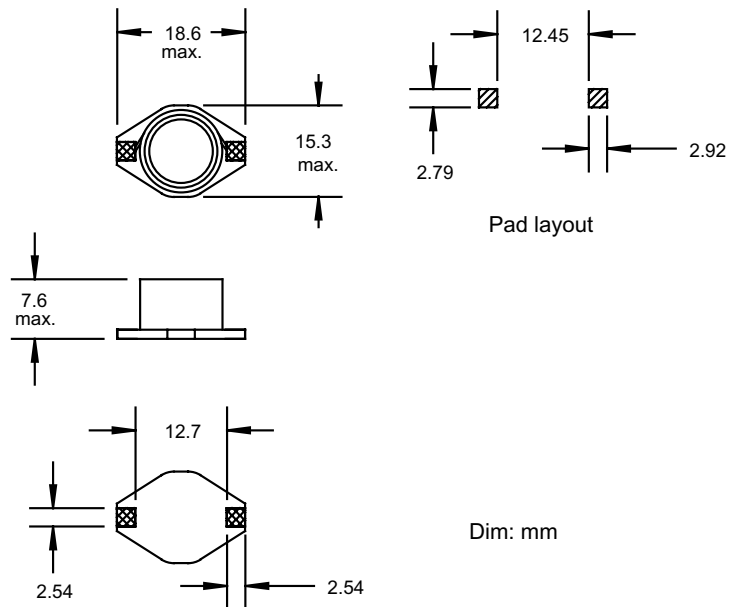
Special Features

- High current capacity
- Magnetically shielded
- Low DCR
- Ferrite bobbin core
- Compact size
- High heat resistance, ideal for reflow soldering
- High reliability
- Test frequency 100KHz
- Operating temperature -40 to +85°C
- Saturation current to cause 10% inductance drop
- Rms current to cause 40°C temperature rise
- Tape & reel packaged 250/reel

Typical Applications

- High reliability, low magnetic coupling and densely packed board design
- Small cell phones
- PDAs
- Pagers
- Flash memory programmers
- Notebook computers
- Battery chargers
- DC-DC converters
- Network cards
- Switching boards
- Industrial electronics
- Entertainment electronic devices

PM5022S Series				
Part Number	L (uH) ± 20%	DCR (Ω) Max.	I, sat. (A)	I, rms (A)
PM5022S-100M	10	0.04	8.0	3.9
PM5022S-150M	15	0.048	7.0	3.4
PM5022S-220M	22	0.059	6.0	3.1
PM5022S-330M	33	0.075	5.0	2.8
PM5022S-470M	47	0.097	4.0	2.4
PM5022S-680M	68	0.138	3.0	2.0
PM5022S-101M	100	0.207	2.4	1.7
PM5022S-151M	150	0.293	2.1	1.3
PM5022S-221M	220	0.47	1.9	1.1
PM5022S-331M	330	0.78	1.1	0.86
PM5022S-471M	470	1.08	1.1	0.73
PM5022S-681M	680	1.4	0.96	0.64
PM5022S-102M	1000	2.01	0.8	0.53



J.W. Miller
M A G N E T I C S

306 E. Alondra Blvd., Gardena, CA 90247-1059 • (310) 515-1720 • FAX (310) 515-1962

www.jwmiller.com