



Chipsmall Limited consists of a professional team with an average of over 10 year of expertise in the distribution of electronic components. Based in Hongkong, we have already established firm and mutual-benefit business relationships with customers from,Europe,America and south Asia,supplying obsolete and hard-to-find components to meet their specific needs.

With the principle of “Quality Parts,Customers Priority,Honest Operation,and Considerate Service”,our business mainly focus on the distribution of electronic components. Line cards we deal with include Microchip,ALPS,ROHM,Xilinx,Pulse,ON,Everlight and Freescale. Main products comprise IC,Modules,Potentiometer,IC Socket,Relay,Connector.Our parts cover such applications as commercial,industrial, and automotives areas.

We are looking forward to setting up business relationship with you and hope to provide you with the best service and solution. Let us make a better world for our industry!



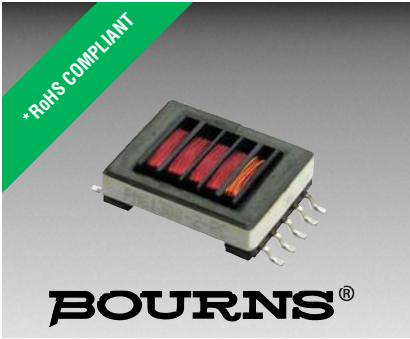
Contact us

Tel: +86-755-8981 8866 Fax: +86-755-8427 6832

Email & Skype: info@chipsmall.com Web: www.chipsmall.com

Address: A1208, Overseas Decoration Building, #122 Zhenhua RD., Futian, Shenzhen, China





Features

- Formerly J. W. Miller® model
- Power rating: 6 watts
- Operating frequency: 60 KHz ±25 %
- Tape and reel packaging
- RoHS compliant*

This series is currently available, but not recommended for new designs.

Applications

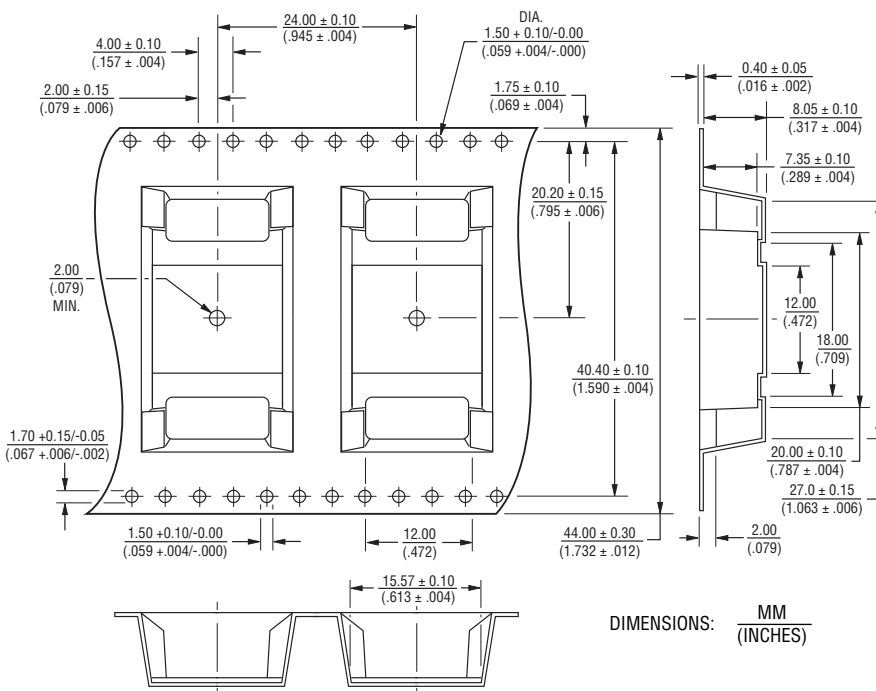
- LCD flat panel displays
- Notebook / palmtop computers
- Portable instruments
- Retail terminals

PM61300 Series - SMD CCFL Transformer

Electrical Specifications

Bourns Part No.	PRIMARY			SECONDARY			Turns Ratio
	L ±10 % @ 10 KHz (μH)	DCR Max. (Ω)	Voltage (V)	DCR Max. (Ω)	Voltage (V)	Irms (mA)	
PM61300-1-RC	44	0.61	25	132	1300	70	50
PM61300-2-RC	44	0.82	20	175	1300	70	67
PM61300-3-RC	27	1.10	15	175	1300	70	86
PM61300-4-RC	20	1.88	13	175	1300	70	100
PM61300-5-RC	20	2.34	10.5	290	1300	70	125

Packaging Specifications



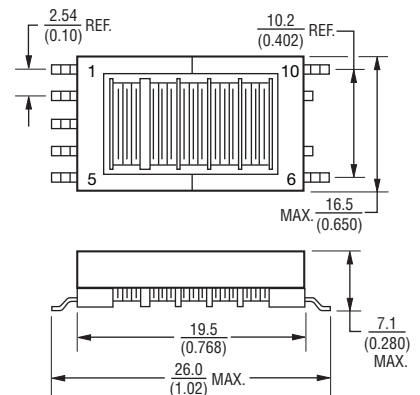
General Specifications

Operating Temperature -40 °C to +105 °C
 Storage Temperature -40 °C to +105 °C
 Soldering 245 °C, 5 seconds max.
 Dielectric Strength 1500 Vrms between windings

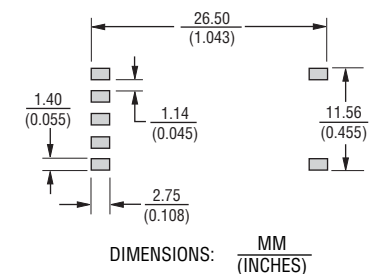
Materials

Core Ferrite
 Wire Polyester-coated copper
 Terminal Coating Sn
 Packaging 250 pcs. per 17-inch reel

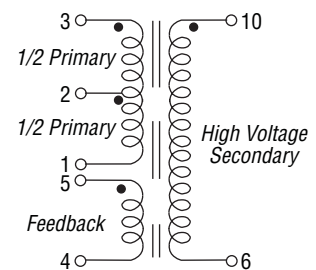
Product Dimensions



Recommended Pad Layout



Schematic



REV. 01/15

*RoHS Directive 2002/95/EC Jan. 27, 2003 including annex and RoHS Recast 2011/65/EU June 8, 2011. Specifications are subject to change without notice.

The device characteristics and parameters in this data sheet can and do vary in different applications and actual device performance may vary over time. Users should verify actual device performance in their specific applications.