



Chipsmall Limited consists of a professional team with an average of over 10 year of expertise in the distribution of electronic components. Based in Hongkong, we have already established firm and mutual-benefit business relationships with customers from,Europe,America and south Asia,supplying obsolete and hard-to-find components to meet their specific needs.

With the principle of "Quality Parts,Customers Priority,Honest Operation,and Considerate Service",our business mainly focus on the distribution of electronic components. Line cards we deal with include Microchip,ALPS,ROHM,Xilinx,Pulse,ON,Everlight and Freescale. Main products comprise IC,Modules,Potentiometer,IC Socket,Relay,Connector.Our parts cover such applications as commercial,industrial, and automotives areas.

We are looking forward to setting up business relationship with you and hope to provide you with the best service and solution. Let us make a better world for our industry!



Contact us

Tel: +86-755-8981 8866 Fax: +86-755-8427 6832

Email & Skype: info@chipsmall.com Web: www.chipsmall.com

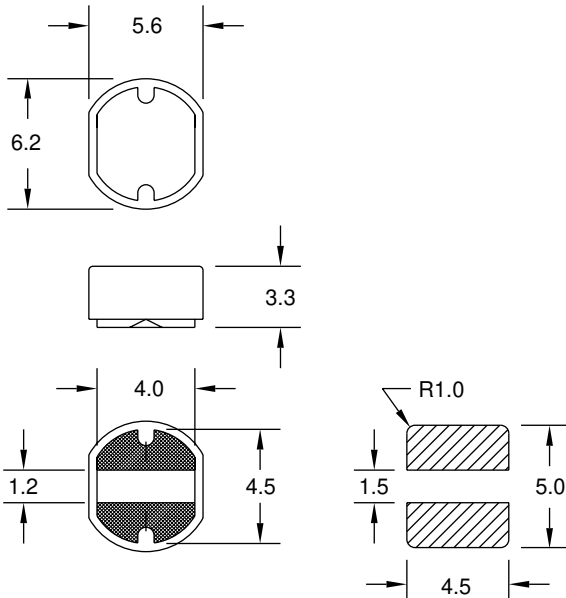
Address: A1208, Overseas Decoration Building, #122 Zhenhua RD., Futian, Shenzhen, China



Shielded, SMT Power Inductors

Special Features

- Magnetic shielded for low radiation
- Ferrite bobbin core
- Low core loss for high frequency power application
- Compact size
- Large terminal surface for good PCB bonding
- Operating temperature -30 to +100°C
- Current to cause maximum 10% of inductance drop, or 40°C temperature rise
- Tape & reel packaged 1500/ reel



Tol: ± 0.3
Dim: mm

Pad Layout

PM63S Series					
Part Number	L (uH) $\pm 20\%$	Test Freq.	SRF (MHz) Typ.	DCR (Ω) Max.	I, DC (A)
PM63S-100M	10	2.52 MHz	38	0.13	0.80
PM63S-120M	12	2.52 MHz	32	0.14	0.74
PM63S-150M	15	2.52 MHz	29	0.15	0.70
PM63S-180M	18	2.52 MHz	27	0.18	0.64
PM63S-220M	22	2.52 MHz	24	0.25	0.62
PM63S-270M	27	2.52 MHz	19	0.34	0.57
$\pm 15\%$					
PM63S-330L	33	2.52 MHz	17	0.37	0.52
PM63S-390L	39	2.52 MHz	17	0.39	0.45
PM63S-470L	47	2.52 MHz	16	0.43	0.40
PM63S-560L	56	2.52 MHz	14	0.50	0.37
PM63S-680L	68	2.52 MHz	13	0.53	0.35
PM63S-820L	82	2.52 MHz	12	0.75	0.32
$\pm 10\%$					
PM63S-101K	100	1 KHz	11	0.85	0.30

J.W. Miller
MAGNETICS

306 E. Alondra Blvd., Gardena, CA 90247-1059 • (310) 515-1720 • FAX (310) 515-1962

www.jwmiller.com